

ARHAUS®

your home

BEDROOM

Product Handouts | Assembly Guides

UPDATED 5/1/19

INDEX

A

Addison Handout (DISC) 1 - 2
Addison Storage Bed Assembly (DISC) 3 - 4
Addison Parts (DISC) 5
Adelaide Handout (DISC) 6
Adelaide Bed Assembly (DISC) 7 - 8
Adelaide Parts (DISC) 9
Amelia Handout (DISC) 10 - 11
Amelia Parts (DISC) 12
Andes Handout 13
Aventine Handout 14 - 15
Aventine King Bed 16 - 17
Aventine Queen Bed 18 - 19
Aventine Night Stand 20
Aventine Open Night Stand 21
Aventine Tall Dresser 22
Aventine Wide Dresser 23
Aventine Parts 24

B

Barnett Handout (DISC) 25 - 26
Barnett King Bed Assembly (DISC) 27 - 28
Barnett Queen Bed Assembly (DISC) 29 - 30
Barnett Parts (DISC) 31
Barrister Handout (DISC) 32
Barrister Bed Assembly (DISC) 33
Barrister Parts (DISC) 34
Beck Handout (DISC) 35
Beck King Bed Assembly (DISC) 36
Beck Queen Bed Assembly (DISC) 37
Beck Parts (DISC) 38
Bohdi Handout 39 - 40
Bohdi Bed Assembly 41- 48
Bohdi Parts 49

C

Celeste Handout 50
Chambers Handout 51

D

Devereaux Handout 52
Devereaux Parts 53

E

Eddie Handout 54
Evanston Handout (DISC) 55
Evanston Parts 56
Evelyn Handout 57 - 58
Evelyn Tipping Restraint 59 - 62
Evelyn Cheval Mirror Assembly 63 - 64
Evelyn Mirror Assembly 65
Evelyn King Bed Assembly 66 - 67
Evelyn Queen Bed Assembly 68 - 69
Evelyn Full Bed Assembly 70 - 71
Evelyn Twin Bed Assembly 72 - 73
Evelyn Parts 74

F

Felix Handout 75
Felix Storage Bed Assembly 76 - 80
Felix Parts 81

G

Genevieve Nightstand Assembly (DISC) 82
Genevieve Bed Assembly (DISC) 83
Genevieve Tall Dresser Assembly (DISC) 84
Genevieve Wide Dresser Assembly (DISC) 85
Genevieve Parts 86

H

Hana Handout (DISC) 87
Hayworth Handout 88
Henley Handout 89
Henley Parts 90
Hough Handout (DISC) 91
Hough Bed Assembly (DISC) 92 - 93

I

Isla Handout (DISC) 94 - 96
Isla Parts (DISC) 97

L

Lago Handout (DISC) 98
Langley Handout (DISC) 99
Langley Bed Assembly (DISC) 100
Lenox Handout 101 - 102
Lenox Mirror Assembly 103
Lenox Nightstand Assembly 104
Lenox Tall Chest Assembly 105
Lenox Wide Dresser Assembly 106
Lenox Parts 107
Lincoln Handout 108
Lincoln King Bed Assembly 109
Lincoln Queen Bed Assembly 110
Lincoln Parts 111
Loren Handout 112 - 113
Loren Bed Assembly 114 - 115
Loren Nightstand Assembly 116
Loren Open Nightstand Assembly 117
Loren Tall Dresser Assembly 118
Loren Wide Dresser Assembly 119
Loren Parts 120

M

Madaline Handout (DISC) 121
Mandara Handout 122
Mandara Bed Assembly 123 - 124
Mandara Parts 125
Mariah Handout 126
Maya Handout (DISC) 127
Maya Bed Assembly (DISC) 128 - 132
Mays Parts (DISC) 133

N

Nika Handout 134
Nika Parts 135
Nolan Handout 136
Nolan Parts 137

P

Palmer Handout 138 - 139
Palmer QN Storage Bed Assembly 140 - 142
Palmer Parts 143
Pearson Handout 144 - 145
Pearson Assembly 146 - 148
Pearson Low Foot-Board Assembly 149 - 151
Pearson KG Storage Bed Assembly 152 - 156
Pearson QN Storage Bed Assembly 157 - 161
Pearson Parts 162
Percy Handout 163
Percy Parts 164
Portier Handout 165
Portier Parts 166

R

Reese Handout 167
Reese 1 Drawer Nightstand Assembly 168
Reese 3 Drawer Chest Assembly 169 - 170
Reese Jewelry Chest Assembly 171 - 172
Reese 2 Drawer Nightstand 173
Reese Tall Dresser Assembly 174 - 175
Reese Wide Dresser Assembly 176 - 177
Reese Parts 178
Rondure Handout (DISC) 179
Rue Handout (DISC) 180
Russell Handout (DISC) 181- 183
Russell Parts (DISC) 184

S

St. Lucia Handout 185
St. Lucia Bed Assembly 186
St. Lucia Canopy Bed Assembly 187 - 188
St. Lucia Parts 189

T

Tinsley Handout 190
Tinsley 3 Drawer Chest Assembly 191
Tinsley 6 Drawer Chest Assembly 192
Tinsley King Bed Assembly 193 - 194
Tinsley Queen Bed Assembly 195 - 196
Tinsley Parts 197
Tremont Handout 198 - 199
Tremont KG/QN Bed Assembly 200
Tremont Twin Bed Assembly 201
Tremont Parts 202

Elite Motion Base Handout 203 - 206
Retreat Deluxe Motion Base Handout 207 - 210
Motion Base Assembly 211 - 224
Motion Base Selling Points 225
Retreat Mattress Handout 226 - 228
Eurotop Mattress Handout 229 - 230
Firm Mattress Handout 231 - 232
Memory Foam Mattress 233 - 234
Plush Mattress 235 - 236

DISCONTINUED

ARHAUS®

your home

addison

**King High-Footboard Bed**

80" w x 96.5" d x 54.75" h

Upholstered

Dry Branch Black	45ADDBUKKT2
Dry Branch Natural	45ADDNUKKT
Midnight Java	45ADDJUKKT
Weathered Taupe	45ADDWUKKT2
Storm Grey	45ADDSUKKT

Queen High-Footboard Bed

64.5" w x 96.5" d x 54.75" h

Upholstered

Dry Branch Black	45ADDBUQKT2
Dry Branch Natural	45ADDNUQKT
Midnight Java	45ADDJUQKT
Weathered Taupe	45ADDWUQKT2
Storm Grey	45ADDSUQKT

**King Low-Footboard Bed**

80" w x 93.5" d x 54.75" h

Upholstered

Dry Branch Black	45ADDBULKKT2
Dry Branch Natural	45ADDNULKKT
Midnight Java	45ADDJULKKT
Weathered Taupe	45ADDWULKKT2

Queen Low-Footboard Bed

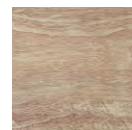
64.5" w x 93.25" d x 54.75" h

Upholstered

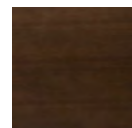
Dry Branch Black	45ADDBULQKT2
Dry Branch Natural	45ADDNULQKT
Midnight Java	45ADDJULQKT
Weathered Taupe	45ADDWULQKT2

Finishes:

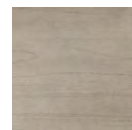
Dry Branch Black



Dry Branch Natural



Midnight Java



Weathered Taupe



Storm Grey

beds

- ▶ Available in king or queen sizes with high or low footboards.
- ▶ Beautiful, hand-carved detailing, like solid, beaded mouldings, accentuates each frame.
- ▶ Beds finished in Dry Branch Black are upholstered in ivory linen accented by pewter nailheads.
- ▶ Beds finished in Dry Branch Natural are upholstered in Tuscany Natural linen accented by polished nailheads.
- ▶ Beds finished in Midnight Java are upholstered in soft yet durable Dante Stone polyester accented by polished nailheads.
- ▶ Beds finished in Weathered Taupe are upholstered in soft yet durable Brussels Linen polyester accented by brushed nickel nailheads.
- ▶ Frames accommodate for variances in mattress sizes and allow bedding to be tucked in.

versatile handcrafted comfort

Handcrafted by Indonesian artisans, using traditional tools and woodworking techniques, our Addison Bedroom collection is built from locally grown, sustainably harvested mindi wood. Each piece in this versatile collection features hand-sculpted detailing and hand-applied finishes—stunning, natural wood surfaces are sanded, stained, and lacquered to achieve a charming transitional style that can easily complement any aesthetic.

product details

- ▶ Artisan-crafted frames are built by Indonesian craftsmen, using sustainably harvested, locally sourced mindi wood and veneers.
- ▶ Each piece is hand-sanded, hand-painted in rich tones, and brushed with lacquer for added protection and subtle sheen.
- ▶ This collection is artisan-crafted from natural materials with hand-applied finishes. Individual pieces may vary in color, pattern, shape, and texture, making each truly unique.
- ▶ Natural wood may display small splits, knots, joint lines, or other organic features that will not affect the quality or performance of your piece.



addison | bedroom collection | made in Indonesia

Dimensions may vary slightly. Please ensure furnishings fit through interior structures and into desired space before purchase.

DISCONTINUED

ARHAUS®

your home

**King Storage Bed**

80.75" w x 96.5" d x 54.75" h
 Dry Branch Natural 45ADDNSUKKT
 Weathered Taupe 45ADDWSUKKT
 Drawer interior: 33.25" w x 23.25" d x 5.75" h

Queen Storage Bed

64.5" w x 96.5" d x 54.75" h
 Dry Branch Natural 45ADDNSUQKT
 Weathered Taupe 45ADDWSUQKT
 Drawer interior: 33.25" w x 23.25" d x 5.75" h

storage beds

- ▶ Storage Bed bases feature four spacious drawers for added storage.
- ▶ Drawers are accentuated with brushed nickel pulls.

**11-Drawer Dresser**

67.75" w x 22.75" d x 53" h
 Dry Branch Natural 45ADDN11DR
 Weathered Taupe 45ADDW11DR

**2-Over-4-Drawer Dresser**

40.5" w x 22.75" d x 56.25" h
 Dry Branch Black 45ADDB24
 Dry Branch Natural 45ADDN24
 Midnight Java 45ADDJ24
 Weathered Taupe 45ADDW242
 Storm Grey 45ADDS24

**6-Drawer Dresser**

67.75" w x 22.75" d x 38.5" h
 Dry Branch Black 45ADDB6D
 Dry Branch Natural 45ADDN6DR
 Midnight Java 45ADDJ6DR
 Weathered Taupe 45ADDW6DR2
 Storm Grey 45ADDS6DR

case pieces

- ▶ Spacious, reinforced drawers provide convenient storage.
- ▶ Drawers operate on fully extending metal glides
- ▶ Pieces finished in Dry Branch Black, Dry Branch Natural, and Weathered Taupe are accentuated with brushed nickel hardware.
- ▶ Pieces finished in Midnight Java are accentuated with brushed brass hardware.

**3-Drawer Chest**

35" w x 19" d x 35" h
 Dry Branch Natural 45ADDN3DR
 Weathered Taupe 45ADDW3DR

**Lingerie Chest**

21.25" w x 20" d x 69" h
 Dry Branch Black 45ADDBLNG
 Dry Branch Natural 45ADDNLNG
 Midnight Java 45ADDJLNG
 Weathered Taupe 45ADDWLN2

armoire

- ▶ Pocket doors unfold and slide neatly out of sight.
- ▶ Doors feature floating-panel construction, allowing expansion and contraction in order to prevent warping.
- ▶ Interior includes solid wood T-shelf and removable hanging bar.
- ▶ Features a 37" w x 20" d x 39"-45" h cavity with shelf and bar removed.

**Nightstand Table**

26.75" w x 19.5" d x 29" h
 Dry Branch Black 45ADDBNT
 Dry Branch Natural 45ADDNNT
 Midnight Java 45ADDJNT
 Weathered Taupe 45ADDWNT2
 Storm Grey 45ADDSNT

**Storage Nightstand**

25.75" w x 19.5" d x 29" h
 Dry Branch Natural 45ADDNSNT
 Weathered Taupe 45ADDWSNT

nightstand table

- ▶ Features a pull-out tray, a drawer for hidden storage and an open display area.

storage nightstand

- ▶ Artisan-crafted to accommodate storage bed's drawers.

**Mirror**

38" w x 47" h
 Dry Branch Black 45ADDBMR
 Dry Branch Natural 45ADDNMR
 Midnight Java 45ADDJMR
 Weathered Taupe 45ADDWMR2

mirror

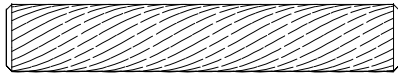
- ▶ The beveled glass mirror is encased by a thick, solid frame.
- ▶ Can be hung vertically or horizontally. Professional installation recommended.
- ▶ Weighs 48.5 lbs.

DISCONTINUED


Assembling Instruction Addison Storage Bed (719.629)


Hardware Kit (799.131)

A =  = 6 Pcs

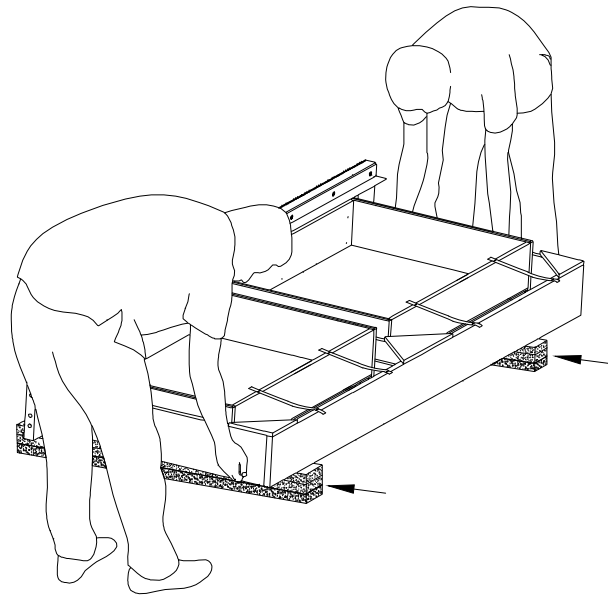
B =  = 12 Pcs

C =  = 8 Pcs

D =  = 8 Pcs

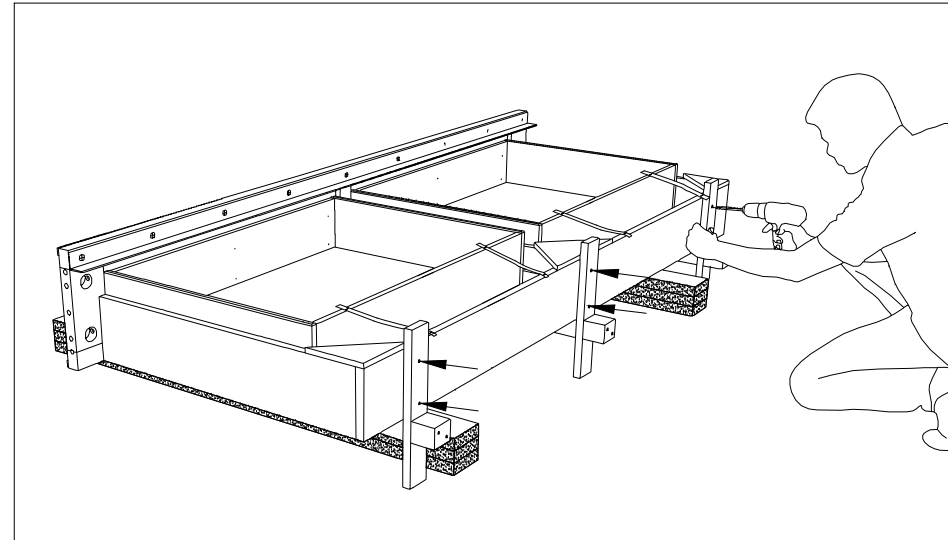
E =  = 1 Pc

1



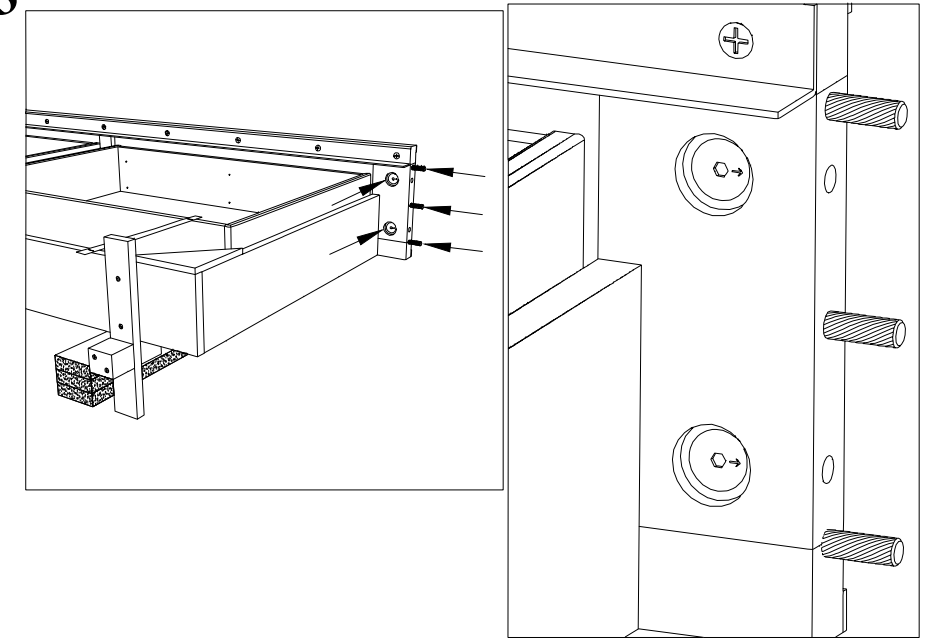
To assemble the bed, use two strips of the carton from the packing, place on the floor with one drawer unit on top.

2



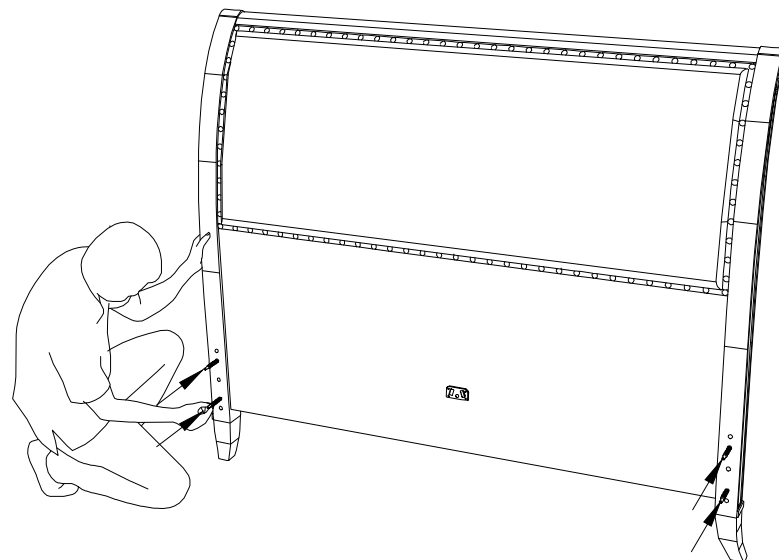
Install the three extra support legs using screw (A).

3



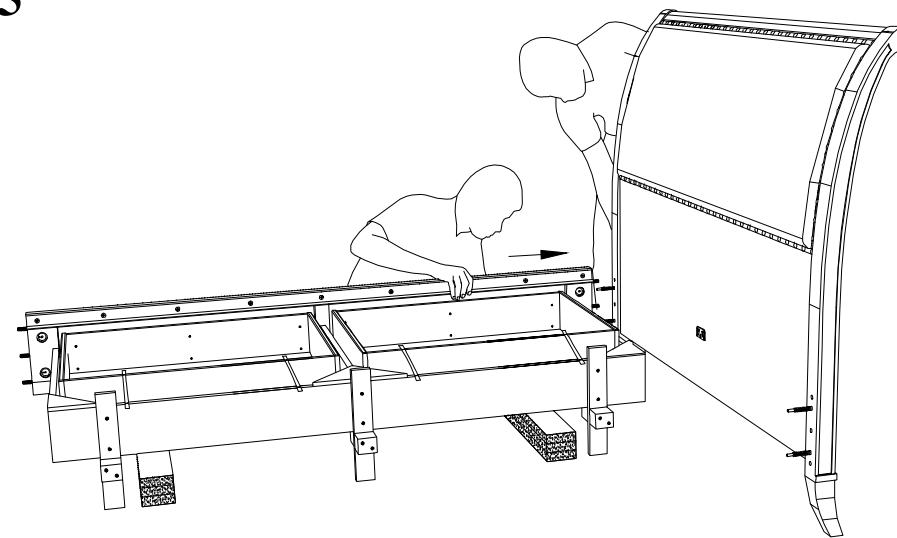
Install dowels (B) in the siderails and the cam locks (C) as shown above.

4

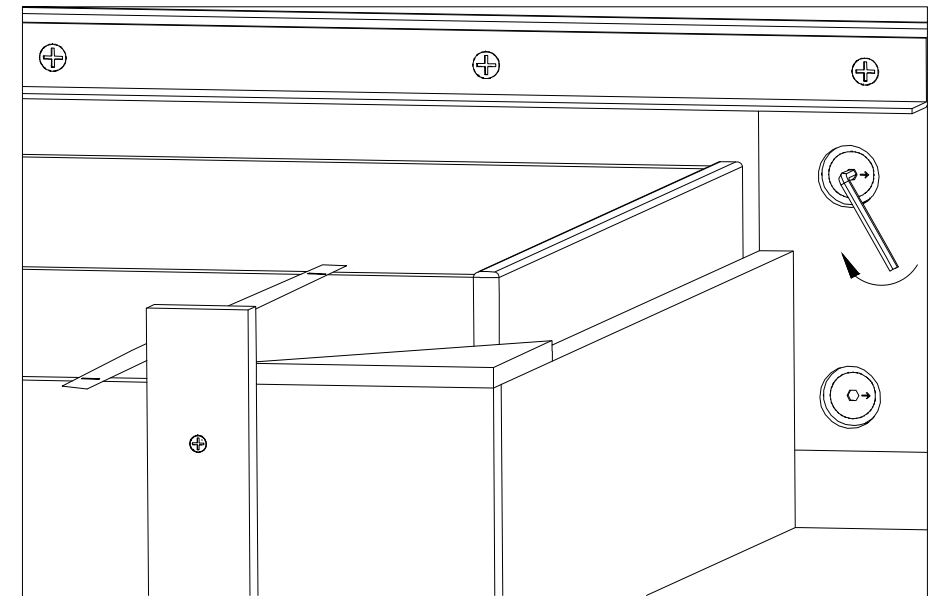


Install the bolts (D) in the headboard.

5

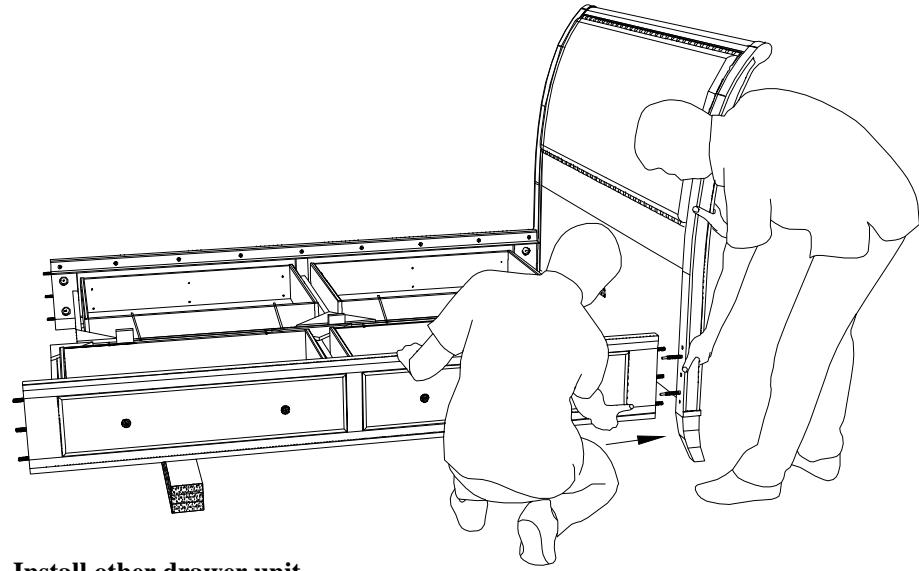


Attach siderails to headboard still with the carton under as support.



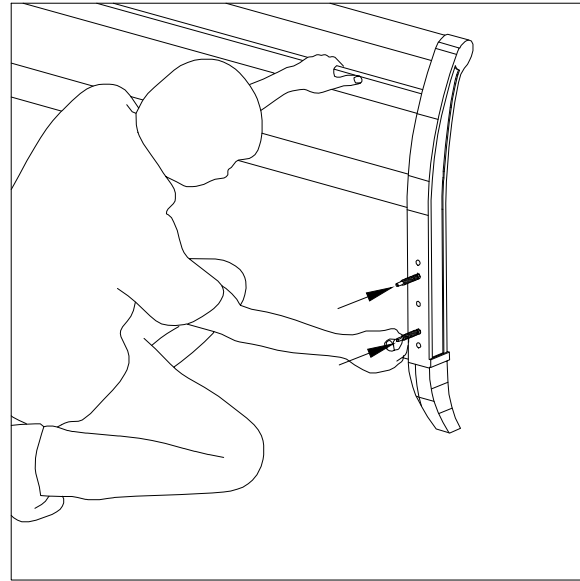
Tighten the cam locks by turning clockwise using hex key (E).

6



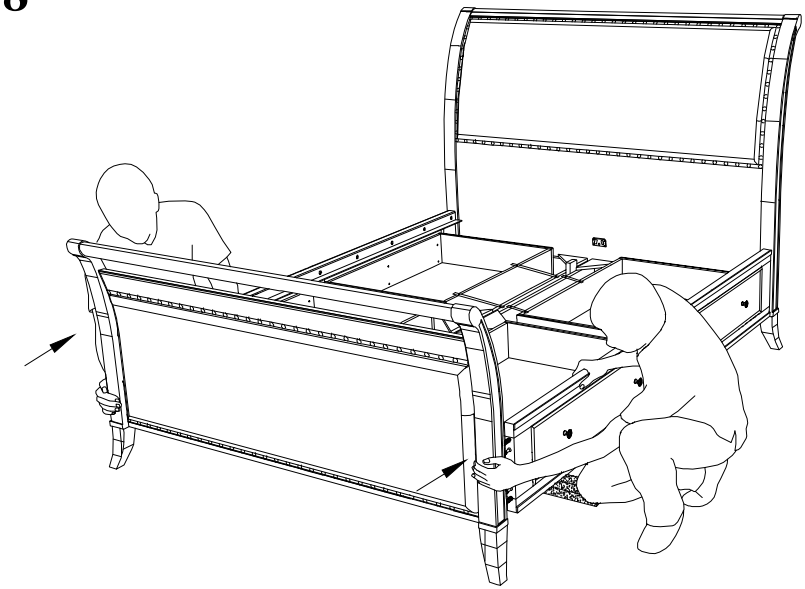
Install other drawer unit.

7



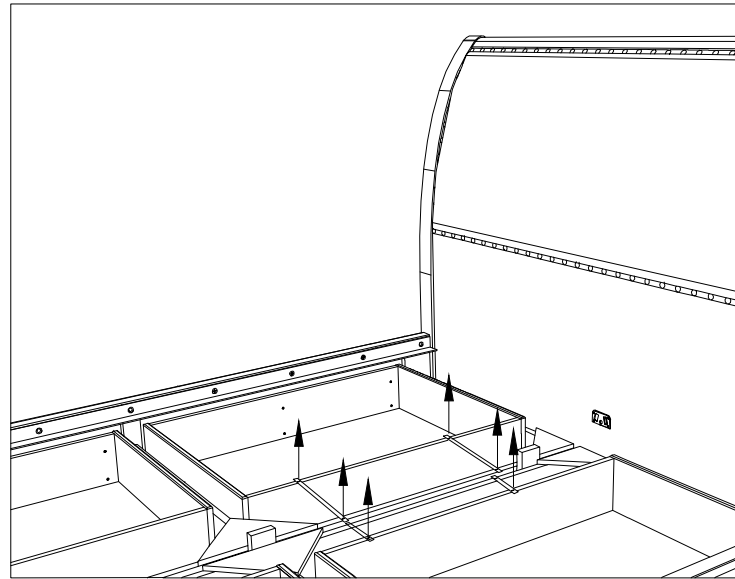
Install the bolts (D) in the footboard.

8



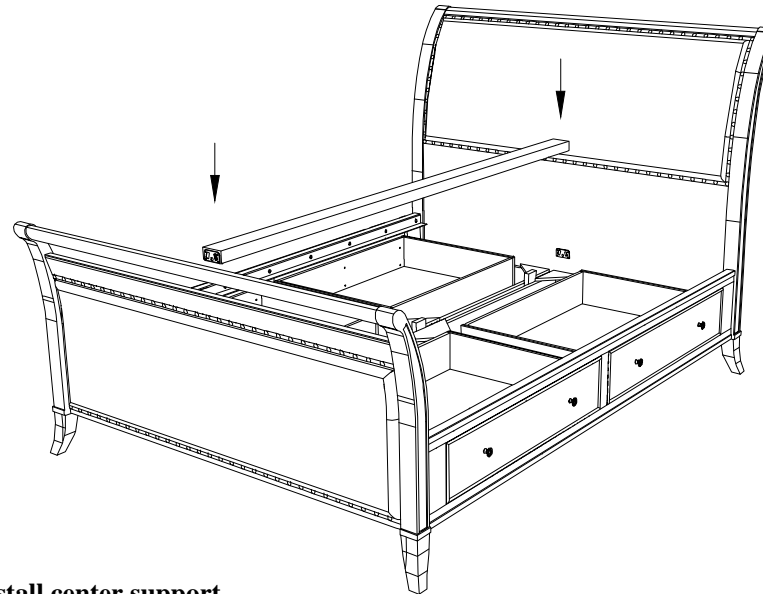
Attach footboard still with the carton under the drawer units, tighten the cam locks by turning clockwise using hex key (E).

9



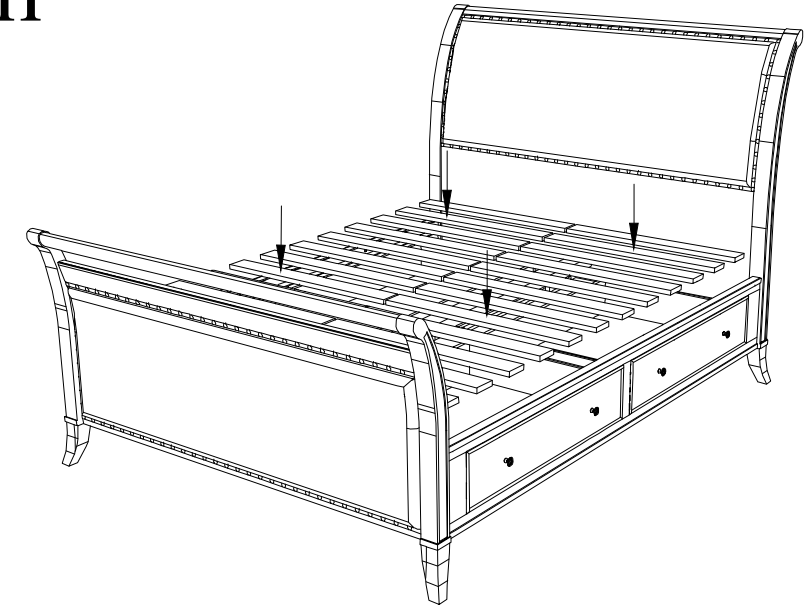
Remove the locks on the drawer by pulling the staples up.

10



Install center support.

11



Install slats.

BEDROOM PARTS SKUS

Super Category	Product ID	Description	Collection	Route
BEDROOM	91ADD14GLIDE	ADDISON 14" GLIDE QTY 1 = SET OF 2	PT-ADDISON	PART
BEDROOM	91ADDKGSLT	ADDISON BED SLATS KING	PT-ADDISON	PART
BEDROOM	91ADDQNSLT	ADDISON BED SLATS QUEEN	PT-ADDISON	PART
BEDROOM	91701406	ADDISON ARM BAR BRACKET BLACK	PT-ADDISON	PART
BEDROOM	91378ADDDRGLD	ADDISON ARM DOOR GLIDE QTY 1	PT-ADDISON	PART
BEDROOM	91378ADARMTV	ADDISON ARM TV STAND BRWN	PT-ADDISON	PART
BEDROOM	91378ADDBED	ADDISON BED ASSEMBLY HDW	PT-ADDISON	PART
BEDROOM	45ADDCNTLEG	ADDISON BED CNTR SUPPORT LEG	PT-ADDISON	PART
BEDROOM	91ADDSPRAIL	ADDISON BED CNTR SUPPORT RAIL	PT-ADDISON	PART
BEDROOM	91ADDBRKTSP	ADDISON BRACKET FR CNTR SUPPRT ATTACHES TO 91ADDSPRAIL	PT-ADDISON	PART
BEDROOM	45ADDBRASSLG	ADDISON KNOB BRASS LG FOR JAVA - ALL PIECES	PT-ADDISON	PART
BEDROOM	45ADDBRASSSM	ADDISON KNOB BRASS SM FOR JAVA - NIGHTSTAND TRAY	PT-ADDISON	PART
BEDROOM	45ADDBKNOBL	ADDISON KNOB NICKEL LG NAT, TAUPE, STRAT - ALL PIECES	PT-ADDISON	PART
BEDROOM	45ADDBKNOBS	ADDISON KNOB NICKEL SM NAT,TAUP, STRAT NGHTSTND TRAY	PT-ADDISON	PART
BEDROOM	91ADDGLIDE13	ADDISON LINGERIE DRW GLD 13	PT-ADDISON	PART

DISCONTINUED

ARHAUS®

your home

adelaide



Bed
 Queen 63.75" w x 83.75" d x 63.25" h 45ADELQNKT
 King 79.5" w x 83.75" d x 63.25" h 45ADELKGKT



8-Drawer Tall Chest
 40.25" w x 22" d x 50" h
 45ADEL8DRT



Floor Mirror
 44" w x 1.25" d x 84" h
 45ADELFLMR
Weighs 84 lbs.



9-Drawer Wide Dresser
 66.25" w x 22" d x 38" h
 45ADEL9DRW



Nightstand
 26" w x 20" d x 30" h
 45ADELNT

inspired living

Elevating furniture inspired by midcentury modern design, this artisan-crafted bedroom collection is expertly constructed and thoughtfully styled—combining a stunning array of complementary materials to create brilliantly layered finishes paired with contemporary functionality. Glass surfaces are beautifully hand-painted with a golden, floral, tile motif, which is then backed by hand-applied mirror eglomisé. This decorative technique is achieved by gilding the back of glass with metallic leaf—accentuating the painted finishes and providing an intriguing depth of detail.

product details

- ▶ Wooden frames are craftsman-built from solid poplar, with beech okoume veneer surfaces connected by mortise-and-dowel joinery for added stability.
- ▶ Beveled, hand-painted, mirrored surfaces feature an elegant gold, floral tile motif and stunning, hand-applied eglomisé.
- ▶ Eglomisé glass is gilded with metallic leaf, creating a mirrored appearance.
- ▶ Metal edges and hardware feature a polished brass finish.



adelaide | bedroom collection | made in Vietnam

Caution: Overtightening hardware can cause cracking. Dimensions may vary slightly. Please ensure furnishings fit through interior structures and into desired space before purchase.

Adelaide Bed

DISCONTINUED

Thank you for choosing this quality product. Be sure to check all packaging materials carefully for small parts that may have become loose during shipment and place all parts on a non-abrasive surface.

IMPORTANT :These parts can be cumbersome and heavy to some people, therefore the assistance of two or more people is recommended in order to prevent personal injury and ensure the furniture is not damaged during the assembly Process.

CARE INSTRUCTIONS








1. Dust often using a clean, soft, dry and lint-free cloth.
2. Blot spills immediately and wipe with a clean, damp, cloth.
3. We do not recommend the use of chemical cleansers, abrasives or furniture polish on our lacquered finish.

PART LIST

- A [1] HEADBOARD
- B [2] SIDERAILS
- C [1] FOOTBOARD
- D [7] BED SLATS
- E [1] SUPPORT SLAT
- F [4] BOTTOM RAILS
- G [8] PATCHING WOOD



HARDWARE LIST

NO.	DESCRIPTION		QTY
1		THREADED ROD	8 PCS
2		CURVED WASHER	8 PCS
3		LOCK WASHER	8 PCS
4		HEXAGONAL NUT	8 PCS
5		WRENCH	1 PC
6		ALLEN BOLT	8 PCS
7		ALLEN WRENCH	1 PC

DISCONTINUED

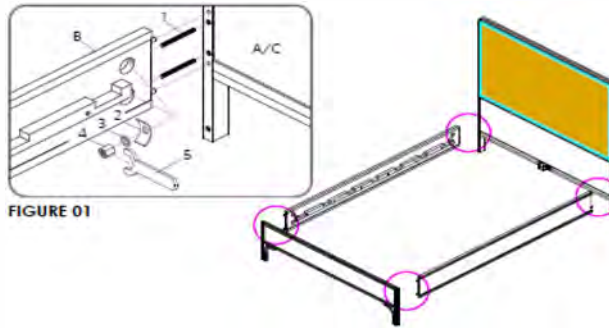


FIGURE 01

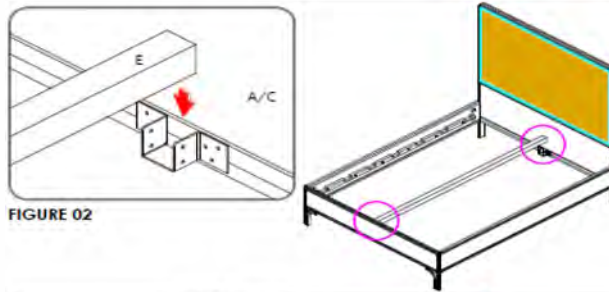


FIGURE 02

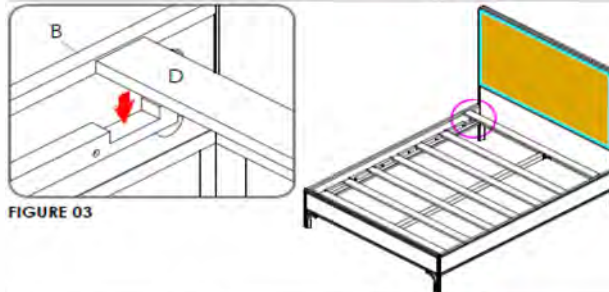


FIGURE 03

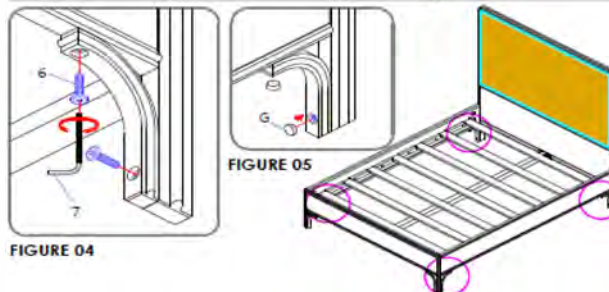


FIGURE 04

FIGURE 05

ASSEMBLY INSTRUCTION

The bed is composed of several components: The headboard, foot board, side rails, bed slats, support slats, bottom rails and patching wood. Determine the intended location and ensure there is enough space to work with and fully read these instructions before physically doing the entire assembly.

STEP #1:

Place the headboard (A) upright in the position you wish the bed to be in when fully assembled. The headboard bed fast hardware should be facing inside, toward the glass. Secure the threaded rod (1) to the fixed nut in the headboard (A) by simply turning it manually. Raise the side rail (B) up and place the rod (1) to align with the bore holes on the end of the side rails (B). Put the side rails (B) up against the headboard (A) so the threaded rods (1) go through the bore holes. Insert curved washer (2), lock washer (3) and place hex nuts (4) on threaded rod (1) then tighten the hex nuts (4) with wrench (5) provided, as illustrated in FIGURE 01.

STEP #2:

Repeat the above procedure with the other side rail (B) to attach it to the headboard (A), and then repeat to connect side rails (B) to the footboard (C).

STEP #3:

On inside face of both headboard (A) and footboard (C) are pre-installed wooden brackets for the support slat (E). Set the support slat (E) on the metal brackets, as illustrated in FIGURE 02.

STEP #4:

On inside surface of both side rails (B) are cavities designed to hold the individual bed slats (D). Set individual bed slats (D) on both cavities of the side rails (B) as illustrated in FIGURE 03.

STEP #5:

Assemble the bottom rails (F) as illustrated on FIGURE 4, using Allen bolt (6) provided.

STEP #6:

After assemble the bottom rails insert patching wood (G) as illustrated on FIGURE 5. Assembly is complete.

Thank you for your purchase

BEDROOM PARTS SKUS

Super Category	Product ID	Description	Collection	Route
BEDROOM	91ADELHW	ADELAIDE BED ASSEMBLY HARDWARE	PT-ADELAID	PART
BEDROOM	91ADELFLMRHS	ADELAIDE FL MIRROR HANGER SET	PT-ADELAID	PART
BEDROOM	91ADELQNHWS	ADELAIDE QUEEN BED ASSEMBLY HW BED ASSEMBLY HARDWARE	PT-ADELAID	PART

DISCONTINUED

ARHAUS®
FURNISHING A BETTER WORLD



AMELIA
bedroom collection
made in VIETNAM

Inspired by beautifully painted Swedish antiques,

our Amelia Bedroom Collection is defined by its meticulous detailing and artisan craftsmanship. Its timeless, transitional design is built to complement a myriad of styles and tastes, featuring classic hand-carved accents and finishes to accentuate your décor. Constructed from solid mahogany, selected for its beauty, durability and color,

the Amelia's elegant frames are painted with a multilayer, multi-tonal finish that is distressed by hand. Antiqued mirror tops are inset into the case pieces, finished with an aged patina to complement the wood's vintage feel.

ARTISAN FINISHED

Many of our pieces may vary slightly in color, pattern and texture due to the nature of multi-layered finishes that are hand-applied by our craftsmen. Hand-applied finishes may include some small splits, knots, joint lines and other natural properties that will add interest without affecting performance. Materials may also display movement from season to season because of changes in temperature and humidity. We believe these variances from piece to piece only add to an individual's unique, artisan-crafted character.

HANDCRAFTED QUALITY

Arhaus furniture is made with great care and attention to detail. Our collections are distinctive and designed to bring pleasure to you in your home for years to come. Each piece is handcrafted, made using traditional skills and techniques, and hand-painted, distressed and finished to ensure each item becomes an heirloom in your home.

RENEWABLE RESOURCES

Arhaus is unique in its commitment to preserving natural resources. Our Corporate Rainforest Policy states that we will not sell merchandise made of timber from the world's endangered rainforests. In all cases, the wood we use was harvested from renewable resources.

All dimensions can vary slightly due to the hand-built nature of our furniture.

DISCONTINUED**ARHAUS**
FURNISHING A BETTER WORLD**Writing Desk****Mirror****Nightstand****Chest****Dresser****Wardrobe****Nightstand**

25" w x 16" d x 29" h
45AMELIAWBT

Dresser

66" w x 19" d x 34.25" h
45AMELIAW6DR

Chest

42" w x 19" d x 34" h
45AMELIAWCH

Mirror

38" w x 1" d x 47" h
45AMELIAWMR

Wardrobe

42" w x 20" w x 56" h
45AMELIAWWD

Writing Desk

52" w x 24" d x 30" h
55AMELIAWDK

product details

- ▶ Available in a warm Ivory finish.
- ▶ Finished in a multi-layer process in which several tones of paints are applied and removed for an antiqued patina.
- ▶ A protective layer of lacquer is applied for added protection.
- ▶ Due to their handcrafted nature, finish details may vary.
- ▶ Handcrafted by artisans from solid mahogany wood and veneers.
- ▶ Built with a mortise-and-tenon construction for durability and years of use—Mortise-and-tenon assembly is one of the most effective methods of securing two pieces of wood that connect at a "t." The end of one piece is fashioned into a round or rectangular shape (tenon), which is designed to fit into the same size hole on the other end (mortise).
- ▶ Case-piece tops are inset with mirror surface with a hand-applied antiqued finish.
- ▶ Bronze hardware has an antiqued, painted finish.
- ▶ Drawers feature side-mounted glides.
- ▶ Wardrobe features a sliding glass door, to reveal spacious storage.

recommended care

- ▶ For daily maintenance, clean wood using a mild soap and water solution. Towel-dry immediately.
- ▶ Dust wood with a soft, dry cloth and buff periodically using a non-wax furniture polish such as Guardsman® Wood Polish.
- ▶ Spills should be removed immediately with a damp cloth.
- ▶ Do not use care products that contain ammonia or silicone as this will cut through the lacquer finish over time and damage your piece.
- ▶ Use coasters, trivets and felt pads under objects to preserve the finish of this piece.
- ▶ Never place hot dishes on surfaces; we recommend the use of felt-backed tablemats.
- ▶ Prolonged use of hot electrical equipment on top of furniture may also cause scorching.
- ▶ Always avoid exposure to direct sunlight or heat (e.g. by placing it in front of a radiator) as this can cause cracking and potential fading; a minimum 30 cm clearance from heat sources is advised.
- ▶ Do not drag piece(s) across the floor as this will cause damage or weaken joints.
- ▶ Dropping furniture onto corners or feet will cause damage.
- ▶ Toys, buckles and heels will scratch furnishings—try to prevent these objects from coming into contact with your piece(s).

BEDROOM PARTS SKUS

Super Category	Product ID	Description	Collection	Route
BEDROOM	91378AMELKEY	AMELIA ARMOIRE KEY	PT-AMELIA	PART
BEDROOM	911515GLD12	AMELIA GLIDE 12 NIGHTSTAND & WARDROBE	PT-AMELIA	PART
BEDROOM	911515GLD14	AMELIA GLIDE 14 DRESSER AND 3 DRAWER CHEST	PT-AMELIA	PART
BEDROOM	911515AMKNB	AMELIA KNOB NTSTAND CHEST DRESSR WARDROBE	PT-AMELIA	PART
BEDROOM	911515AMROLL	AMELIA WARDROBE DOOR ROLLER SLIDING DOOR ROLLER	PT-AMELIA	PART
BEDROOM	911515AMSHELF	AMELIA WARDROBE SHELF	PT-AMELIA	PART
BEDROOM	911515AMPEG	AMELIA WARDROBE SHELF PEGS 4PC	PT-AMELIA	PART
BEDROOM	911515AMPULL	AMELIA WARDROBE SLID DOOR PULL	PT-AMELIA	PART

ARHAUS®

your home

andes

**King Bed**

86" w x 94" d x 52" h

Variety Moss	45ANDESKG
Logan Whiskey	XA8LKB3*

Queen Bed

70" w x 94" d X 52" h

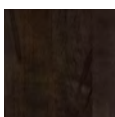
Variety Moss	45ANDESQN
--------------	-----------

Fabric:

Variety Moss

Leather:

Logan Whiskey

Finish:

Fossil

your style your way

Craft a custom design that tells your style story. This collection is available in special-order **Fabrics, Leathers, Finishes, and more.**

Ask in store or call **866.427.4287**

*available by special order

clean and modern

this bedroom collection infuses your space with sophistication. Its simple, silhouette is softened by subtle detailing and plush upholstery. A soft and pillowy headboard is painstakingly upholstered by hand, swathed in sumptuously soft fabric, adding a dramatic focal point that heightens the style of any well-dressed space. Thick layers of padding enfold all surfaces including the footboard and side rails, allowing this piece to float beautifully anywhere in your room.

product details

- ▶ Craftsman-built frames are constructed using solid, reinforced, laminate hardwood for lasting strength and superior stability.
- ▶ Solid hardwood panels rest on solid wood braces attached to the frame's side rails for reliable mattress support.
- ▶ Made in America—this collection was handcrafted by upholstery artisans in North Carolina.
- ▶ Arhaus upholstery is made using wood certified by the Sustainable Forestry Initiative.
- ▶ Lightly tapered solid wood feet enhance this collection's modern styling.
- ▶ Frames are padded in dense, eco-friendly foam and poly-fiber wrapped in casings that maintain the padding's shape.
- ▶ Bed frames include space to accommodate variances in mattress sizes and allow bedding to be tucked into frame.
- ▶ We recommend using with our Retreat 4" Platforms.
- ▶ King beds feature a frame cavity of 78.75" w x 82.75" d x 4" h.
- ▶ Queen beds feature a frame cavity of 62.75" w x 82.75" d x 4" h.
- ▶ Keep your furniture looking its best. Visit arhaus.com or speak to any Arhaus Design Consultant for care recommendations.



andes | camden bedroom collection | made in America

Dimensions may vary slightly. Please ensure furnishings fit through interior structures and into desired space before purchase.

ARHAUS®

your home

aventine



King Bed
79.75" w x 85" d x 56" h
45AVENKG

California King Bed
75.75" w x 87" d x 56" h
45AVENCK

Queen Bed
63.75" w X 84.875" d X 56" h
45AVENQN

contemporary old world aesthetics

Inspired by chevron patterns found in the floors of wealthy Spanish homes and throughout Western Europe from the 16th to 18th centuries—our Aventine collection mimics the charm of old world parquetry and the dark, rich textures of floor boards that have aged and built character over years of history. Craftsman-built from solid oak surfaced with quarter oak veneers, this stunning collection is finished by artisan hands with a lush, dark tone accented by subtly weathered brass hardware. Finished pieces are carefully sealed and coated with clear lacquer for added protection and a subtle sheen—evoking a cleaner, more contemporary feel.

product details

- ▶ Our Aventine collections is crafted by Vietnamese artisans from solid oak surfaced with quarter oak veneers for a smooth and elegant finish.
- ▶ Dark-toned finishes are applied by hand, sealed, and coated with clear lacquer for added protection and a subtle sheen that evokes a clean and contemporary aesthetic.
- ▶ Old world Western European designs are accented by subtly weathered brass hardware that enhances rich finishes without drawing too much attention.
- ▶ Drawers built with French dovetail joinery at the front and English dovetails at the back are mounted on full-extension, soft-close glides.
- ▶ Queen bed frame cavity measures 61" w x 80.5" d
- ▶ King bed frame cavity measures 77" w x 80.5" d
- ▶ California King bed frame cavity measures 73" w x 84.5" d
- ▶ Keep your furniture looking its best. Visit arhaus.com or speak to any Arhaus Design Consultant for care recommendations.



ARHAUS®

your home



Tall Dresser
44" w x 20" d x 52" h
45AVENTD



Wide Dresser
66" w x 20" d x 34.5" h
45AVENWD



Nightstand
30" w x 20" d x 24" h
45AVENNT



Open Nightstand
26" w x 20" d x 24" h
45AVENONT

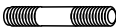





ARHAUS®

your home

AVENTINE KING/ CAL KING BED

Thank you for choosing this quality product. Be sure to check all packaging materials carefully for small parts that may have become loose during shipment and place all parts on a non-abrasive surface.

!WARNING: These bed parts can be cumbersome and heavy to some people, therefore the assistance of two or more people is recommended in order to prevent personal injury and ensure the bed are not damaged during the assembly process.

PARTS INCLUDED	HARDWARE PARTS	91AVENK GASHW
A. HEADBOARD	1. [8] THREADED ROD	
B. FOOTBOARD	2. [8] HEX NUTS	
C. SIDE RAILS	3. [8] LOCK WASHER	
D. SUPPORT SLAT	4. [8] CURVED SLOTTED WASHER	
E. LEG	5. [1] WRENCH	
F. PLAT FORM PANEL	6. [4] SCREW	

ASSEMBLY INSTRUCTION

STEP 1:

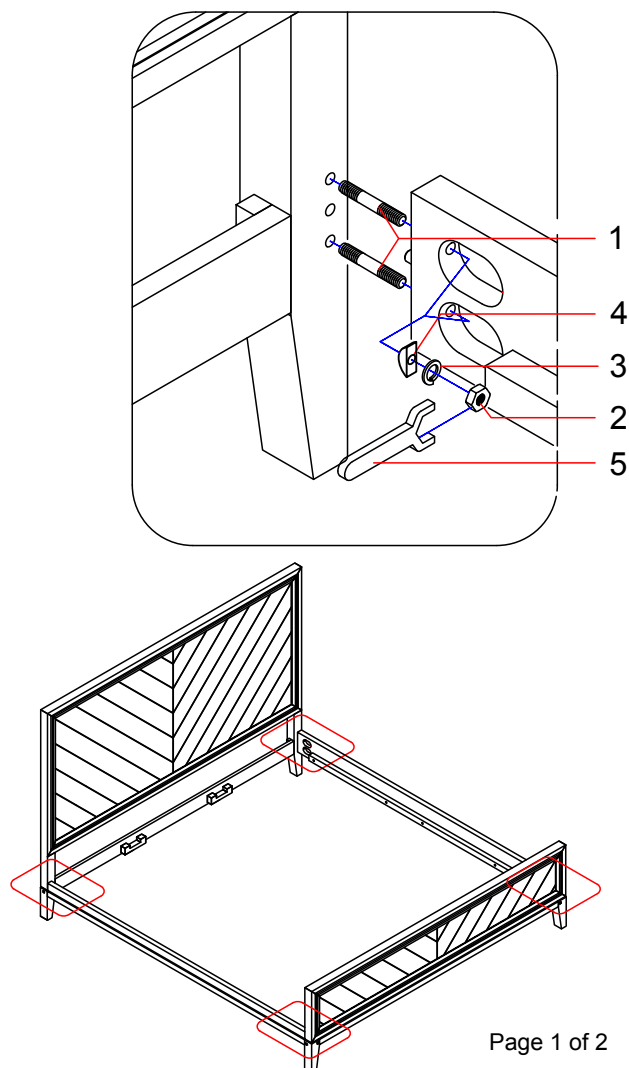
Place the Headboard (A) upright in the position you wish the bed to be in when fully assembled. The headboard bed fast hardware should be facing inside, toward the mattress. Secure the Threaded Rod (1) to the fixed nut in the Headboard (A) by simply turning it manually. Raise the Side Rail (C) up and set the Rod (1) to align with the bore holes on the end of the Side Rails (C). Put the Side Rails (C) up against the Headboard (A) so the Threaded Rod (1) go through the bore hole. Insert Curved Slotted Washer (4) and Lock Washer (3), then engage Hexagonal Nuts (2) on Threaded Rod (1) and tighten the Hexagonal Nuts (2) with Open Wrench (5), as illustrated in FIGURE 01.

STEP 2:

Repeat the above procedure with the other Side Rail (C) to attach it to the Headboard (A), and then repeat to connect Side Rails (C) to the foot board (B).

NOTE: Tighten all the nuts to snug fit.

FIGURE 01



ARHAUS®

your home

AVENTINE KING/ CAL KING BED

STEP 3:

Set the Support Slats (D) on the metal brackets of both Headboard (A) and Foot Board (B) but before that, install the Leg (E) on the center cavity of Support Slats (D) as shown in FIGURE 02 (FIGURE 02-A - FIGURE 02-B).

FIGURE 02

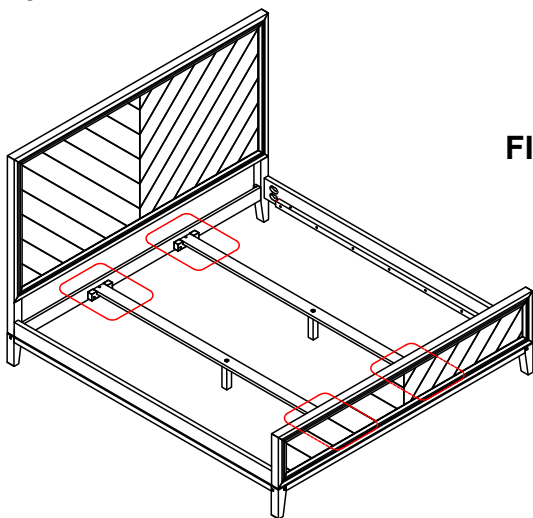


FIGURE 02 - A

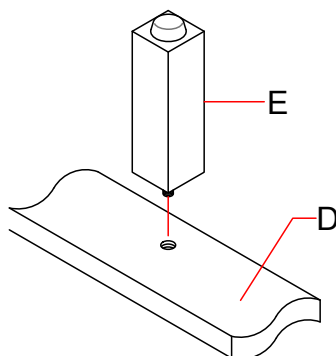
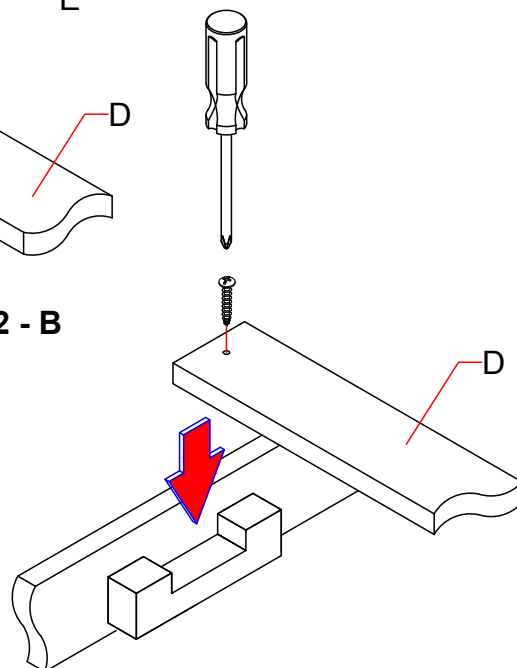


FIGURE 02 - B



STEP 4:

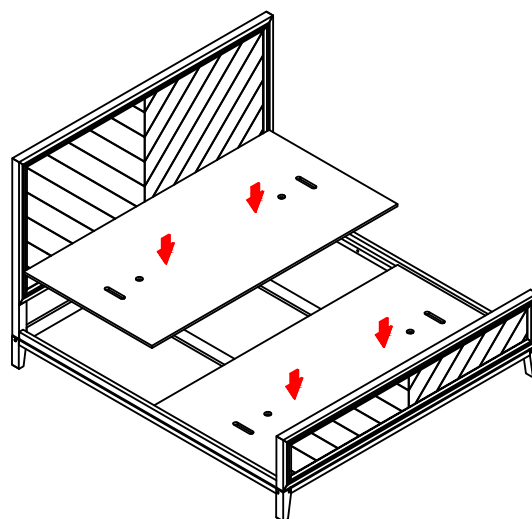
On inside face of both Side Rails (C) there is a cleat pre-installed designed to hold the Plat Form Panel (F).

Gently set the Plat Form Panel (F) on both sides of the Side Rails (C) as shown in FIGURE 03.

CARE INSTRUCTIONS

- Hardware may loosen over time, periodically check that all connections are tight or tighten them if necessary.
- Wipe with a soft, dry cloth, to protect the finish and avoid the use of all chemicals or any household cleaners.

FIGURE 03



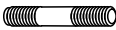





ARHAUS[®]

your home

AVENTINE QUEEN BED

Thank you for choosing this quality product. Be sure to check all packaging materials carefully for small parts that may have become loose during shipment and place all parts on a non-abrasive surface.

!WARNING: These bed parts can be cumbersome and heavy to some people, therefore the assistance of two or more people is recommended in order to prevent personal injury and ensure the bed are not damaged during the assembly process.

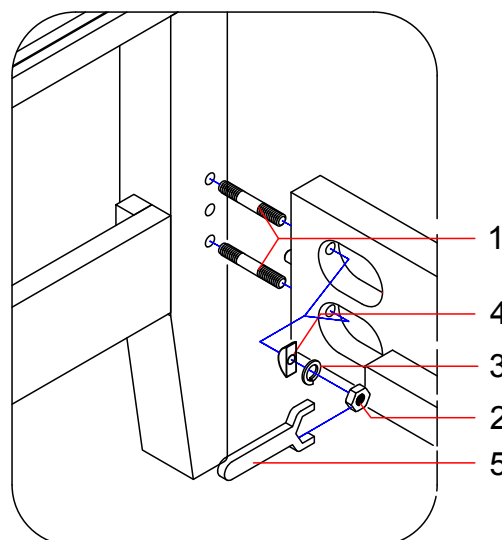
PARTS INCLUDED	HARDWARE PARTS	91AVENQNASHW
A. HEADBOARD	1. [8] THREADED ROD	
B. FOOTBOARD	2. [8] HEX NUTS	
C. SIDE RAILS	3. [8] LOCK WASHER	
D. SUPPORT SLAT	4. [8] CURVED SLOTTED WASHER	
E. LEG	5. [1] WRENCH	
F. PLAT FORM PANEL	6. [2] SCREW	

ASSEMBLY INSTRUCTION

STEP 1:

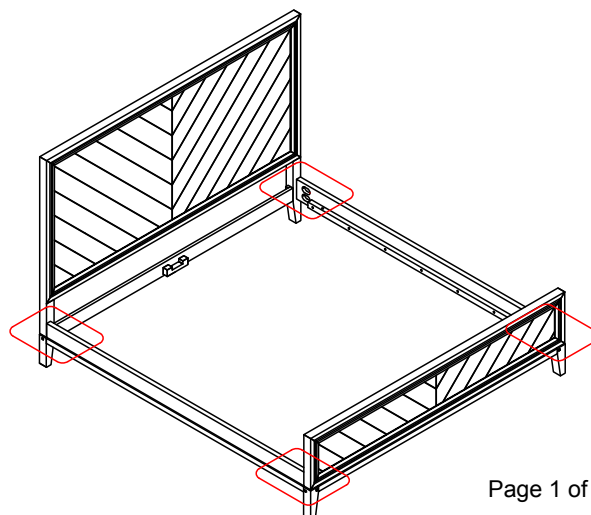
Place the Headboard (A) upright in the position you wish the bed to be in when fully assembled. The headboard bed fast hardware should be facing inside, toward the mattress. Secure the Threaded Rod (1) to the fixed nut in the Headboard (A) by simply turning it manually. Raise the Side Rail (C) up and set the Rod (1) to align with the bore holes on the end of the Side Rails (C). Put the Side Rails (C) up against the Headboard (A) so the Threaded Rod (1) go through the bore hole. Insert Curved Slotted Washer (4) and Lock Washer (3), then engage Hexagonal Nuts (2) on Threaded Rod (1) and tighten the Hexagonal Nuts (2) with Open Wrench (5), as illustrated in FIGURE 01.

FIGURE 01



STEP 2:

Repeat the above procedure with the other Side Rail (C) to attach it to the Headboard (A), and then repeat to connect Side Rails (C) to the foot board (B).



NOTE: Tighten all the nuts to snug fit.

ARHAUS[®]

your home

AVENTINE QUEEN BED

STEP 3:

Set the Support Slats (D) on the metal brackets of both Headboard (A) and Foot Board (B) but before that, install the Leg (E) on the center cavity of Support Slats (D) as shown in FIGURE 02 (FIGURE 02-A - FIGURE 02-B).

FIGURE 02

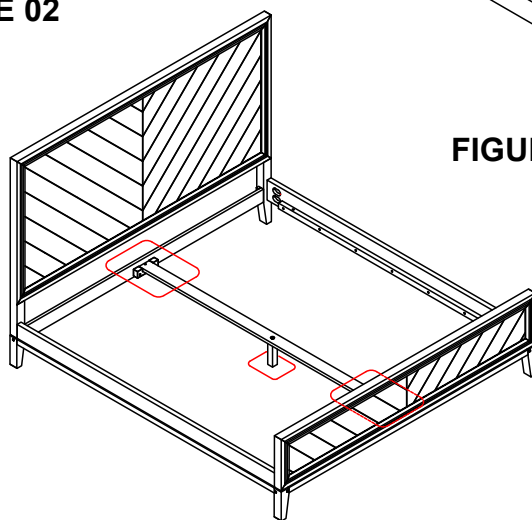


FIGURE 02 - A

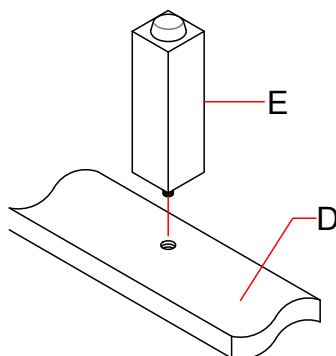
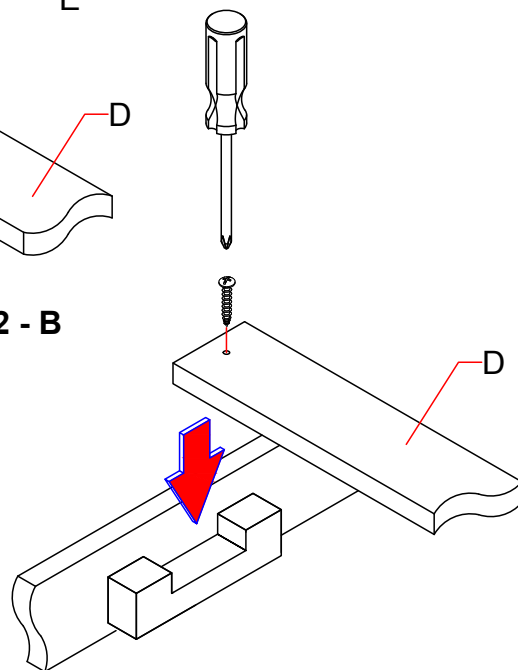


FIGURE 02 - B



STEP 4:

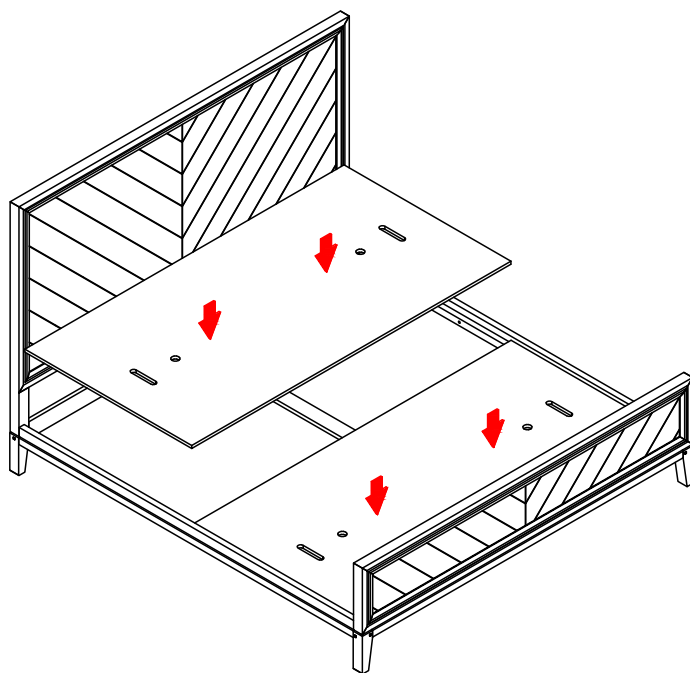
On inside face of both Side Rails (C) there is a cleat pre-installed designed to hold the Plat Form Panel (F).

Gently set the Plat Form Panel (F) on both sides of the Side Rails (C) as shown in FIGURE 03.

CARE INSTRUCTIONS

- Hardware may loosen over time, periodically check that all connections are tight or tighten them if necessary.
- Wipe with a soft, dry cloth, to protect the finish and avoid the use of all chemicals or any household cleaners.

FIGURE 03



ARHAUS®

your home

AVENTINE NIGHTSTAND

Thank you for choosing this quality product. Be sure to check all packaging materials carefully for small parts that may have become loose during shipment and place all parts on a non-abrasive surface.

⚠️ WARNING: These case parts can be cumbersome and heavy to some people, therefore the assistance of two or more people is recommended in order to prevent personal injury and ensure the case are not damaged during the assembly process.

HARDWARE LIST

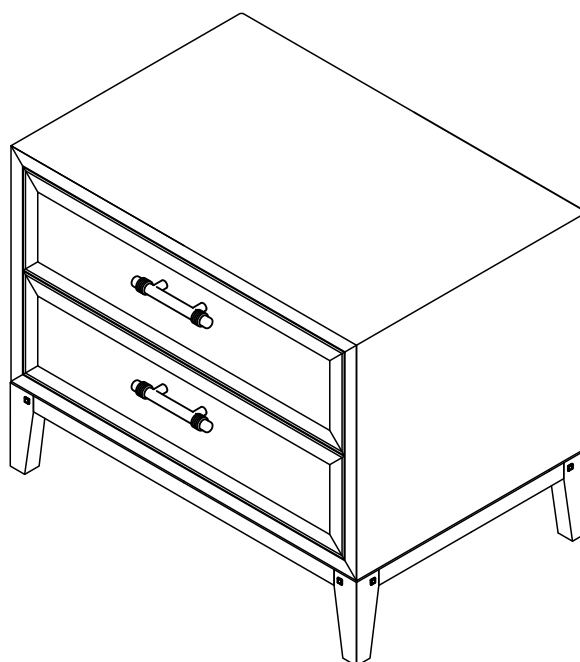
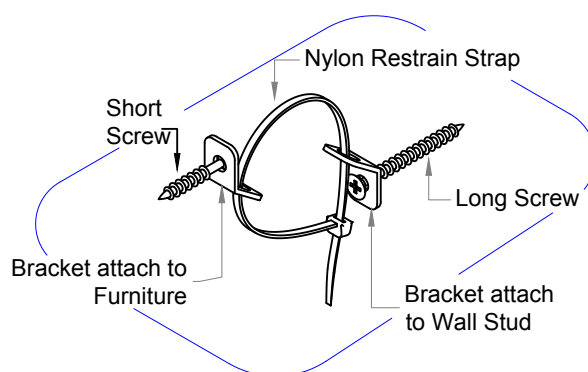
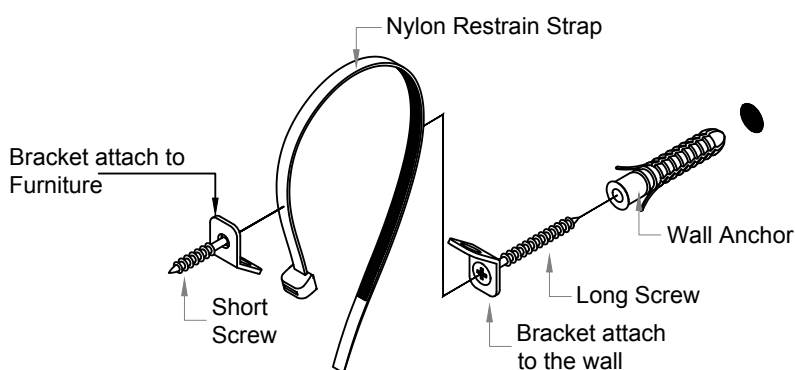
- [4] BRACKET
- [2] RESTRAINT STRAP
- [4 SHORTER] PHILIPS SCREWS
- [4 LONGER] PHILIPS SCREWS
- [4] PLASTIC ANCHOR

INSTALLATION INSTRUCTIONS

1. Attach two of the mounting brackets near the top back edge of the furniture piece using the shorter screw.
2. Determine the final position of the furniture piece and mark locations on the wall approximately 2" below the brackets mounted to the back of the furniture piece.
3. Drill a shorter hole into the dry wall stud. If wall stud is not available, drill a hole into the solid wall and insert plastic anchor. Gently tap the anchor until the flange is flush with the wall.
4. Attach the second set of brackets using the longer screw through the bracket hole and into the wall.
5. Place the furniture so that the brackets on the back edge are in line with the brackets in the wall.
6. Lace one end of the nylon restraint strap down through each bracket. Bring both ends together and slide the beaded end until it snap locks into the keyhole slot.
7. To double lock; return the beaded end back through the keyholes as shown.
8. Check to make sure the straps are securely laced and locked to the brackets.

CARE INSTRUCTIONS

- Dust often using a clean, soft, dry lint-free cloth.
- Blot spills immediately, and wipe with a clean, damp, cloth.
- We do not recommend the use of chemical cleansers, abrasives, or furniture polish on our lacquered finish.



Thank you for your purchase
www.arhaus.com

ARHAUS®

your home

AVENTINE OPEN NIGHTSTAND

Thank you for choosing this quality product. Be sure to check all packaging materials carefully for small parts that may have become loose during shipment and place all parts on a non-abrasive surface.

⚠️ WARNING: These case parts can be cumbersome and heavy to some people, therefore the assistance of two or more people is recommended in order to prevent personal injury and ensure the case are not damaged during the assembly process.

HARDWARE LIST

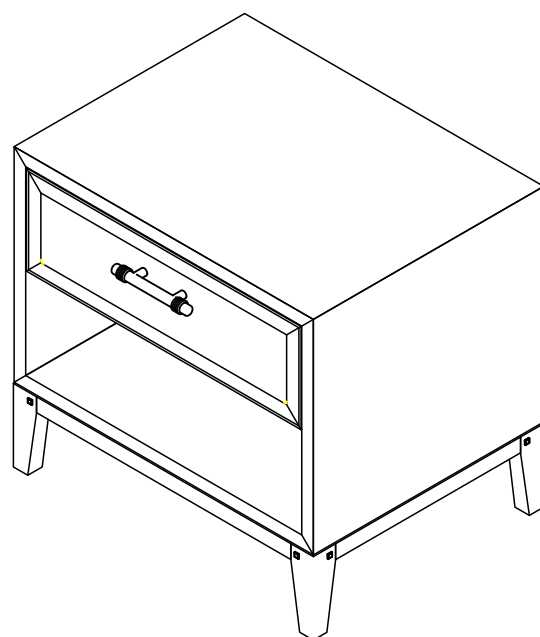
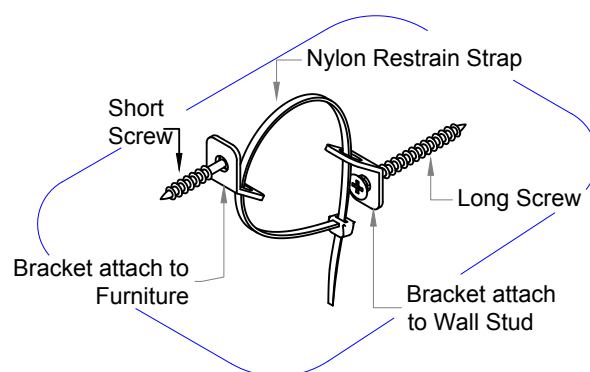
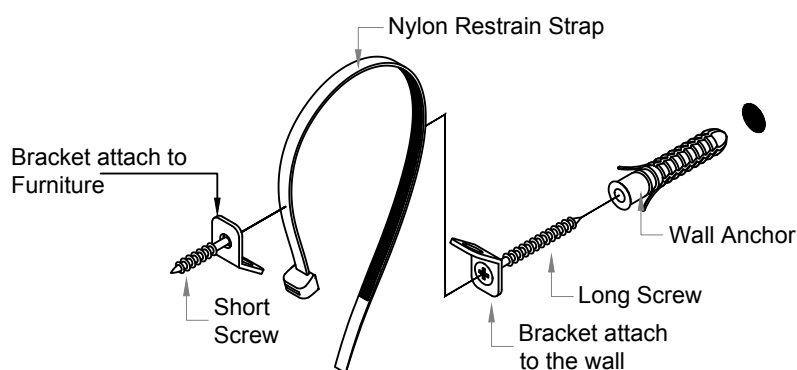
- [4] BRACKET
- [2] RESTRAINT STRAP
- [4 SHORTER] PHILIPS SCREWS
- [4 LONGER] PHILIPS SCREWS
- [4] PLASTIC ANCHOR

INSTALLATION INSTRUCTIONS

1. Attach two of the mounting brackets near the top back edge of the furniture piece using the shorter screw.
2. Determine the final position of the furniture piece and mark locations on the wall approximately 2" below the brackets mounted to the back of the furniture piece.
3. Drill a shorter hole into the dry wall stud. If wall stud is not available, drill a hole into the solid wall and insert plastic anchor. Gently tap the anchor until the flange is flush with the wall.
4. Attach the second set of brackets using the longer screw through the bracket hole and into the wall.
5. Place the furniture so that the brackets on the back edge are in line with the brackets in the wall.
6. Lace one end of the nylon restraint strap down through each bracket. Bring both ends together and slide the beaded end until it snap locks into the keyhole slot.
7. To double lock; return the beaded end back through the keyholes as shown.
8. Check to make sure the straps are securely laced and locked to the brackets.

CARE INSTRUCTIONS

- Dust often using a clean, soft, dry lint-free cloth.
- Blot spills immediately, and wipe with a clean, damp, cloth.
- We do not recommend the use of chemical cleansers, abrasives, or furniture polish on our lacquered finish.



Thank you for your purchase
www.arhaus.com

ARHAUS®

your home

AVENTINE TALL DRESSER

Thank you for choosing this quality product. Be sure to check all packaging materials carefully for small parts that may have become loose during shipment and place all parts on a non-abrasive surface.

⚠️ WARNING: These case parts can be cumbersome and heavy to some people, therefore the assistance of two or more people is recommended in order to prevent personal injury and ensure the case are not damaged during the assembly process.

HARDWARE LIST

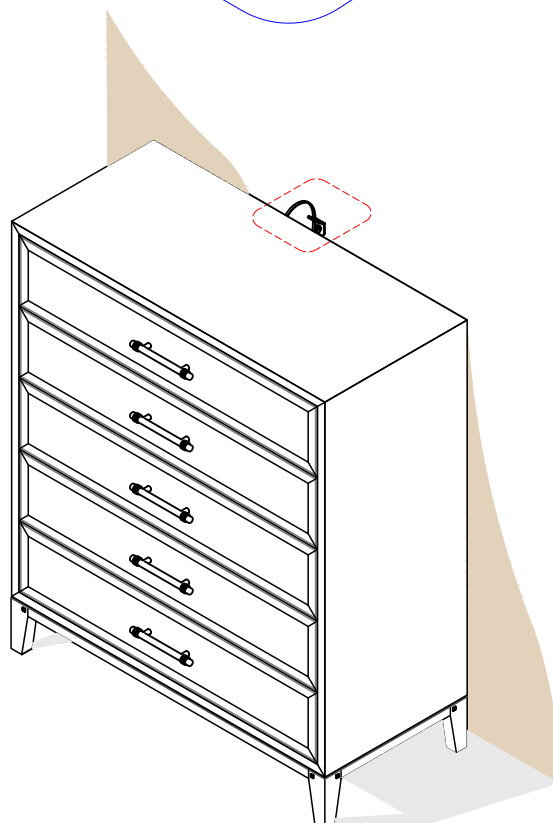
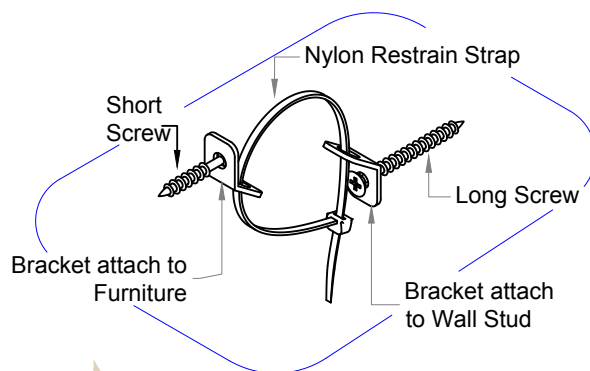
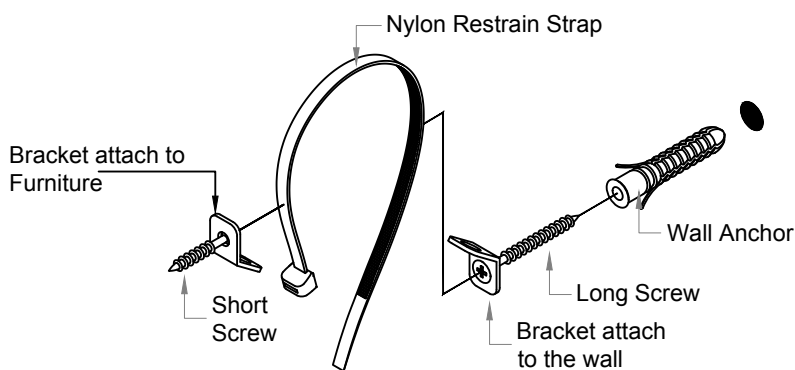
- [4] BRACKET
- [2] RESTRAINT STRAP
- [4 SHORTER] PHILIPS SCREWS
- [4 LONGER] PHILIPS SCREWS
- [4] PLASTIC ANCHOR

INSTALLATION INSTRUCTIONS

1. Attach two of the mounting brackets near the top back edge of the furniture piece using the shorter screw.
2. Determine the final position of the furniture piece and mark locations on the wall approximately 2" below the brackets mounted to the back of the furniture piece.
3. Drill a shorter hole into the dry wall stud. If wall stud is not available, drill a hole into the solid wall and insert plastic anchor. Gently tap the anchor until the flange is flush with the wall.
4. Attach the second set of brackets using the longer screw through the bracket hole and into the wall.
5. Place the furniture so that the brackets on the back edge are in line with the brackets in the wall.
6. Lace one end of the nylon restraint strap down through each bracket. Bring both ends together and slide the beaded end until it snap locks into the keyhole slot.
7. To double lock; return the beaded end back through the keyholes as shown.
8. Check to make sure the straps are securely laced and locked to the brackets.

CARE INSTRUCTIONS

- Dust often using a clean, soft, dry lint-free cloth.
- Blot spills immediately, and wipe with a clean, damp, cloth.
- We do not recommend the use of chemical cleansers, abrasives, or furniture polish on our lacquered finish.



Thank you for your purchase
www.arhaus.com

ARHAUS®

your home

AVENTINE WIDE DRAWER DRESSER

Thank you for choosing this quality product. Be sure to check all packaging materials carefully for small parts that may have become loose during shipment and place all parts on a non-abrasive surface.

⚠️WARNING: These case parts can be cumbersome and heavy to some people, therefore the assistance of two or more people is recommended in order to prevent personal injury and ensure the case are not damaged during the assembly process.

HARDWARE LIST

- [4] BRACKET
- [2] RESTRAINT STRAP
- [4 SHORTER] PHILIPS SCREWS
- [4 LONGER] PHILIPS SCREWS
- [4] PLASTIC ANCHOR

INSTALLATION INSTRUCTIONS

1. Tilt or gently lay the chest of drawers on its back and install the leg in the middle as shown in **FIGURE 01**.
2. From the desired location, pre-set the unit 16" to 20" from the wall, examine the alignment of the doors and drawers, if leveling is necessary. If needed, slightly tilt the base and turn the head of the levelers clockwise to raise the furniture and counter clockwise to lower it. Adjust all levelers until the correct level or flatness is achieved. Repeat adjustment procedures if necessary, after the furniture settles on rugs or on carpeted surface. Please see **FIGURE 02**

ANTI TIP KIT INSTALLATION

3. Attach two of the mounting brackets near the top back edge of the furniture piece using the shorter screw.
4. Determine the final position of the furniture piece and mark locations on the wall approximately 2" below the brackets mounted to the back of the furniture piece.
5. Drill a shorter hole into the dry wall stud. If wall stud is not available, drill a hole into the solid wall and insert plastic anchor. Gently tap the anchor until the flange is flush with the wall.
6. Attach the second set of brackets using the longer screw through the bracket hole and into the wall.
7. Place the furniture so that the brackets on the back edge are in line with the brackets in the wall.
8. Lace one end of the nylon restraint strap down through each bracket. Bring both ends together and slide the beaded end until it snap locks into the keyhole slot.
9. To double lock; return the beaded end back through the keyholes as shown.
10. Check to make sure the straps are securely laced and locked to the brackets. Please see **FIGURE 03**.

CARE INSTRUCTIONS

- Dust often using a clean, soft, dry lint-free cloth.
- Blot spills immediately, and wipe with a clean, damp, cloth.
- We do not recommend the use of chemical cleansers, abrasives, or furniture polish on our lacquered finish.

FIGURE 01

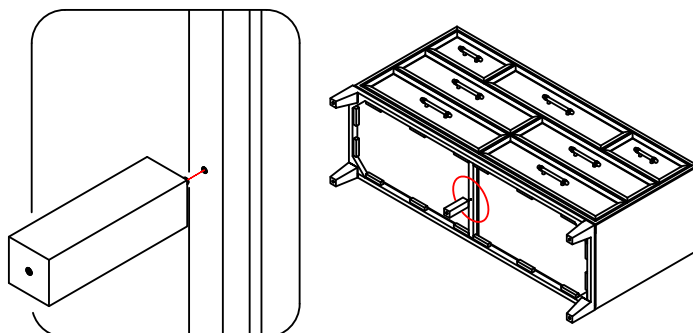


FIGURE 02

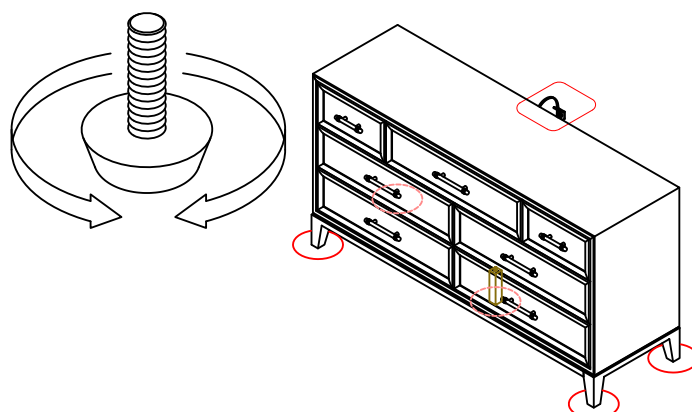
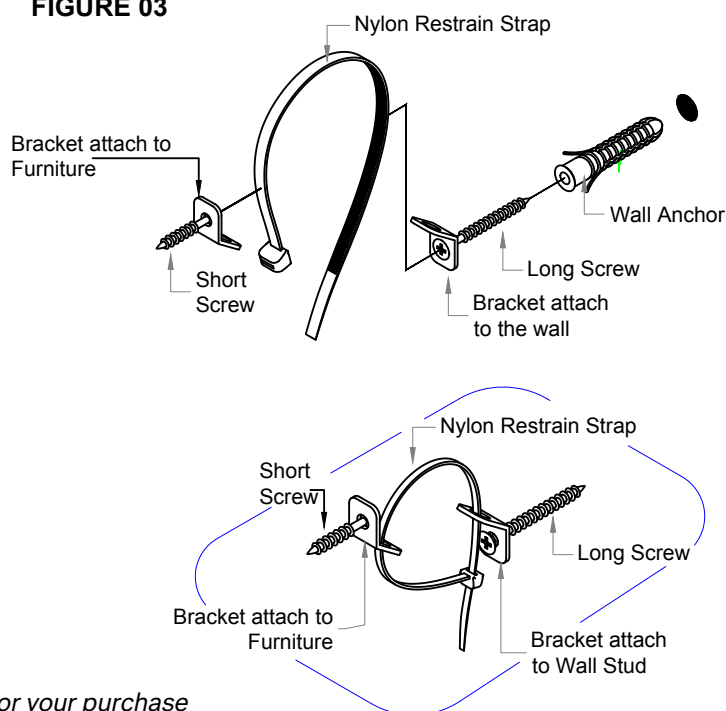


FIGURE 03



Thank you for your purchase
www.arhaus.com

BEDROOM PARTS SKUS

Super Category	Product ID	Description	Collection	Route
BEDROOM	91AVENCKSLAT	AVENTINE CALI KING BED SLATS	PT-AVENTIN	
BEDROOM	91AVENCKASHW	AVENTINE CK BED ASSEMBLY HW	PT-AVENTIN	
BEDROOM	91AVENCKCTSP	AVENTINE CK BED CENTR SUPPORT	PT-AVENTIN	
BEDROOM	91AVENKGASHW	AVENTINE KING BED ASSEMBLY HW	PT-AVENTIN	
BEDROOM	91AVENKGSLAT	AVENTINE KING BED SLATS	PT-AVENTIN	
BEDROOM	91AVENKGCTSP	AVENTINE KING CENTER SUPPORT	PT-AVENTIN	
BEDROOM	91AVENNTPULL	AVENTINE NT DRAWER 8" PULL 1 PIECE	PT-AVENTIN	
BEDROOM	91AVENNTSLID	AVENTINE NT DRAWER SLIDES 1 = PAIR OF SLIDES	PT-AVENTIN	
BEDROOM	91AVENONTPLL	AVENTINE OPEN NT DRAWR 8" PULL 1 PIECE	PT-AVENTIN	
BEDROOM	91AVENONTSLD	AVENTINE OPEN NT DRAWR SLIDES 1 = PAIR OF SLIDES	PT-AVENTIN	
BEDROOM	91AVENQNASHW	AVENTINE QUEEN BED ASSEMBLY HW	PT-AVENTIN	
BEDROOM	91AVENQNSLAT	AVENTINE QUEEN BED SLATS	PT-AVENTIN	
BEDROOM	91AVENQNCTSP	AVENTINE QUEEN CENTER SUPPORT	PT-AVENTIN	
BEDROOM	91AVENTDPULL	AVENTINE TD DRAWER 8" PULL 1 PIECE	PT-AVENTIN	
BEDROOM	91AVENTDSLID	AVENTINE TD DRAWER SLIDES 1 = PAIR OF SLIDES	PT-AVENTIN	
BEDROOM	91AVENWDCTSP	AVENTINE WD CENTER SUPPORT LEG 1 PIECE	PT-AVENTIN	
BEDROOM	91AVENWD6PL	AVENTINE WD DRAWER 6" PULL 1 PIECE	PT-AVENTIN	
BEDROOM	91AVENWD8PL	AVENTINE WD DRAWER 8" PULL 1 PIECE	PT-AVENTIN	
BEDROOM	91AVENWDSLID	AVENTINE WD DRAWER SLIDES 1 = PAIR OF SLIDES	PT-AVENTIN	

DISCONTINUEDARHAUS[®]

your home

Barnett
 bedroom collection
 Made in Vietnam



Inspired by 19th Century Belgium. Carved by 21st Century Craftsmen.

Taking inspiration from an antique table unearthed during our travels, our Barnett collection pays homage to the 19th century, industrial-era architecture found in Mechelen, Belgium. Judiciously decorated with hand-sculpted, arboreal-motif carvings, these bedroom pieces feature artfully distressed

surfaces and drawer fronts flanked by angled corner posts set onto substantial bases. Classic elements nod to a Northern Renaissance sensibility. Excellent, artisanal craftsmanship and modern lines transform the look into a transitional design befitting contemporary lifestyles.

artisan finished

Many of our pieces may vary slightly in color, pattern and texture due to the nature of multi-layered finishes that are hand-applied by our craftsmen. Hand-applied finishes may include some small splits, knots, joint lines and other natural properties that will add interest without affecting performance. Materials may also display movement from season to season because of changes in temperature and humidity. We believe these variances from piece to piece only add to an individual's unique, artisan-crafted character.

handcrafted quality

Arhaus furniture is made with great care and attention to detail. Our collections are distinctive and designed to bring pleasure to you in your home for years to come. Each piece is handcrafted, made using traditional skills and techniques, and hand-painted, distressed and finished to ensure each item becomes an heirloom in your home.

renewable resources

Arhaus is unique in its commitment to preserving natural resources. Our Corporate Rainforest Policy states that we will not sell merchandise made of timber from the world's endangered rainforests. In all cases, the wood we use was harvested from renewable resources.

All dimensions can vary slightly due to the hand-built nature of our furniture.

ARHAUS[®]

your home

DISCONTINUED**King Bed****8-Drawer****4-Drawer****Nightstand**

King Bed 45BARNKGKT
84.25" w x 87.5" d x 66" h

8-Drawer Dresser 45BARN8DR
74" w x 20.5" d x 42" h

Nightstand 45BARNNT
30" w x 20.5" d x 27" h

Queen Bed 45BARNQNKT
68" w x 87.5" d x 66" h

4-Drawer Dresser 45BARN4DR
53.5" w x 20.5" d x 42" h

product details

- ▶ Handcrafted from solid parawood and elm veneers
- ▶ Each piece features a hand-applied Black Forest finish.
- ▶ 12-step, multilayer finishing process creates a distressed, dry-brushed appearance.
- ▶ Constructed using a mortise-and-tenon assembly.
- ▶ English dovetail drawers feature metal drawer glides and Brass hardware.

recommended care

- ▶ Dust wood with non-wax furniture polish, such as Guardsman[®] Wood Polish.
- ▶ Spills should be removed immediately with a damp cloth.
- ▶ Do not use care products that contain ammonia or silicone.
- ▶ Use coasters, trivets and felt pads to preserve the finish.
- ▶ Never place hot dishes on surfaces; use felt-backed tablemats.
- ▶ Prolonged use of hot electrical equipment may also cause scorching.
- ▶ Avoid sunlight and heat, which could cause cracking or fading.
- ▶ Do not drag, drop, or lean.

DISCONTINUED

ARHAUS

BARNETT KING BED

IMPORTANT SAFETY INSTRUCTIONS







1. These bed parts can be cumbersome and heavy. Therefore, the assistance of one or two people are recommended in order to prevent personal injury and insure that parts are not damage during the assembly process.
2. Risk of product damage. Do not over tighten hardware; it may cause damage to the product.
3. Keep all hardware parts, out of reach of children.

CARE INSTRUCTIONS

1. Clean periodically by wiping with a soft clean cloth slightly moistened with water.

PARTS INCLUDED

- A [1] HEADBOARD
- B [1] FOOTBOARD
- C [2] SIDE RAILS
- D [7] SLATS
- E [2] SLAT SUPPORT
- F [2] CENTER SUPPORT

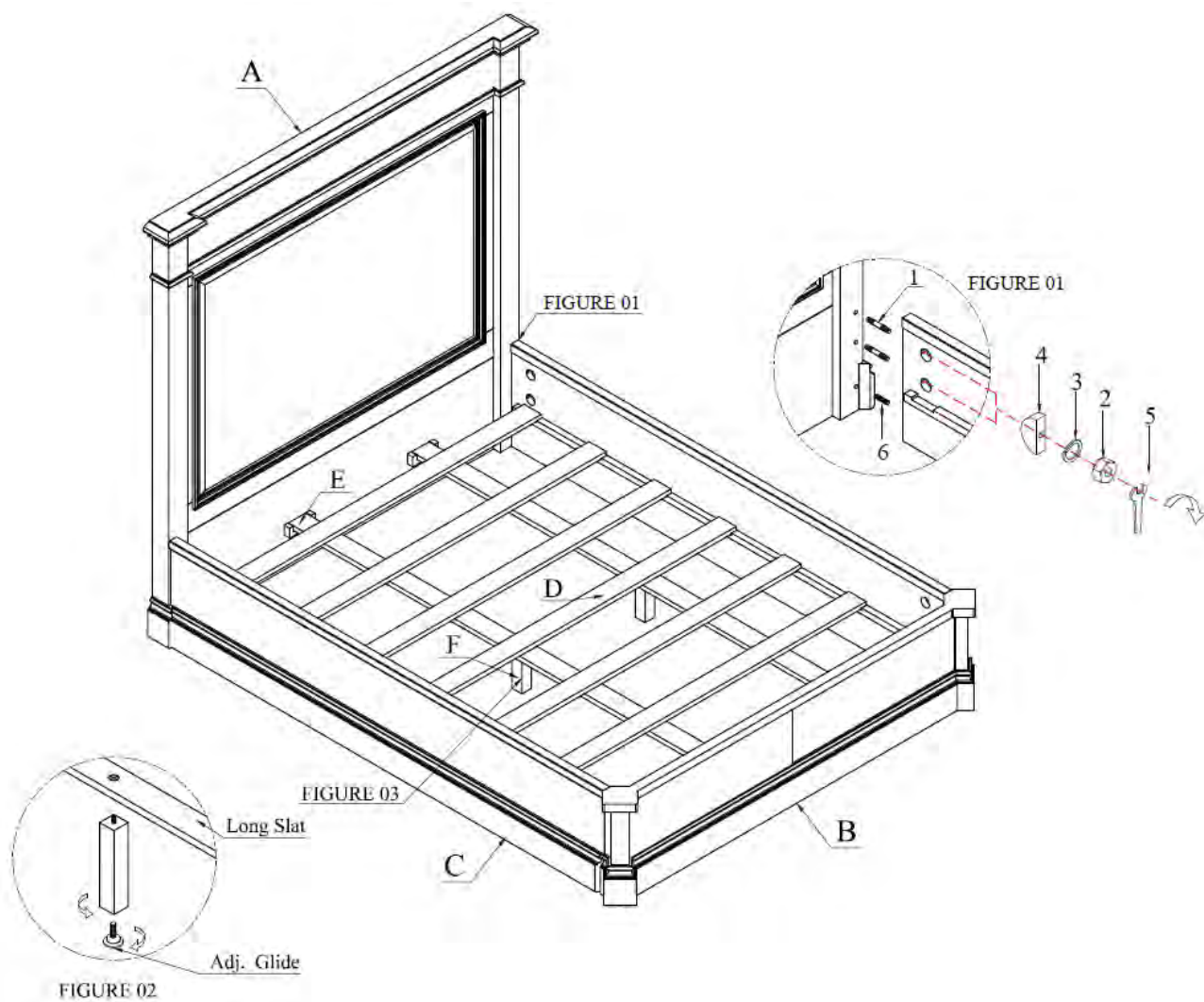
NO	ITEM	DESCRIPTION	QTY.
1		Threaded Rod	8 pcs.
2		Hexagonal Nut	8 pcs.
3		Lock Washer	8 pcs.
4		Curved Washer	8 pcs.
5		Wrench	1 pc.
6		Wooden Dowel	4 pcs.

HARDWARE KIT: 91BARNBEDHW

ASSEMBLY INSTRUCTIONS

1. Unpack each component carefully and place on a non-abrasive surface.
2. Bring the headboard (A) and footboard (B) in upright position with enough distance to install the side rails (C). On the inside face of both headboard (A) and footboard (B) there are insert nut pre-installed and holes for wooden dowels, insert the threaded rod into the insert nut and wooden dowels into the holes Refer to figure 01.
3. Insert the mating holes of the side rails (C) into the wooden dowels and threaded rod found in the inside face of both headboard (A) and footboard (B), once the threaded rod are set on the holes of the side rails (C) secure it with the curved washer, lock washer, and hexagonal nut using wrench. Refer to figure 01.
4. Install the center support (F) into the slat support (E) and place on the center cavity found on the inside face of both headboard (A) and footboard (B). Refer to sketch below.
5. Install the slat (D) into the cavity found in the inside face of side rails. Refer to sketch below.
6. Assembly is complete.

DISCONTINUED



DISCONTINUED

ARHAUS

BARNETT QUEEN BED

IMPORTANT SAFETY INSTRUCTIONS





1. These bed parts can be cumbersome and heavy. Therefore, the assistance of one or two people are recommended in order to prevent personal injury and insure that parts are not damage during the assembly process.
2. Risk of product damage. Do not over tighten hardware; it may cause damage to the product.
3. Keep all hardware parts, out of reach of children.

CARE INSTRUCTIONS

1. Clean periodically by wiping with a soft clean cloth slightly moistened with water.

PARTS INCLUDED

- A [1] HEADBOARD
- B [1] FOOTBOARD
- C [2] SIDE RAILS
- D [7] SLATS
- E [1] SLAT SUPPORT
- F 1] CENTER SUPPORT

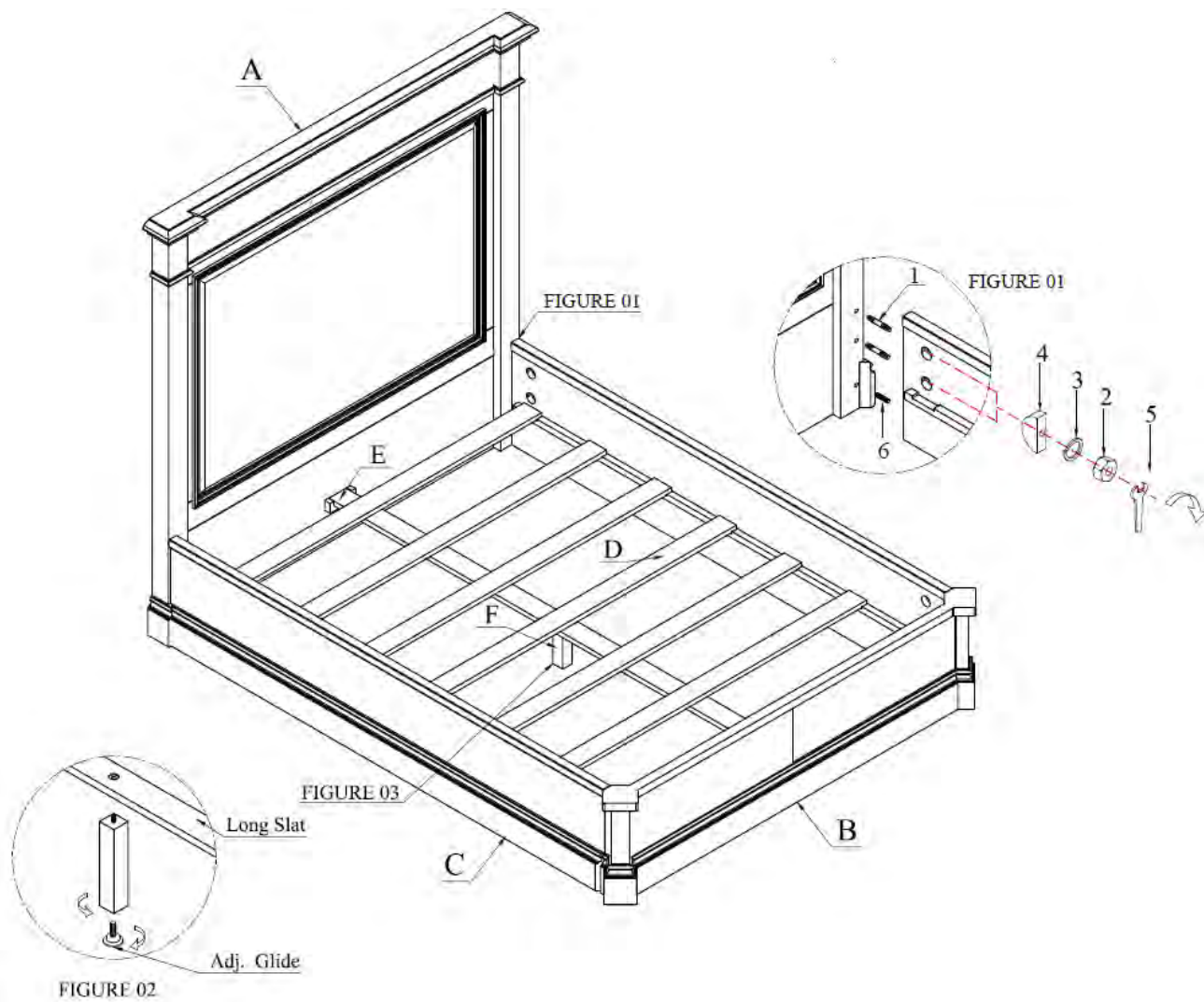
NO	ITEM	DESCRIPTION	QTY.
1		Threaded Rod	8 pcs.
2		Hexagonal Nut	8 pcs.
3		Lock Washer	8 pcs.
4		Curved Washer	8 pcs.
5		Wrench	1 pc.
6		Wooden Dowel	4 pcs.

ASSEMBLY INSTRUCTIONS

HARDWARE KIT: 91BARNBEDHW

1. Unpack each component carefully and place on a non-abrasive surface.
2. Bring the headboard (A) and footboard (B) in upright position with enough distance to install the side rails (C). On the inside face of both headboard (A) and footboard (B) there are insert nut pre-installed and holes for wooden dowels, insert the threaded rod into the insert nut and wooden dowels into the holes Refer to figure 01.
3. Insert the mating holes of the side rails (C) into the wooden dowels and threaded rod found in the inside face of both headboard (A) and footboard (B), once the threaded rod are set on the holes of the side rails (C) secure it with the curved washer, lock washer, and hexagonal nut using wrench. Refer to figure 01.
4. Install the center support (F) into the slat support (E) and place on the center cavity found on the inside face of both headboard (A) and footboard (B). Refer to sketch below.
5. Install the slat (D) into the cavity found in the inside face of side rails. Refer to sketch below.
6. Assembly is complete.

DISCONTINUED



BEDROOM PARTS SKUS

Super Category	Product ID	Description	Collection	Route
BEDROOM	91BARNBEDHW	BARNETT BED ASSEMBLY HARDWARE	PT-BARNETT	PART

DISCONTINUED

ARHAUS®

your home

barrister**King Bed**

89" w x 88" d x 60" h

Cannes Charcoal 45BARKG5

Brussels Quail 45BARKG7

Venue Bechamel 45BARKGVB

Queen Bed

71" w x 88" d x 60" h

Cannes Charcoal 45BARQN5

Brussels Quail 45BARQN7

Venue Bechamel 45BARQNVB

Fabrics:Cannes
CharcoalBrussels
QuailVenue
Bechamel**Finish:**Dark
Walnut**your style your way**

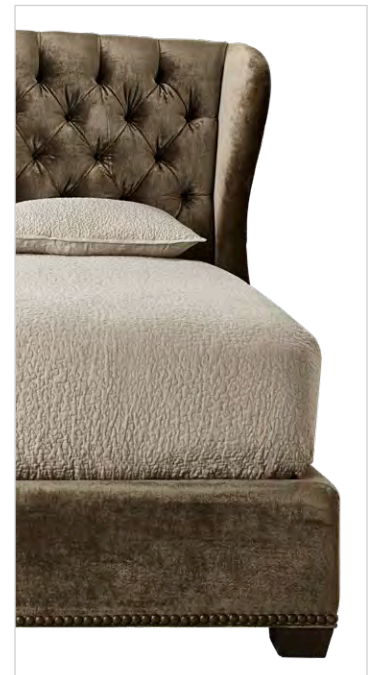
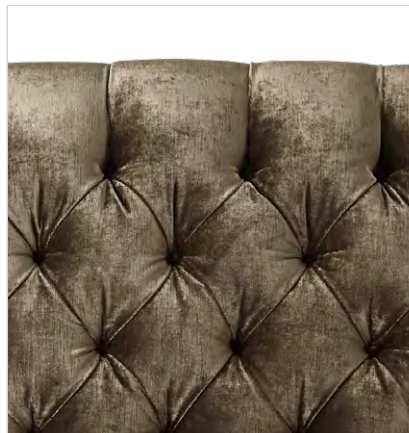
Our Design Consultants can help you craft a custom design with hundreds of options to choose from. Ask in store or call **866.427.4287**

velvety smooth style and comfort

Inspired by classic wingback chairs, our plush Barrister Beds feature elegant silhouettes wrapped in sumptuous designer-inspired fabrics. Exquisitely hand-tufted headboards are works of art, adding texture and dimensional interest to your bedroom décor. Vintage-inspired details, including antiqued, solid brass nailheads, complement the generously cushioned bed frames for a sophisticated aesthetic. And, spring support systems housed within bed platforms eliminate the need for box springs and provide luxurious, resilient comfort night after night.

product details

- ▶ Craftsman-built frames are constructed using solid, reinforced hardwood for superior stability.
- ▶ Bedframes rest on subtly tapered, solid maple block feet hand-finished in our Dark Walnut stain.
- ▶ Arhaus upholstery is handcrafted by artisans in North Carolina, using wood certified by the Sustainable Forestry Initiative.
- ▶ Beds are generously padded with dense, eco-friendly foam made partly from sustainable, plant-based material.
- ▶ Headboards are accented with more than 40 hand-applied tufts punctuated by matching fabric covered buttons.
- ▶ Bed frames are accented with antiqued, solid brass nailheads.
- ▶ Beds upholstered in Venue Bechamel and Brussels Quail fabrics are complemented by nailheads with a natural finish; while beds upholstered in Cannes Charcoal fabric are complemented by pewter-finished nailheads.
- ▶ Bed platforms sustain mattresses with resilient spring support systems, making box springs unnecessary.
- ▶ Bed frames include space to accommodate variances in mattress sizes and allow bedding to be tucked in.
- ▶ Not compatible with adjustable or SleepNumber® mattresses.



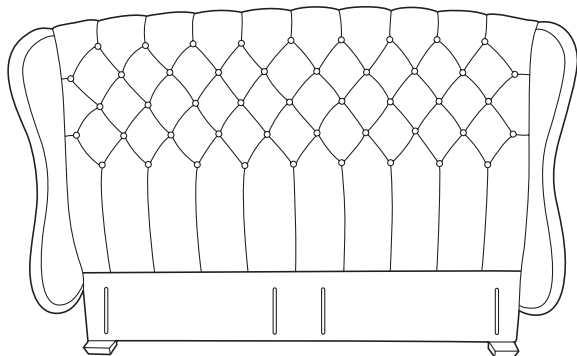
barrister | cambridge collection | made in America

Dimensions may vary slightly. Please ensure furnishings fit through interior structures and into desired space before purchase.

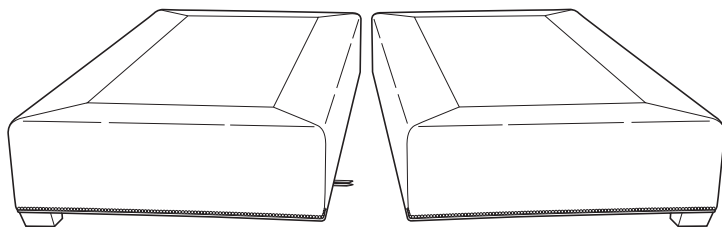
DISCONTINUED

Bed Assembly

Headboard

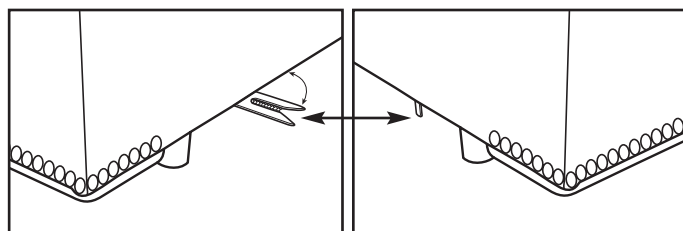


Beds are shipped in 3 pieces - Headboard, Left Side Base and a Right Side Base. Remove from shipping cartons and place as shown in illustration on the left.

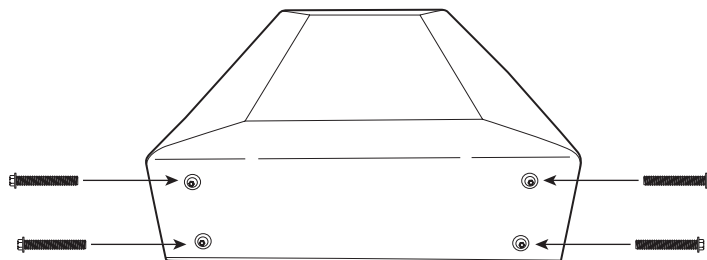


Left Side Base

Right Side Base

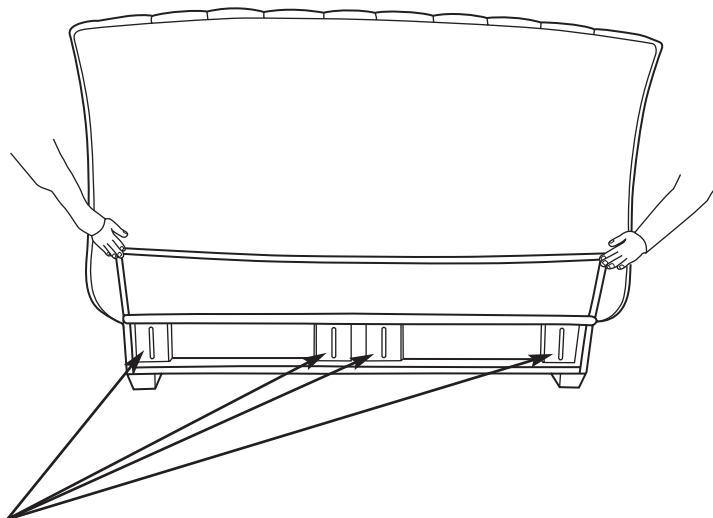


Front of bases attach together using the clipping mechanism. *Note: Clip on Left Side Base is shipped folded underneath the base. Pull Clip out 90° and then slide base units together.

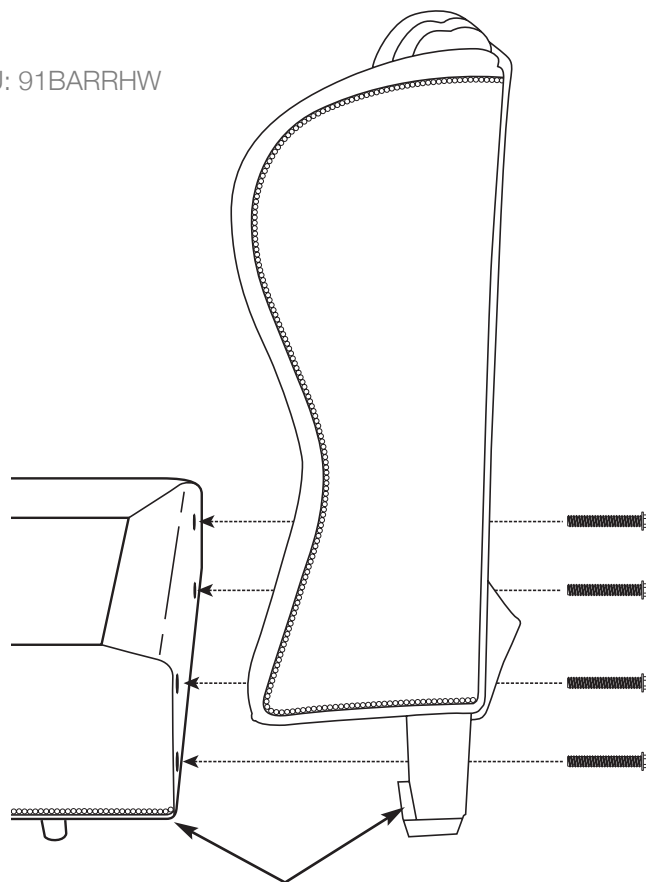


SKU: 91BARRHW

Rear of bases are shipped with 4 bolts in each base. Unscrew bolts prior to beginning assembly.



Lift the flap on the back of the headboard to reveal 4 slots in the base of the headboard. The bolts go through these slots and then back into the holes in the base units. Tighten until snug.



Back of base units rests on ledge of foot on headboard.

BEDROOM PARTS SKUS

Super Category	Product ID	Description	Collection	Route
BEDROOM	91BARRHW	BARRISTER PLATFORM BED BOLT 1 BOLT - NEED 8 FOR BED	PT-BARRSTR	PART

DISCONTINUED

ARHAUS®

your home

beck

**Queen Bed**

67" w x 89.5" d x 45.5" h

Windsor Cement 45BECKLGQKT

Windsor Graphite 45BECKCQKT

Dublin Flax 45BECKLQKT

King Bed

83" w x 89.5" d x 45.5" h

Windsor Cement 45BECKLGKKT

Windsor Graphite 45BECKCKKT

Dublin Flax 45BECKLKKT

Fabrics:Windsor
CementWindsor
Graphite

Dublin Flax

Finish:

Brown

your style your way

Our Design Consultants can help you craft a custom design with hundreds of options to choose from. Ask in store or call **866.427.4287**

essential contemporary comfort

Designed with a lower headboard for a more modern feel, our Beck Beds are a boudoir staple. These simple, contemporary classics are expertly fitted with designer-inspired fabrics—thoughtfully selected to complement your space with neutral tones that provide an ideal foundation of comfort. Headboards and other surfaces are generously cushioned with dense, eco-friendly foam and poly-fiber padding for relaxing “sink-into” comfort. Create a modern retreat that complements your taste and allows you to unwind in style.

product details

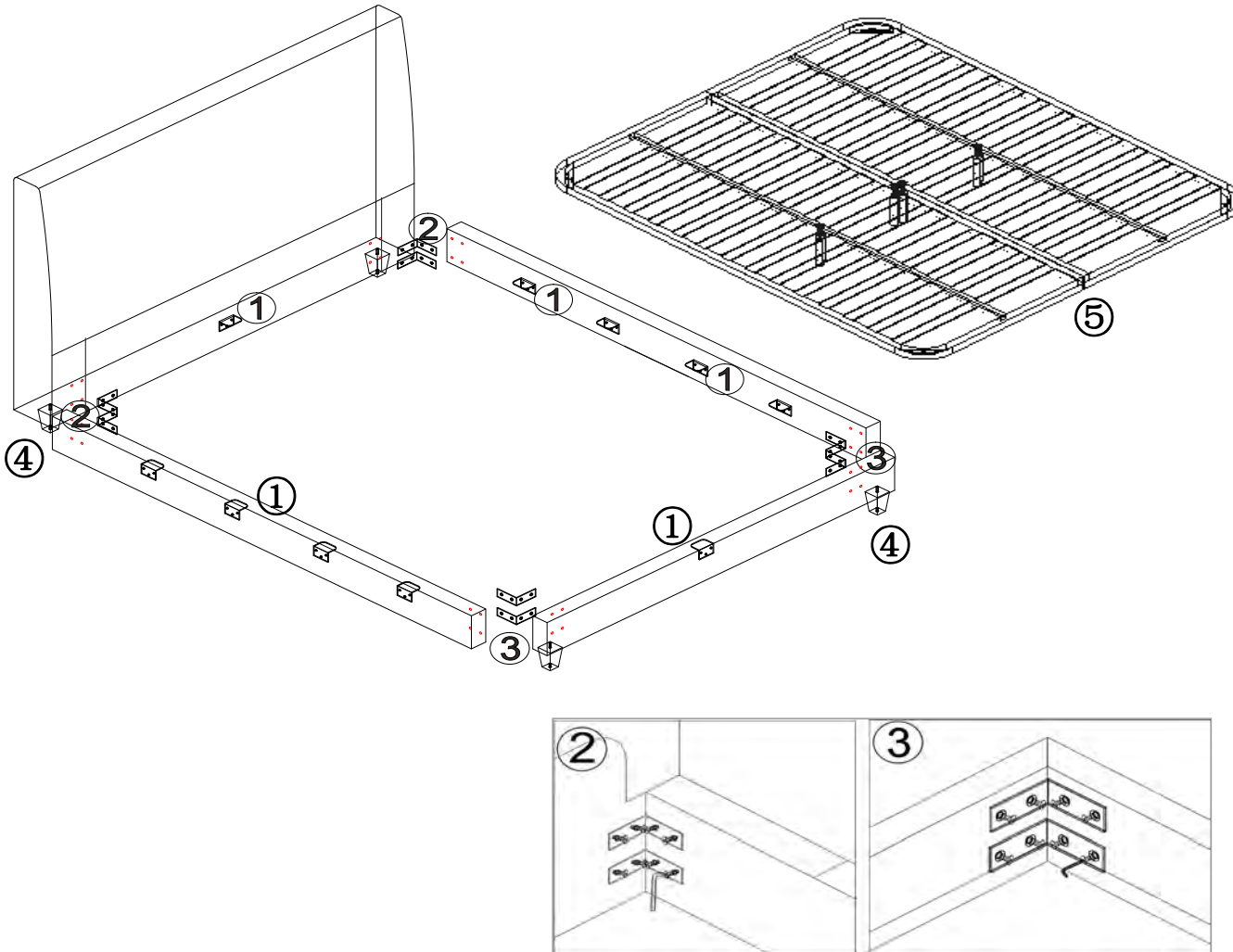
- ▶ Craftsman-built bed frames are constructed using solid larch and engineered hardwood.
- ▶ Bed legs are crafted from solid catalpa wood and hand-finished in a warm brown tone.
- ▶ Bed frames are padded with dense eco-friendly foam—made partly from plant-based material—which is then wrapped in poly-fiber padding for additional, “sink-into” comfort.
- ▶ Bed frames accommodate for variances in mattress sizes and allow bedding to be tucked in.
- ▶ Beck beds do not require box springs.



ARHAUS[®]
your home

Beck King Bed

Assembly Instruction

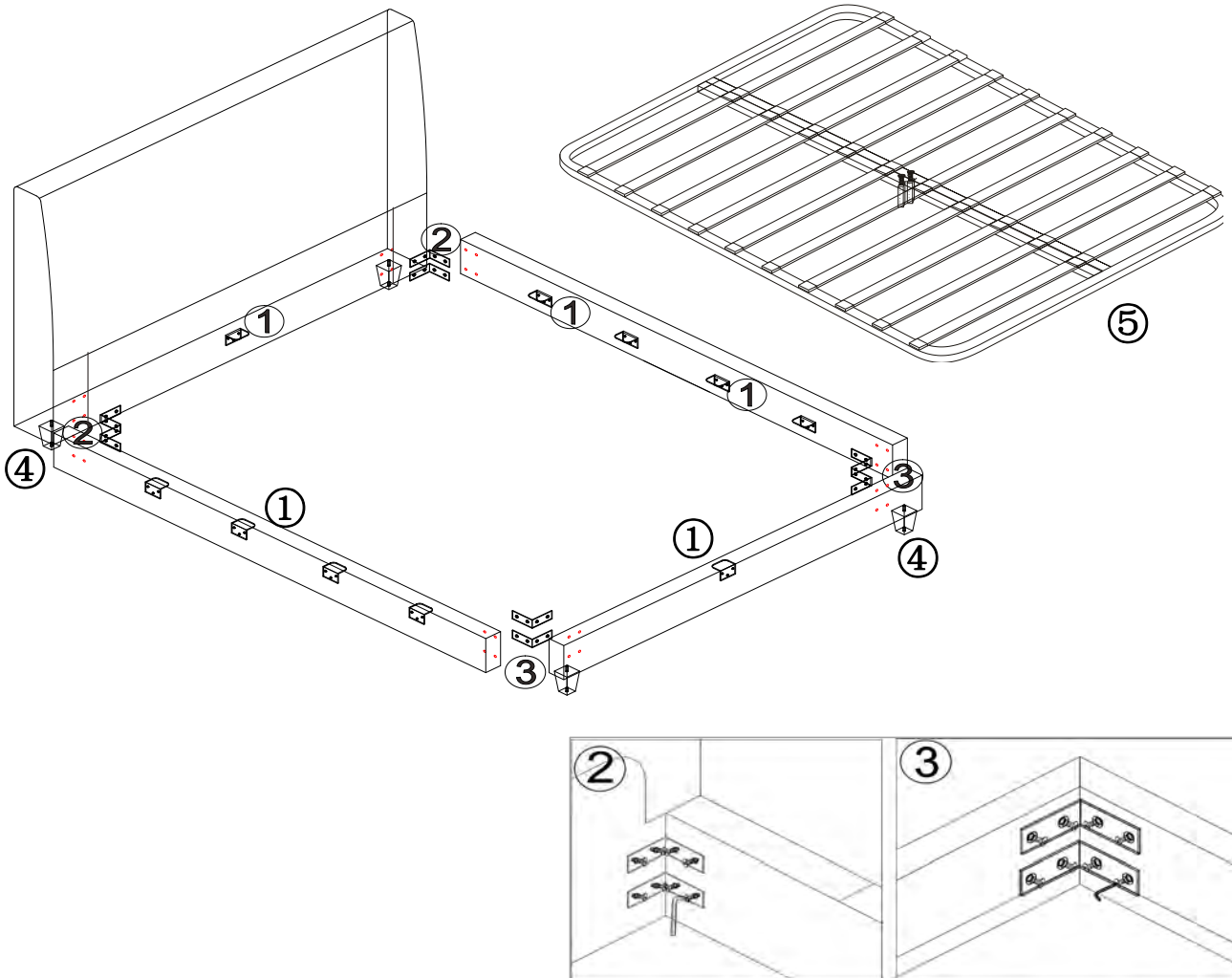


No.	Quantity	Accessory
A	8	
B	10	
C	30	40×5mm
D	32	30×8mm
E	1	
F	4	
G	4	metal leg 22cm
H	10	30mm
HARDWARE KIT: 91BECKKASHW		
Steps	Please refer following procedures	
①	Use screw C to install B on headboard, siderails, footboard, and place H on B.	
②	Screw off D first and use A and D to connect headboard and siderails.	
③	Screw off D first and use A and D to connect siderails and footboard.	
④	Install F legs on headboard and footboard;	
⑤	Install G legs on slat and put the slat on the bed	

ARHAUS[®]
your home

Beck Queen Bed

Assembly Instruction



No.	Quantity	Accessory	
A	8		
B	10		
C	30		40×5mm
D	32		30×8mm
E	1		
F	4		
G	2		metal leg 22cm
H	10		30mm

HARDWARE KIT: 91BECKQASHW

Steps	Please refer following procedures
①	Use screw C to install B on headboard, siderails, footboard, and place H on B.
②	Screw off D first and use A and D to connect headboard and siderails.
③	Screw off D first and use A and D to connect siderails and footboard.
④	Install F legs on headboard and footboard;
⑤	Install G legs on slat and put the slat on the bed

BEDROOM PARTS SKUS

Super Category	Product ID	Description	Collection	Route
BEDROOM	91BECKKASHW	BECK ASSEMBLY HARDWARE KING	PT-BECK	PART
BEDROOM	91BECKQASHW	BECK ASSEMBLY HARDWARE QUEEN	PT-BECK	PART
BEDROOM	91BECKKGBRKT	BECK BRACKET KING	PT-BECK	PART
BEDROOM	91BECKKGSL	BECK KING SLATS BECK KING SLATS	PT-BECK	PART

ARHAUS®

your home

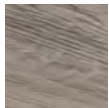
bodhi



California King Storage Bed
80" w x 92" d x 40" h
45BODHICK

King Storage Bed
84" w x 88" d x 40" h
45BODHIKG

Queen Storage Bed
71.5" w x 88" d x 40" h
45BODHIQN

Finish:

Salvaged
Grey

refined rusti

Featuring bold, minimalist silhouettes, our Bodhi Bedroom Collection is a new take on rustic that honors the beauty of simple construction and emphasizes the gorgeous grain of natural white oak. Each piece is carefully built by craftsmen and hand-finished—wire brushed and sanded before a six-step application of stain, glaze, sealer, and lacquer to achieve an elegant, “organically aged” patina. Modern case pieces and storage platform beds are also equipped with spacious drawers. Case pieces are accented by beautiful brass pulls adorned with a subtle champagne tone.

product details

- ▶ Craftsman-built frames are constructed from solid white oak and white oak veneers.
- ▶ Handcrafted by Indonesian artisans, using wood certified by the Forest Stewardship Council.
- ▶ Salvaged Grey finishes are artfully applied by hand. Wood surfaces are wire-brushed and sanded before staining.
- ▶ Finishes are sealed and lacquered by hand for added protection and a subtle satin sheen.
- ▶ Drawers are handcrafted using English dovetail joinery, sit on under-mounted soft-close glides, and feature solid brass hardware to complement the oak wood's finish.
- ▶ Beds do not require box springs.
- ▶ Storage beds feature two large drawers on each side of the platform. Drawer interiors measure 27" w x 15.25" d x 4.75" h. Platforms measure 11" h.
- ▶ Bed frames include space to accommodate variances in mattress sizes and allow bedding to be tucked in.
- ▶ This collection is artisan-crafted from natural materials with hand-applied finishes. Individual pieces may vary in color, pattern, shape, and texture, making each truly unique.
- ▶ Natural wood may display small splits, knots, joint lines, or other organic features that will not affect the quality or performance of your piece.
- ▶ Furniture made from natural wood may move slightly due to temperature and humidity. This is normal and should be expected from season to season.
- ▶ Keep your furniture looking its best. Visit arhaus.com or speak to any Arhaus Design Consultant for care recommendations.



ARHAUS®

your home



5-Drawer Dresser
38.75" w x 22" d x 54" h
45BODHITD



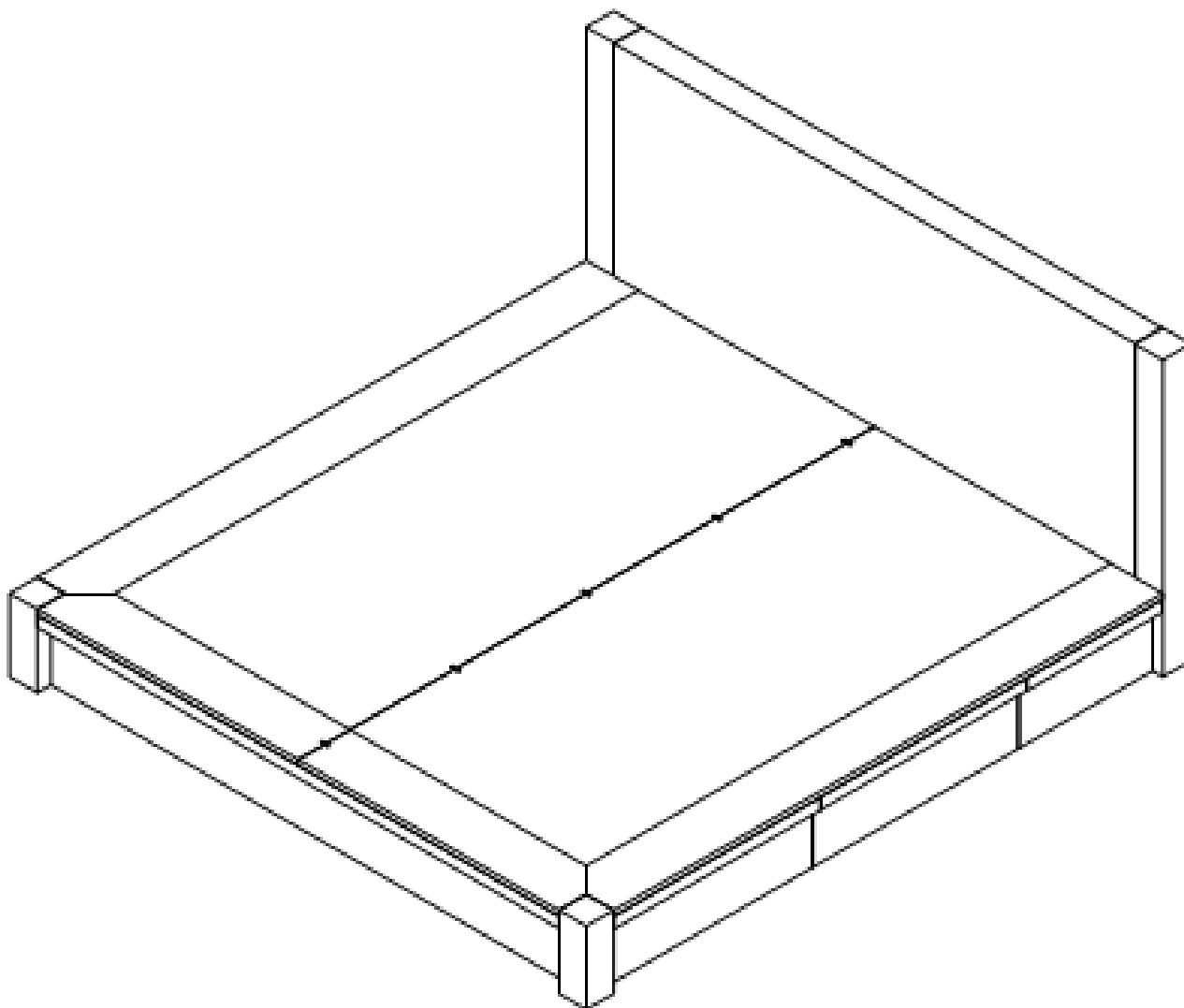
6-Drawer Dresser
72.5" w x 22" d x 34.5" h
45BODHIWD



Nightstand
28" w x 20" d x 22.5" h
45BODHINT

ARHAUS[®]

your home



Assembly Instruction

- 45BODHIQNHBFB (Bodhi QN HB/FB Plat & Rails)
- 45BODHIQNDRS (Bodhi Queen Bed Frame Drawers)
- 45BODHIKGHBFB (Bodhi KG HB/FB Plat & Rails)
- 45BODHIKGDRS (Bodhi King Bed Frame Drawers)

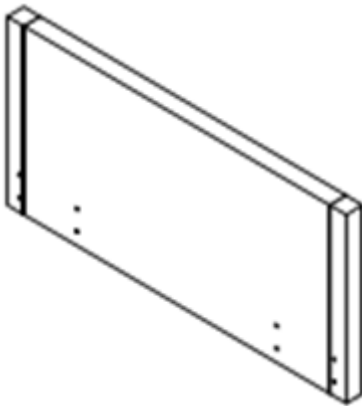

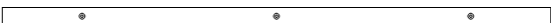

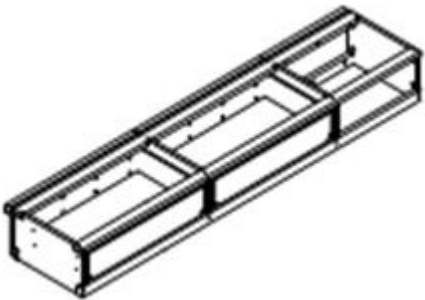
ARHAUS[®]

your home

Please read all instructions carefully before starting the assembly process. Some parts are large and heavy and require AT LEAST TWO PEOPLE to assemble, to help prevent possible injury and or damage to the piece.

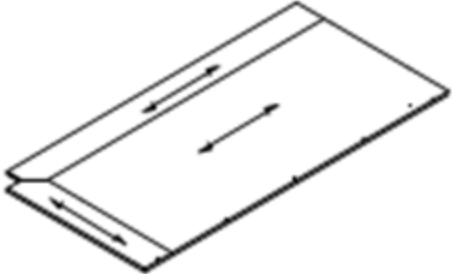



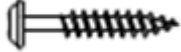
HARDWARE KIT: 91BODHIASMHW

LIST OF PART AND HARDWAR BODHI BED FRAME

Part	Quantity	Description	Image
A	1	Headboard Panel	
B	1	Footboard Panel	
C	1	Slat Rail	
D	3	Slat Support	
E	2	Side Frame (L/R)	

ARHAUS[®]

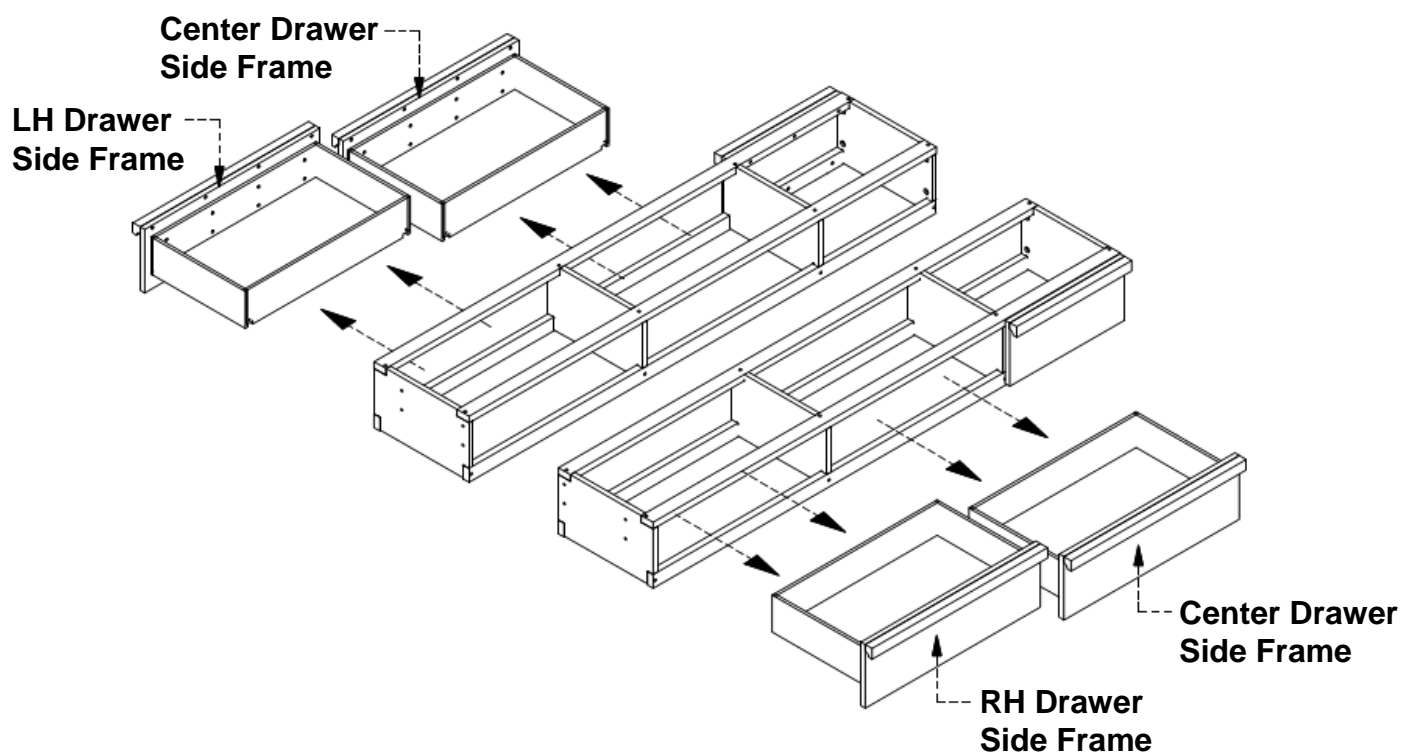
your home

F	2	Mattress Support Panel (L/R)	
G	16	Bolt JCBC 1/4 x 1 1/2"	
H	8	Flat Washer 1/4"	
I	1	Allen Key	
J	10	Screw JP 8 x 1"	

ARHAUS[®]

your home

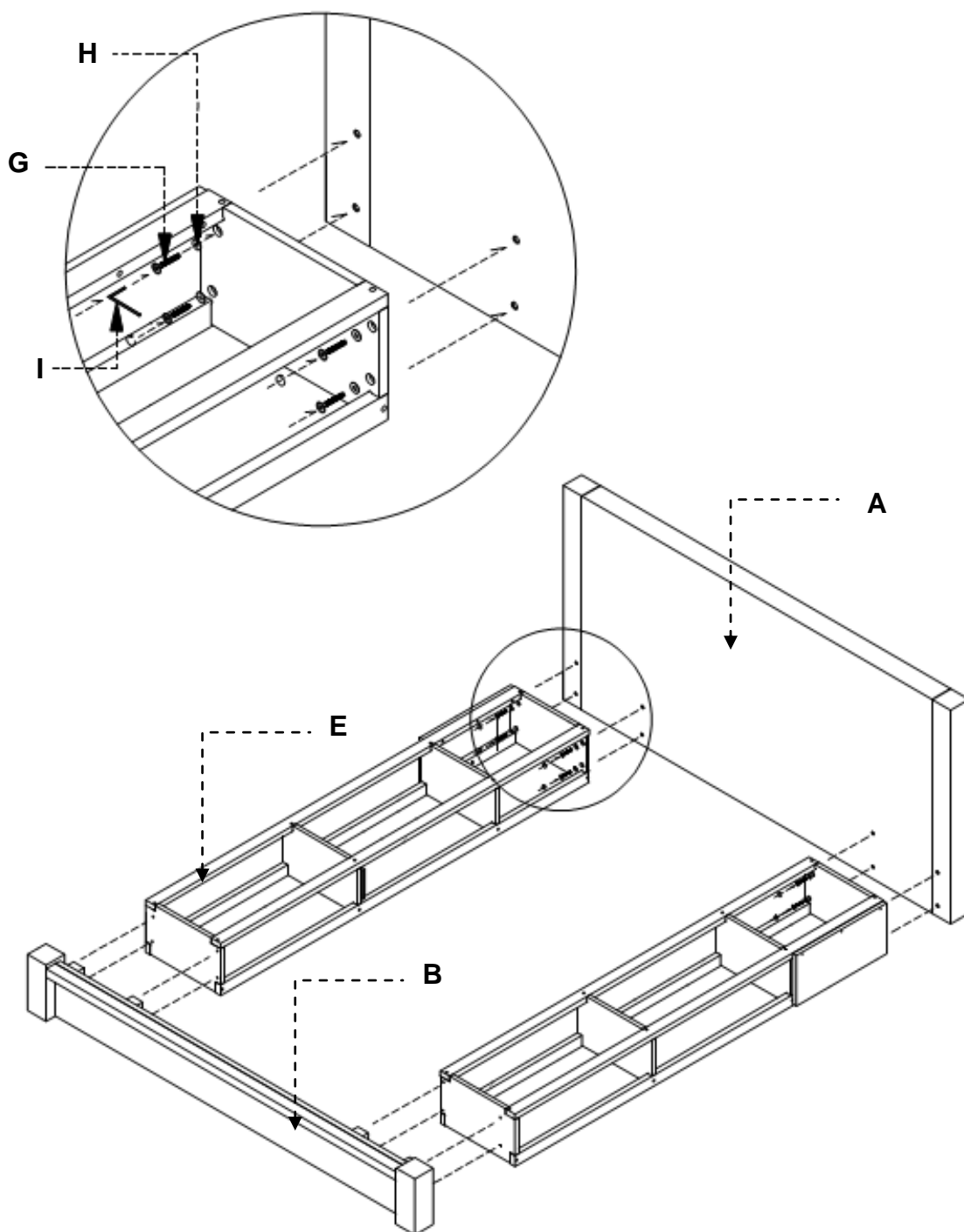
Please read all instructions carefully before starting the assembly process. Some parts are large and heavy and require **AT LEAST TWO PEOPLE** to assemble, to help prevent possible injury and or damage to the piece.



ARHAUS[®]

your home

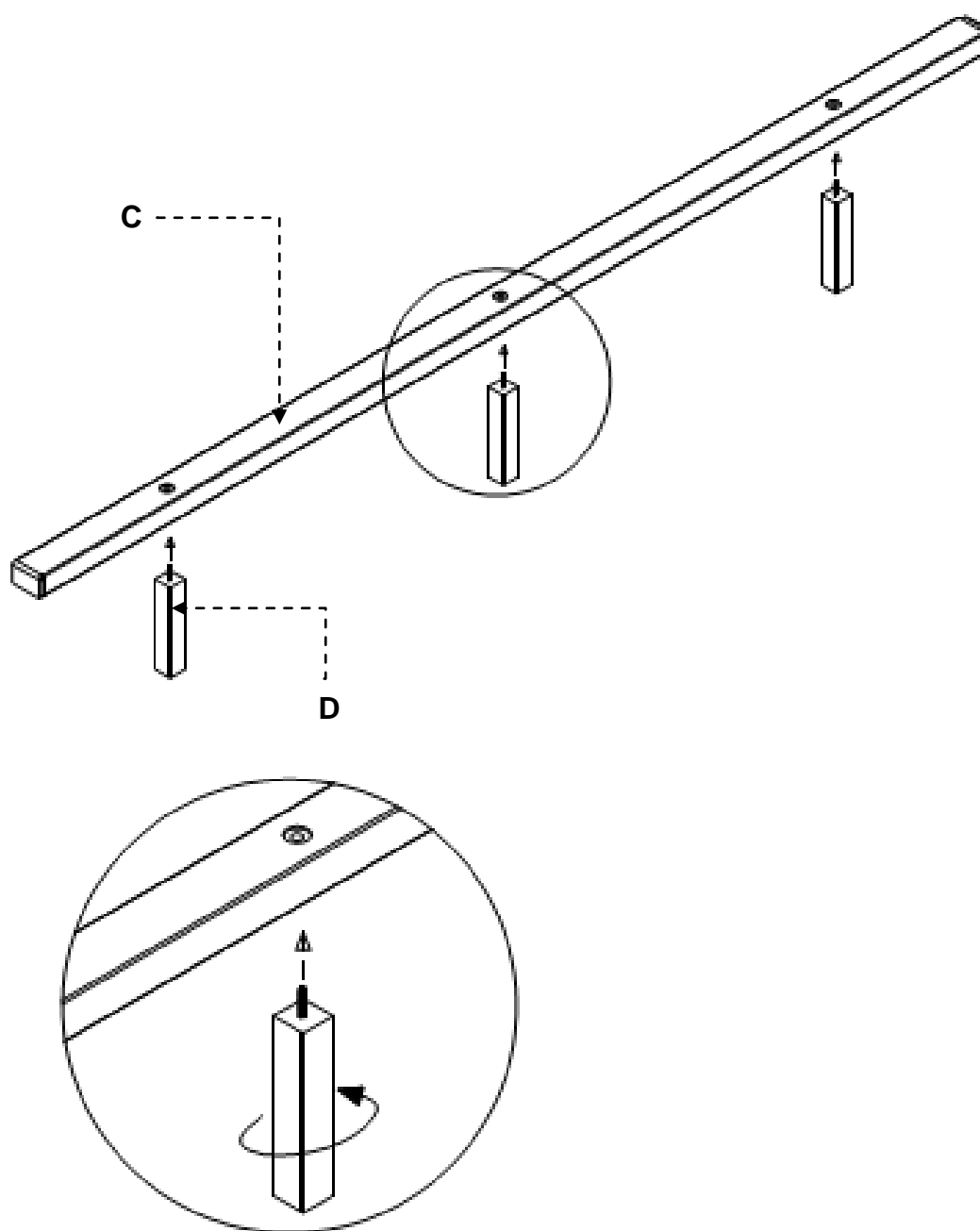
Please read all instructions carefully before starting the assembly process. Some parts are large and heavy and require **AT LEAST TWO PEOPLE** to assemble, to help prevent possible injury and or damage to the piece.



ARHAUS[®]

your home

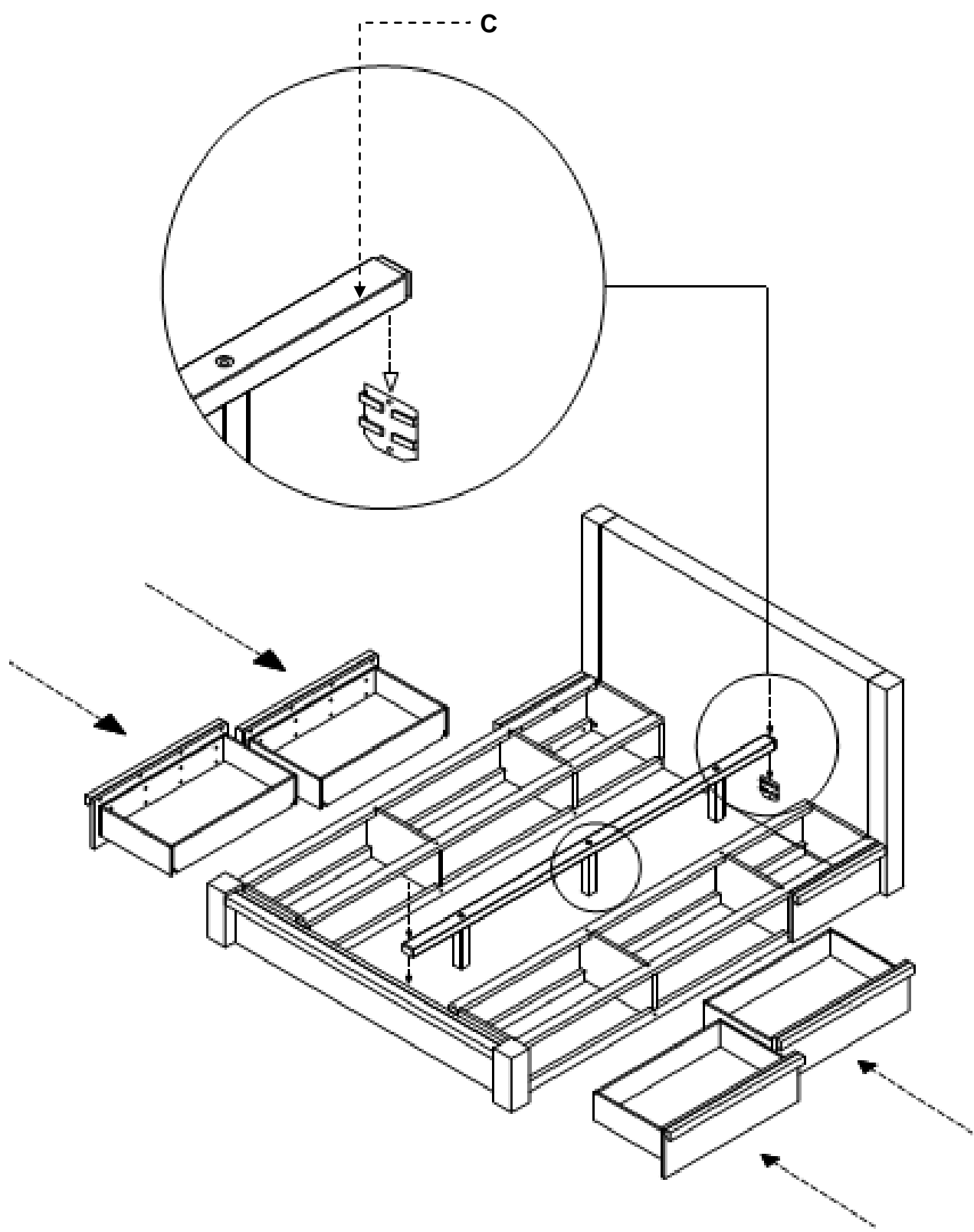
Please read all instructions carefully before starting the assembly process. Some parts are large and heavy and require **AT LEAST TWO PEOPLE** to assemble, to help prevent possible injury and or damage to the piece.



ARHAUS[®]

your home

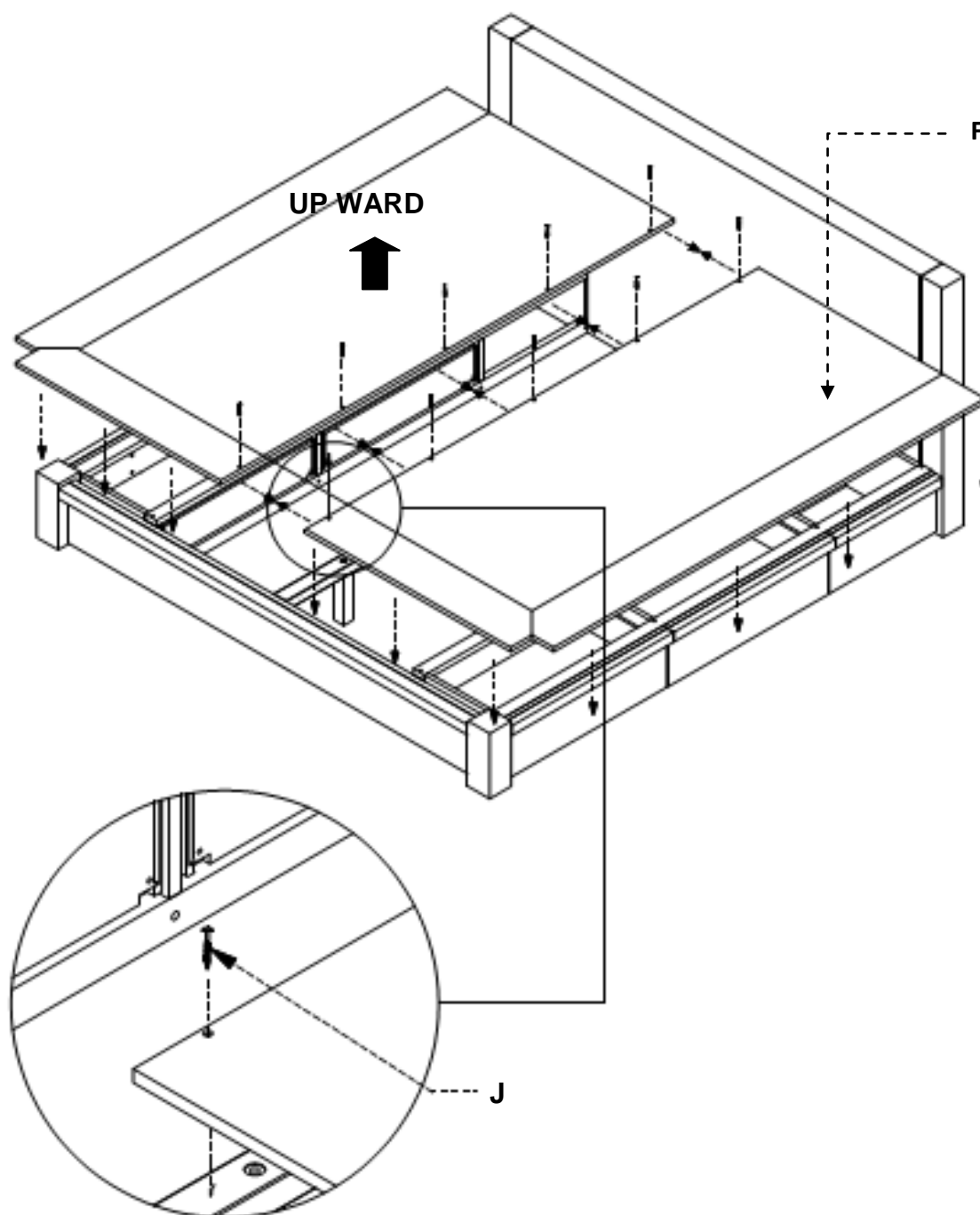
Please read all instructions carefully before starting the assembly process. Some parts are large and heavy and require **AT LEAST TWO PEOPLE** to assemble, to help prevent possible injury and or damage to the piece.



ARHAUS[®]

your home

Please read all instructions carefully before starting the assembly process. Some parts are large and heavy and require **AT LEAST TWO PEOPLE** to assemble, to help prevent possible injury and or damage to the piece.



Thank You for Your Purchase

BEDROOM PARTS SKUS

Super Category	Product ID	Description	Collection	Route
BEDROOM	91BODHIASMHW	BODHI ASSMBLY HARDWRE KG/QUEEN	PT-BODHI	PART
BEDROOM	91BODHCNTRSP	BODHI BED CENTER SUPPORT	PT-BODHI	

ARHAUS®

your home

celeste



4-Drawer Dresser
56" w x 24" d x 43.75" h
45CEL4DR



8-Drawer Dresser
68" w x 24" d x 43.75" h
45CEL8DR



3-Drawer Bedside Table
30.75" w x 19" d x 30.5" h
45CELBT

your style your way

Our Design Consultants can help you craft a custom design with hundreds of options to choose from. Ask in store or call **866.427.4287**

designed by our long-time Italian artisan,

our Celeste Collection is named for the color blue—like the sky, the same color as 39 our artisan's eyes and those of his daughters who work with him. Handcrafted from solid tulip wood and finished with impeccable care, these elegant pieces are timelessly styled with sculpted moulding, antique brass drawer pulls, and an exclusive, 21-step finishing process—which has only been taught to three other men, in order to continue the legacy of this time-honored tradition of craftsmanship.

product details

- ▶ Case frames, tops, and drawer fronts are made from solid tulip wood; while case sides are crafted from veneers for a smooth surface.
- ▶ Exclusive finish are crafted over an extensive 21-step process. Bases feature our Cielo finish, while tops feature our Notturmo finish.
- ▶ All pieces of our Celeste collection are also available in any of our beautiful Italian finishes by special order.
- ▶ Finished surfaces are coated with a soft layer of lacquer for added protection and a subtle satin sheen.
- ▶ All joints are doubly reinforced with a mortise-and-tenon construction and corner-blocks to guarantee years of structural reliability.
- ▶ Drawers are durable constructed using dovetail joinery and sit on wood glides.
- ▶ All drawers are complemented with antique brass pulls and lined in a hand-distressed paper with Florentine Lily motif..
- ▶ Due to the nature of handcrafted construction and finishing, each piece features a distinct "fingerprint"—making each truly one-of-a-kind.



ARHAUS®

your home

chambers



Bench

60" w x 20" d x 19" h

Tufted

Dasher Ash/Fossil 45CHAMBT

Non-tufted

Dasher Ash/Fossil 45CHAMBNT

Matisse Tuxedo/Wenge X0CFBNJ*

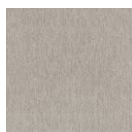
Biscuit-tufted

Dansby Pewter/Fossil 45CHAMBB

Fabrics:



Dasher Ash

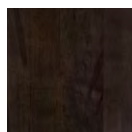


Dansby Pewter



Matisse
Tuxedo*

Finishes:



Fossil



Wenge*

your style your way

Craft a custom design that tells your style story.

This collection is available in special-order:

Fabrics, Leathers, and Finishes

Ask in store or call 866.427.4287

***available by special order**

ease into your day.

Our Chambers bench is functional design at its best. A comfortable, durable upholstered bench perfect for a bedroom or entryway. Have a seat while you slip on your shoes and use the matching, removable tray to store everyday items. Or, show someone you care by using the tray to serve breakfast in bed. This piece can be customized in an array of fabrics and leathers to complement your space.

product details

- ▶ Craftsman-built frames are constructed using solid, reinforced, laminate hardwood for lasting strength and superior stability.
- ▶ Made in America—this collection was handcrafted by upholstery artisans in North Carolina.



Arhaus upholstery is made using wood certified by the Sustainable Forestry Initiative.

- ▶ Removable trays provide added surface area and serving space.
- ▶ Bench legs, shelves, and trays are handcrafted from solid maple wood.
- ▶ Seats are sustained by a flexible network of durable, interwoven nylon webbing designed for evenly dispersed support and hours of comfort.



Cushion cores are made with dense, eco-friendly foam made partly from sustainable, plant-based material.

- ▶ Seat cushions are padded with poly-fiber to create a relaxing “sink-into” feel.
- ▶ Keep your furniture looking its best. Visit arhaus.com or speak to any Arhaus Design Consultant for care recommendations.



ARHAUS

your home

devereaux



55" High Queen Bed

67" w x 91" d x 55" h

Tufted

View Otter/Hickory 45DEVQN2
Taranto Zinc/Fossil 45DEV55ZQN

Non-tufted version available by special order*

55" High King Bed

83" w x 91" d x 55" h

Tufted

View Otter/Hickory 45DEVKG2
Taranto Zinc/Fossil 45DEV55ZKG

Non-tufted version available by special order*

55" High California King Bed*

79" w x 95" d x 55" h

Non-tufted version available by special order*



63" High Queen Bed

67" w x 91" d x 63" h

Tufted

View Otter/Hickory 45DEVQN63
Taranto Zinc/Fossil 45DEV63ZQN

Non-Tufted

Dansby Pewter/Fossil
45DEVNTQN63

63" High King Bed

83" w x 91" d x 63" h

Tufted

View Otter/Hickory 45DEVKG63
Taranto Zinc/Fossil 45DEV63ZKG

Non-Tufted

Dansby Pewter/Fossil 45DEVNTKG63

63" High California King Bed*

79" w x 95" d x 63" h

Non-tufted version available by special order*



70" High Queen Bed*

67" w x 91" d x 70" h

Tufted

View Otter/Hickory 45DEVQN70
Taranto Zinc/Fossil 45DEV70ZQN

Non-tufted version available by special order*

70" High King Bed*

83" w x 91" d x 70" h

Tufted

View Otter/Hickory 45DEVKG70
Taranto Zinc/Fossil 45DEV70ZKG

Non-tufted version available by special order*

70" High California King Bed*

79" w x 95" d x 70" h

Non-tufted version available by special order*

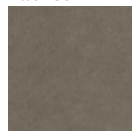


Bench

55" w x 20" d x 20" h

View Otter/Hickory 45DEVBNCH3

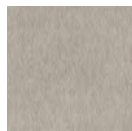
Fabrics:



View Otter

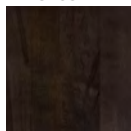


Taranto Zinc

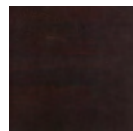


Dansby Pewter

Finishes:



Fossil



Hickory

your style your way

Craft a custom design that tells your style story. This collection is available in special-order **Fabrics, Leathers, Finishes, and More.**

Ask in store or call **866.427.4287**

*special order only

glamorous and enchanting

This update on a classic upholstered bed infuses your space with sophistication. Its simple, angular silhouette is softened by gently curving “wings” and distinguished by distinctive detailing. The grand, soft, and pillowy headboard is painstakingly upholstered by hand, swathed in sumptuously soft fabric, adding a dramatic focal point that heightens the style of any well-dressed space. Thick layers of padding enfold all surfaces including the footboard and side rails, allowing this piece to float beautifully anywhere in your room.

product details

- ▶ Craftsman-built frames are constructed using solid, reinforced, laminate hardwood for lasting strength and superior stability.
- ▶ Solid hardwood panels rest on solid wood braces attached to the frame's side rails for reliable mattress support.
- ▶ Made in America—this collection was handcrafted by upholstery artisans in North Carolina.
- ▶ Arhaus upholstery is made using wood certified by the Sustainable Forestry Initiative.
- ▶ Lightly tapered solid, wood, block feet enhance this collection's transitional styling.
- ▶ Matching fabric welting enhances the distinctive lines of each silhouette.
- ▶ Frames are padded in dense, eco-friendly foam and poly-fiber wrapped in casings that maintain the padding's shape.
- ▶ Bed frames include space to accommodate variances in mattress sizes and allow bedding to be tucked into frame.
- ▶ King beds feature a frame cavity of 78.75" w x 82.75" d.
- ▶ Queen beds feature a frame cavity of 62.75" w x 82.75" d.
- ▶ Upholstered beds are offered in both tufted and non-tufted versions.
- ▶ Keep your furniture looking its best. Visit arhaus.com or speak to any Arhaus Design Consultant for care recommendations.



BEDROOM PARTS SKUS

Super Category	Product ID	Description	Collection	Route
BEDROOM	CS07BDKGFB	07BD-K3G UPH. F/B REPLACEMENT FOOTBOARD ONLY	PT-DEVER	PARGD
BEDROOM	CS07BDQ3RL	07BD-Q3 SIDE RAIL FABRIC	PT-DEVER	
BEDROOM	CS07BDQ3FB	07BD-Q3 UPH. F/B REPLACEMENT FOOTBOARD ONLY	PT-DEVER	
BEDROOM	91DEVSUPLEG	DEVEREAUX BED SUPPORT LEG USED FOR DEVEREAUX AND FELIX	PT-DEVER	PART
BEDROOM	91DEVBNCHHG	DEVEREAUX BENCH HINGES 2PC 2 HINGES PER SET	PT-DEVER	PART
BEDROOM	91DEVSPRNG	DEVEREAUX BENCH SPRING SPRING ONLY	PT-DEVER	PART

ARHAUS®

your home

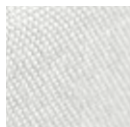
edie



Bench
55" w x 20" d x 20" h
Gibson Flannel/Rough Black 45EDIEBF
Devere Ivory/Brass 45EDIEBI



20" Bench
20" w x 20" d x 20" h
Devere Blush/Chrome 45EDIECB

Fabrics:Gibson
FlannelDevere
IvoryDevere
Blush**Finishes:**Rough
Black

Brass



Chrome

luxe accent seating

A plush companion to our Palmer collection, our Edie benches are artisan-designed with versatile style and chic comfort. Generous upholstery is covered in neutral fabrics to complement any aesthetic. Hand-finished metal frames provide stability and resilience. And, channel-stitched cushions will add a sense of luxury to any bedroom or foyer.

product details

- ▶ Craftsman-built frames are built from welded iron or stainless steel.
- ▶ Pieces upholstered in our Gibson Flannel fabric are framed in iron hand-finished with a Rough Black powder coating, which is 10 times more durable than paint and protects against water and rust.
- ▶ Pieces upholstered in our Devere Ivory fabric are framed in iron hand-painted in a Brass tone.
- ▶ Pieces upholstered in our Devere Blush fabric are framed in stainless steel, featuring our Chrome finish.
- ▶ Bench seats are channel stitched and generously padded for luxurious style and sink-into comfort.
- ▶ Keep your furniture looking its best. Visit arhaus.com or speak to any Arhaus Design Consultant for care recommendations.



DISCONTINUED**ARHAUS®**

your home

evanston**King Bed**

77" w x 84" d x 56" h
 Rust 45EVANKG2
 White 45EVANKGW

Queen Bed

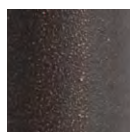
61" w x 84" d x 56" h
 Rust 45EVANQN2
 White 45EVANQNW2

Full Bed

55" w x 77" d x 58" h
 Rust 45EVANFL2
 White 45EVANFLW2

Twin Bed

40" w x 77" d x 58" h
 Rust 45EVANTW2
 White 45EVANTWW2

Finishes:

Rust



White

classic victorian elegance

The simple lines of our custom-crafted, hand-forged, iron Evanston Bedroom Collection mimic the regal style of a classic Victorian bed. Elegant, solid cast-iron frames feature meticulous floret detailing that accentuates their chic, minimalistic silhouettes. Finishes are hand-painted and distressed to achieve a unique effect, which resembles the time-worn patina of an authentic antique. A good value with simple styling, Evanston pairs beautifully with a variety of case-piece styles and bedroom aesthetics.

product details

- ▶ Headboards and footboards are constructed of solid hand-forged iron with cast-iron floret detailing.
- ▶ Finishes feature many layers of paint and distressing to achieve the antique patina.
- ▶ Finishes are powder-coated for additional protection.
- ▶ Footboards are 41" high.
- ▶ Bed frames can support our Retreat Adjustable Motion Bases.
- ▶ When paired with Evanston Beds, Retreat Motion Bases require leg extensions to fit bed frames. Leg Extensions are sold separately:
 - > King (requires 16 leg extensions; sold in packs of 4) sku: 917070EXTEND
 - > Twin, Full, & Queen (required 8 leg extensions; sold in packs of 4) sku: 917070EXTEND
- ▶ Leg extensions are designed to be used with Retreat Motion Bases only. Ask any of our in-store Design Consultants or call 866.427.4287 for details.
- ▶ Keep your furniture looking its best. Visit arhaus.com or speak to any Arhaus Design Consultant for care recommendations.



BEDROOM PARTS SKUS

Super Category	Product ID	Description	Collection	Route
BEDROOM	91EVANHW	EVANSTON BED ASSEMBLY HARDWARE ALL SIZES	PT-EVANSTN	PART
BEDROOM	91EVANFLSLT	EVANSTON BED SLATS FULL	PT-EVANSTN	PART
BEDROOM	91EVANKGSLT	EVANSTON BED SLATS KING	PT-EVANSTN	PART
BEDROOM	91EVANQNSLT	EVANSTON BED SLATS QUEEN	PT-EVANSTN	PART
BEDROOM	91EVANTWSLT	EVANSTON BED SLATS TWIN	PT-EVANSTN	PART
BEDROOM	91EVANLEG	EVANSTON BED SUPPORT LEG	PT-EVANSTN	PART

ARHAUS®

your home

evelyn

**King Bed**

80.25" w x 85.5" d x 62.75" h

Nimbus/Devere Cobblestone

Cirrus/Devere Ivory

Stratus/Dove Grey

45EVENKGKT

45EVECKGKT

45EVESKGKT

Queen Bed

65.25" w x 85.5" d x 62.75" h

Nimbus/Devere Cobblestone

Cirrus/Devere Ivory

Stratus/Dove Grey

45EVENQNKT

45EVENCQNKT

45EVESQNKT

Full Bed

59" w x 82.75" d x 62.25" h

Nimbus/Devere Cobblestone

Cirrus/Devere Ivory

Stratus/Dove Grey

45EVENFLKT

45EVECFLKT

45EVESFLKT

Twin Bed

43.5" w x 82.75" d x 62.25" h

Nimbus/Devere Cobblestone

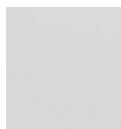
Cirrus/Devere Ivory

Stratus/Dove Grey

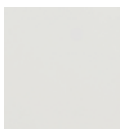
45EVENTWKT

45EVECTWKT

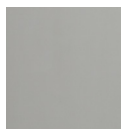
45EVESTWKT

Finishes:

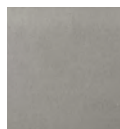
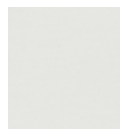
Nimbus



Cirrus



Stratus

Fabrics:Devere
Cobblestone

Devere Ivory



Dove Grey

your style your way

Craft a custom design that tells your style story.

This collection is available in special-order **Fabrics**.

Ask in store or call 866.427.4287

inspired by Greco-Roman architecture and furnishings,

neoclassical French design rose to popularity during the reign of Louis XVI. Our Evelyn Bedroom Collection reflects this classic style through straight lines and turned legs accentuated by hand-carved detailing fit for royalty. Meticulously applied finishes add warmth and softness to each piece. Furniture artisans thoughtfully paint, distress, and lacquer the carefully crafted mahogany and poplar surfaces, giving them the appearance of well-loved antiques.

product details

- ▶ Craftsman-built by Indonesian artisans, this collection is constructed using solid mahogany and poplar wood.
- ▶ Frames are corner-blocked and reinforced with mortise-and-tenon joinery for everyday durability and superior structural stability.
- ▶ Wooden surfaces are sanded, painted, and distressed by hand. Finished surfaces are lacquered for added protection and a subtle sheen
- ▶ Case pieces feature drawers mounted on full-extension, soft-close glides.
- ▶ Hardware features an antiqued brass finish.
- ▶ Beds feature upholstered headboards accentuated by flat, brass-colored nailheads.
- ▶ Bed frames include space to accommodate variances in mattress sizes and allow bedding to be tucked into frame.
- ▶ King bed frames have a cavity measuring 77.25" w x 80.25" d.
- ▶ Queen bed frames have a cavity measuring 62" w x 80.25" d.
- ▶ Full bed frames have a cavity measuring 56" w x 77" d.
- ▶ Twin bed frames have a cavity measuring 40" w x 77" d.
- ▶ This collection is artisan-crafted from natural materials with hand-applied finishes. Individual pieces may vary in color, pattern, shape, and texture, making each truly unique.
- ▶ Natural wood may display small splits, knots, joint lines, or other organic features that will not affect the quality or performance of your piece.
- ▶ Furniture made from natural wood may move slightly due to temperature and humidity. This is normal and should be expected from season to season.
- ▶ Keep your furniture looking its best. Visit arhaus.com or speak to any Arhaus Design Consultant for care recommendations.

mirror

- ▶ Mirrors can be hung vertically or horizontally. Hardware included.
- ▶ Professional installation recommended for mirrors; please consult a professional before hanging.
- ▶ Mirror weighs 44 lbs.



ARHAUS®

your home



2-Over-4 Dresser

40.5" w x 22.75" d x 56.25" h
 Nimbus 45EVEN24
 Cirrus 45EVEC24
 Stratus 45EVES24



7-Drawer Dresser

67.75" w x 22" d x 38.5" h
 Nimbus 45EVEN7DR
 Cirrus 45EVEC7DR
 Stratus 45EVES7DR



Nightstand

27.25" x 19.75" d x 28.75" h
 Nimbus 45EVENBT
 Cirrus 45EVECBT
 Stratus 45EVESBT

image not yet available

Open Nightstand

27" x 19.5" d x 28.75" h
 Nimbus 45EVENOBT
 Cirrus 45EVECOBT
 Stratus 45EVESOBT



Mirror

56" w x 1.5" d x 33.75" h
 Nimbus 45EVENMR
 Cirrus 45EVECMR
 Stratus 45EVESMR



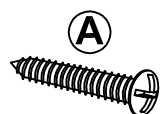
Cheval Mirror

38.25" w x 20.5" d x 72" h
 Nimbus 45EVENCHMR
 Cirrus 45EVECHMR
 Stratus 45EVESCHMR

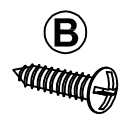
FURNITURE TIPPING RESTRAINT

Safety Mounting Assembly

HARDWARE



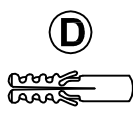
long screw (1 pc)



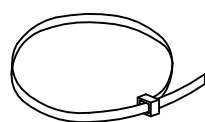
short screw (1 pc)



wall fitting (2 pcs)



plastic anchor (1 pc)



E

wall strap (1 pc)

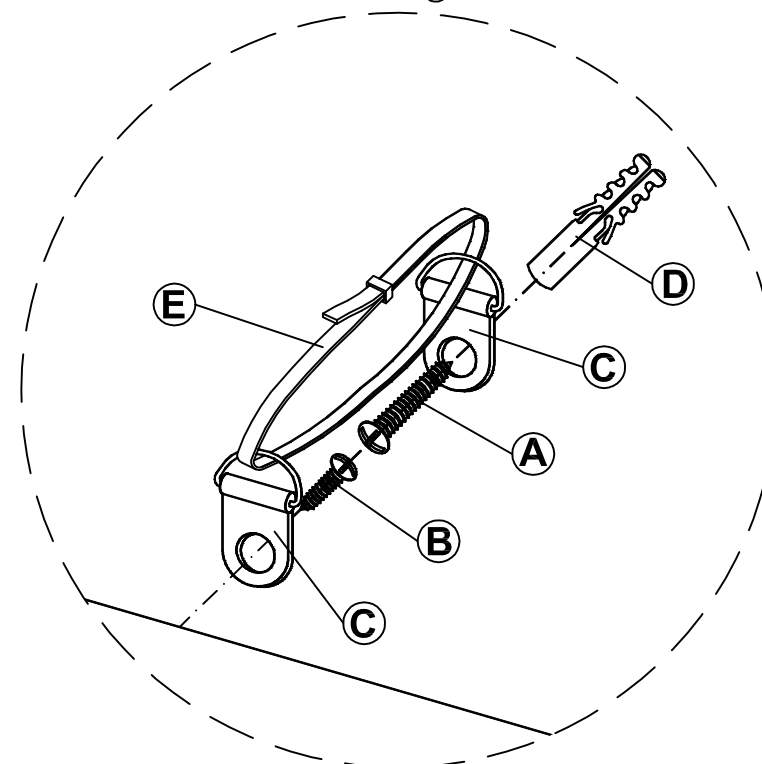
 Screw Driver (not included)

 Drill and 1/4" drill bit (not included)

Installation Instructions:

For added safety and stability, it is recommended that the wall mounting hardware be installed. For safe mounting, it is essential to use wall anchors appropriate to your wall type (i.e. Plaster, drywall, concrete, etc.). Mount to wood studs whenever possible.

- Attach **1 pc of wall fitting** to furniture as shown, using **small screw**.
- Determine the final position for the furniture. Mark position on the wall approximately 2" below the bracket mounted to the back of the unit.
- Drill a hole in the wall stud. If the wall stud is not available, drill a hole in the wall that is slightly smaller in diameter than the anchor. Gently tap the **plastic anchor** until the flange of the anchor is flush with the wall.
- Attach the **wall fitting** to the wall by inserting **large screw** through the wall fitting and into the **plastic anchor** in the wall.
- Place the unit so the wall fitting on the back edge is aligned with the wall fitting on the wall.
- Lace one end of the **wall strap** through both fittings, and into the other end of the strap.
- Pull the strap tightly until secure.

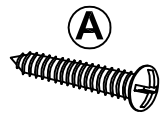


Any damage incurred to the furniture or the wall as a result of improper installation of this restraint will be the responsibility of the owner.

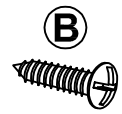
FURNITURE TIPPING RESTRAINT

Safety Mounting Assembly

HARDWARE



long screw (1 pc)



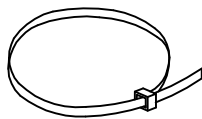
short screw (1 pc)



wall fitting (2 pcs)



plastic anchor (1 pc)



E

wall strap (1 pc)

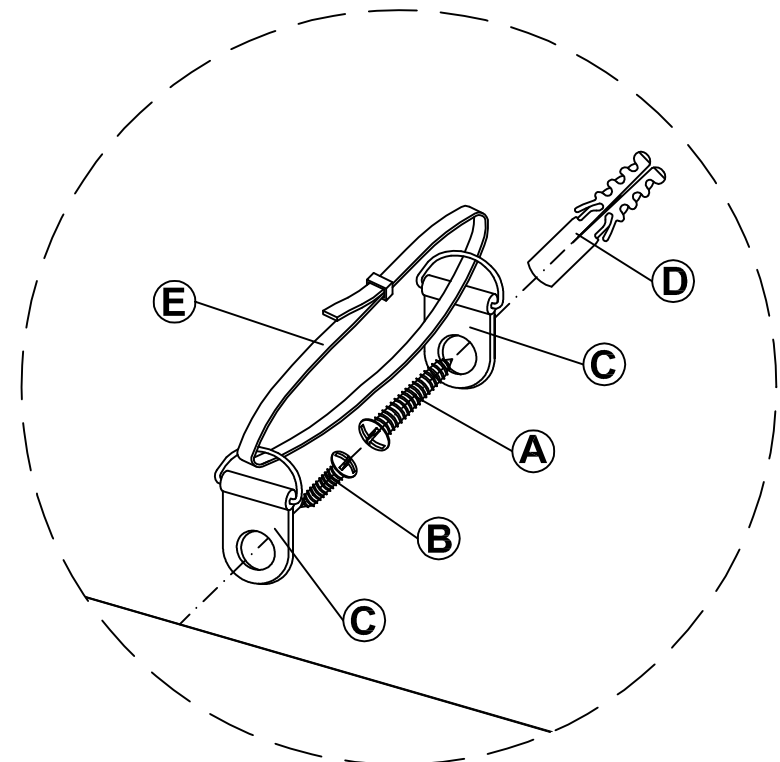
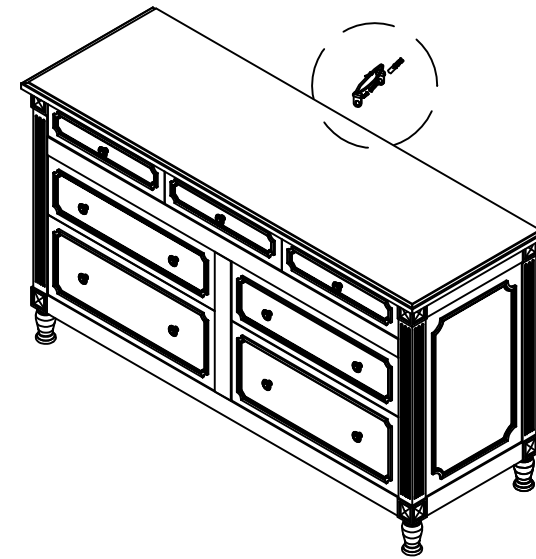
 Screw Driver (not included)

 Drill and 1/4" drill bit (not included)

Installation Instructions:

For added safety and stability, it is recommended that the wall mounting hardware be installed. For safe mounting, it is essential to use wall anchors appropriate to your wall type (i.e. Plaster, drywall, concrete, etc.). Mount to wood studs whenever possible.

- Attach **1 pc of wall fitting** to furniture as shown, using **small screw**.
- Determine the final position for the furniture. Mark position on the wall approximately 2" below the bracket mounted to the back of the unit.
- Drill a hole in the wall stud. If the wall stud is not available, drill a hole in the wall that is slightly smaller in diameter than the anchor. Gently tap the **plastic anchor** until the flange of the anchor is flush with the wall.
- Attach the **wall fitting** to the wall by inserting **large screw** through the wall fitting and into the **plastic anchor** in the wall.
- Place the unit so the wall fitting on the back edge is aligned with the wall fitting on the wall.
- Lace one end of the **wall strap** through both fittings, and into the other end of the strap.
- Pull the strap tightly until secure.

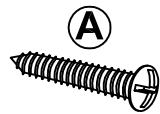


Any damage incurred to the furniture or the wall as a result of improper installation of this restraint will be the responsibility of the owner.

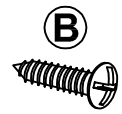
FURNITURE TIPPING RESTRAINT

Safety Mounting Assembly

HARDWARE



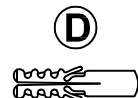
long screw (1 pc)



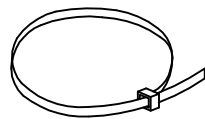
short screw (1 pc)



wall fitting (2 pcs)



plastic anchor (1 pc)



E

wall strap (1 pc)

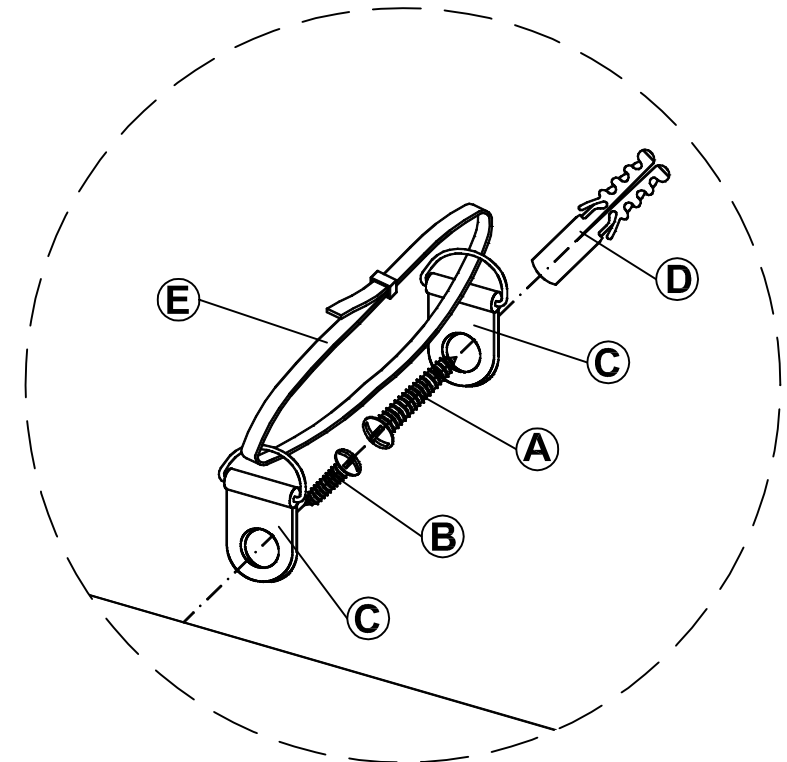
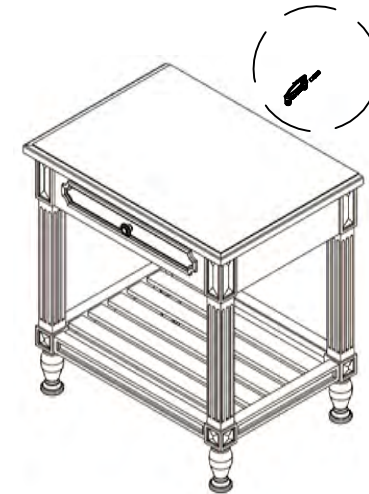
 Screw Driver (not included)

 Drill and 1/4" drill bit (not included)

Installation Instructions:

For added safety and stability, it is recommended that the wall mounting hardware be installed. For safe mounting, it is essential to use wall anchors appropriate to your wall type (i.e. Plaster, drywall, concrete, etc.). Mount to wood studs whenever possible.

- Attach **1 pc of wall fitting** to furniture as shown, using **small screw**.
- Determine the final position for the furniture. Mark position on the wall approximately 2" below the bracket mounted to the back of the unit.
- Drill a hole in the wall stud. If the wall stud is not available, drill a hole in the wall that is slightly smaller in diameter than the anchor. Gently tap the **plastic anchor** until the flange of the anchor is flush with the wall.
- Attach the **wall fitting** to the wall by inserting **large screw** through the wall fitting and into the **plastic anchor** in the wall.
- Place the unit so the wall fitting on the back edge is aligned with the wall fitting on the wall.
- Lace one end of the **wall strap** through both fittings, and into the other end of the strap.
- Pull the strap tightly until secure.

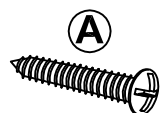


Any damage incurred to the furniture or the wall as a result of improper installation of this restraint will be the responsibility of the owner.

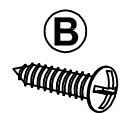
FURNITURE TIPPING RESTRAINT

Safety Mounting Assembly

HARDWARE



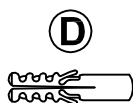
long screw (1 pc)



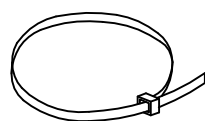
short screw (1 pc)



wall fitting (2 pcs)



plastic anchor (1 pc)



E

wall strap (1 pc)

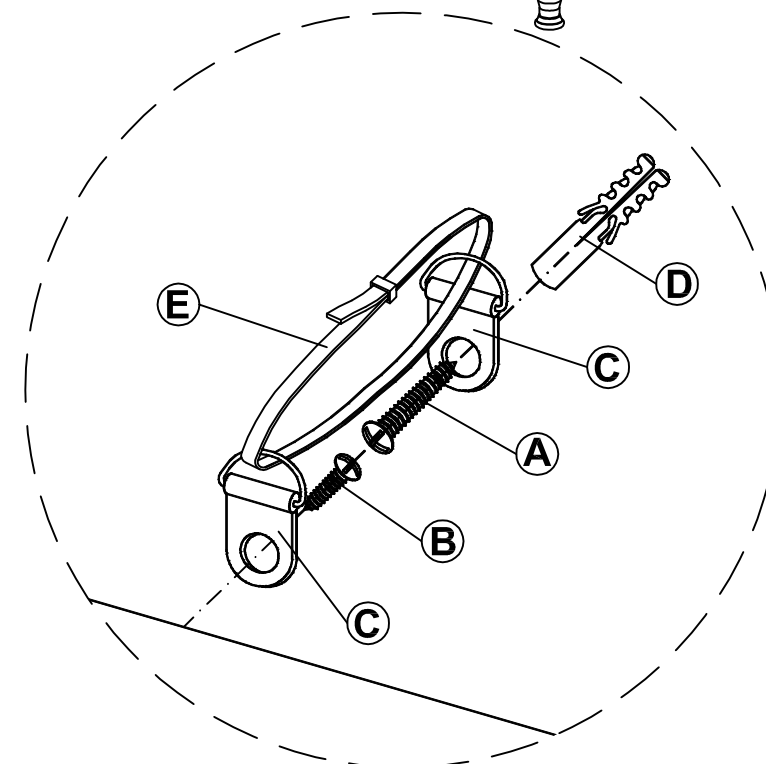
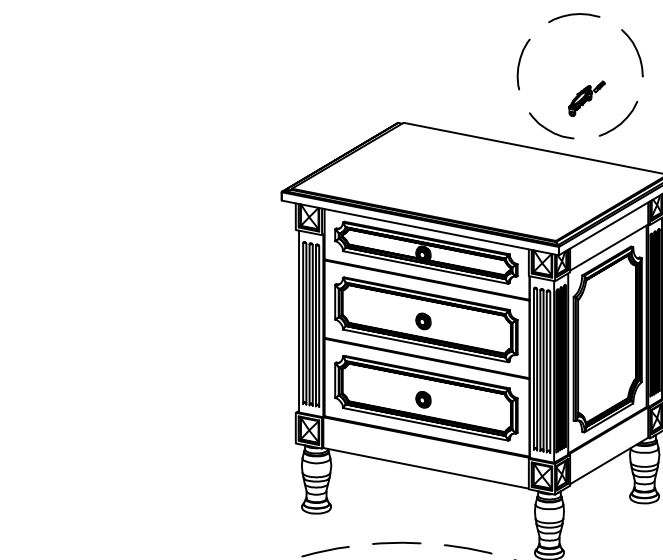
 Screw Driver (not included)

 Drill and 1/4" drill bit (not included)

Installation Instructions:

For added safety and stability, it is recommended that the wall mounting hardware be installed. For safe mounting, it is essential to use wall anchors appropriate to your wall type (i.e. Plaster, drywall, concrete, etc.). Mount to wood studs whenever possible.

- Attach **1 pc of wall fitting** to furniture as shown, using **small screw**.
- Determine the final position for the furniture. Mark position on the wall approximately 2" below the bracket mounted to the back of the unit.
- Drill a hole in the wall stud. If the wall stud is not available, drill a hole in the wall that is slightly smaller in diameter than the anchor. Gently tap the **plastic anchor** until the flange of the anchor is flush with the wall.
- Attach the **wall fitting** to the wall by inserting **large screw** through the wall fitting and into the **plastic anchor** in the wall.
- Place the unit so the wall fitting on the back edge is aligned with the wall fitting on the wall.
- Lace one end of the **wall strap** through both fittings, and into the other end of the strap.
- Pull the strap tightly until secure.

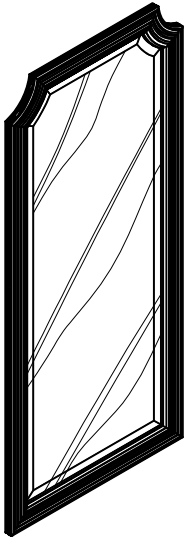
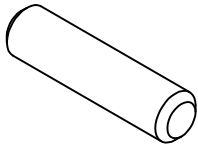
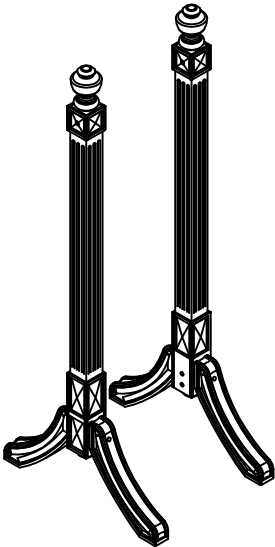
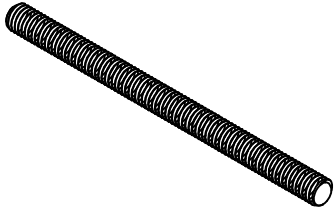
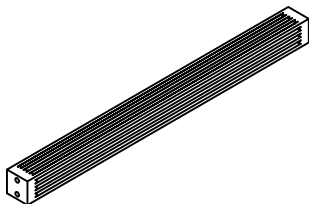
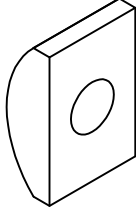
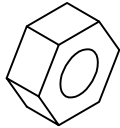
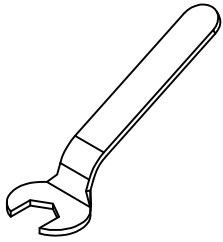
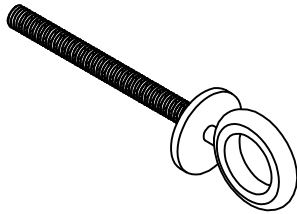
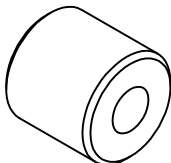


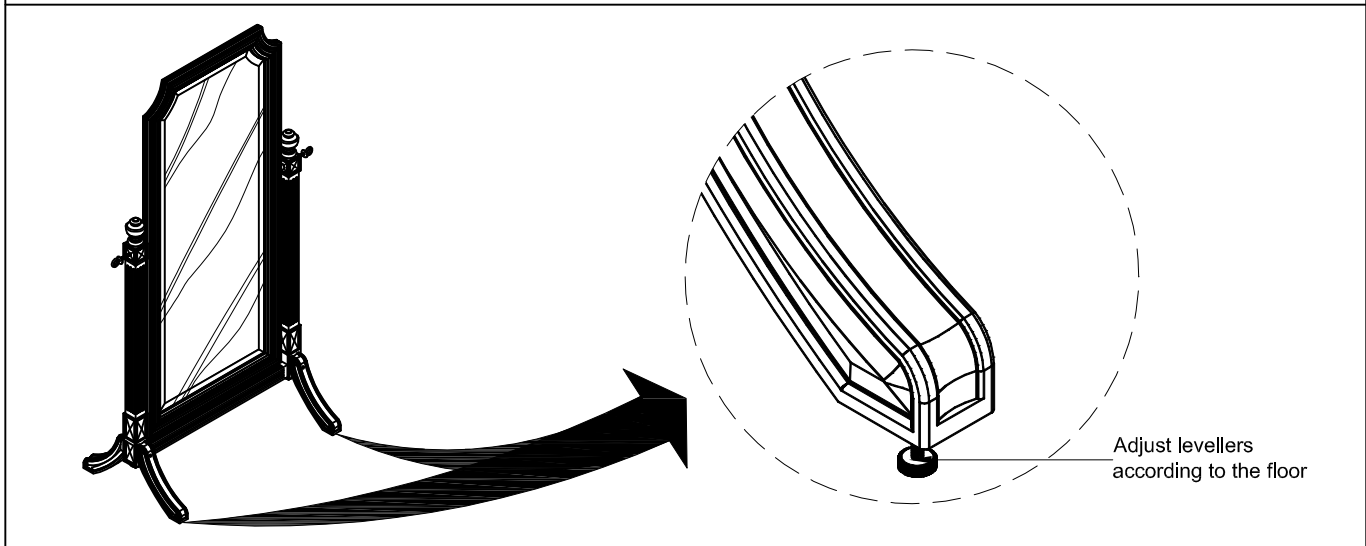
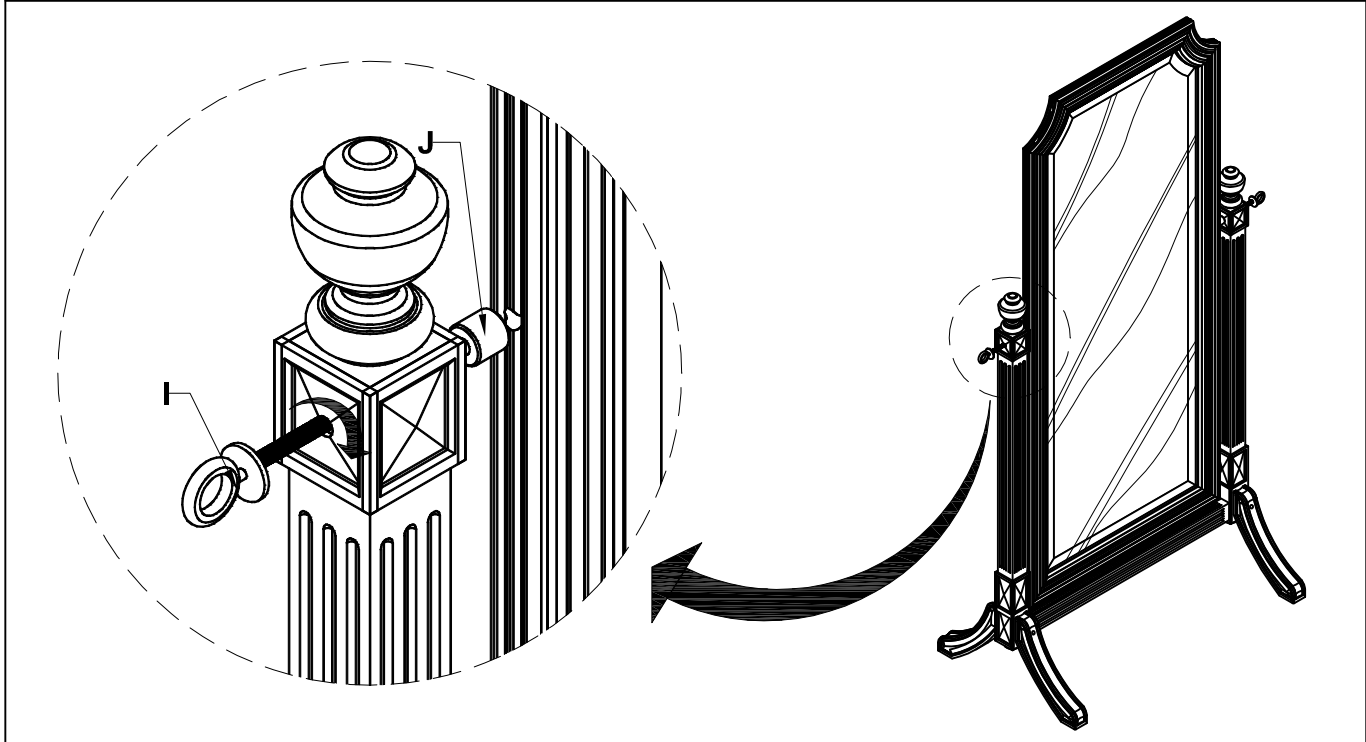
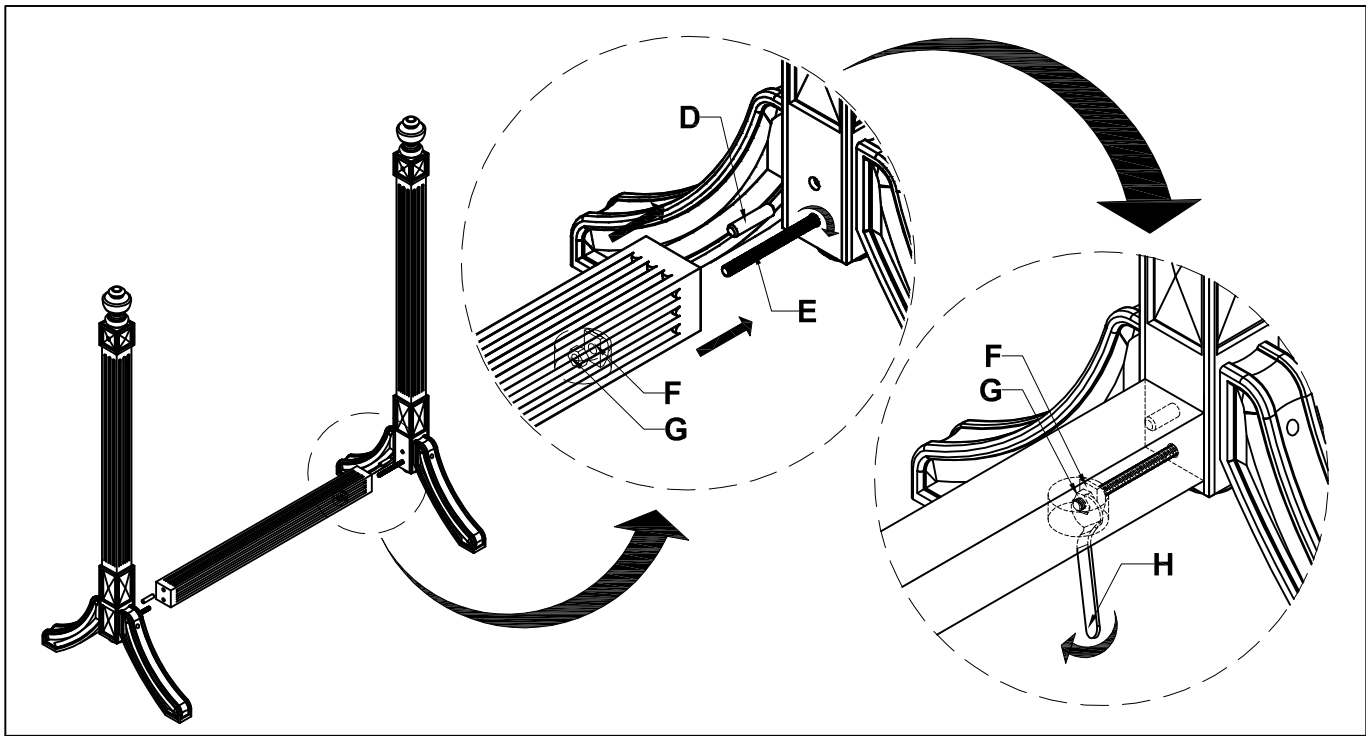
Any damage incurred to the furniture or the wall as a result of improper installation of this restraint will be the responsibility of the owner.

ASSEMBLY INSTRUCTIONS

EVELYN CHEVAL MIRROR

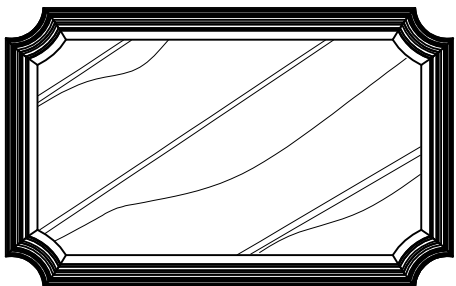
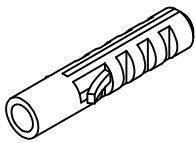
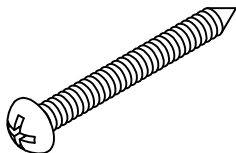
Parts List

A		1 pc	D		2 pcs
B		2 pcs	E		2 pcs
C		1 pc	F		2 pcs
			G		2 pcs
			H		1 pc
			I		2 pcs
			J		2 pcs

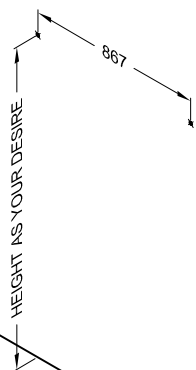


ASSEMBLY INSTRUCTIONS

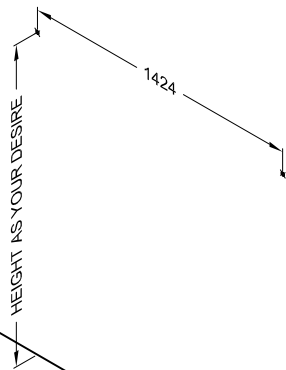
EVELYN MIRROR

NO.	PARTS LIST	QTY	NO.	PARTS LIST	QTY
1	(A)	1 Pc	2	(B)	2 Pcs
			3	(C)	2 Pcs
					
					

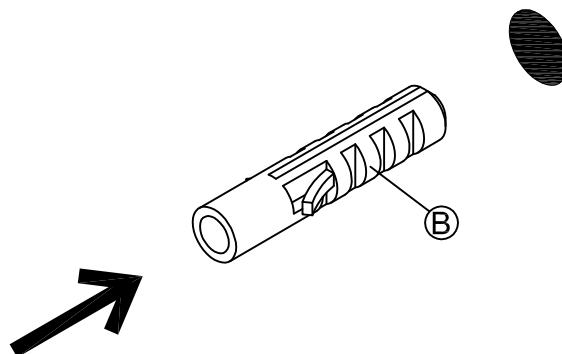
- ① **PORTRAIT POSITION**
Drill two Ø6mm holes with
867mm distance.



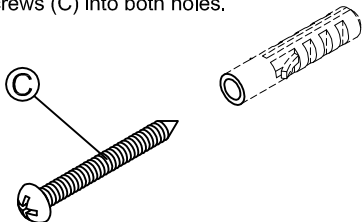
- LANDSCAPE POSITION**
Drill two Ø6mm holes with
1424mm distance.



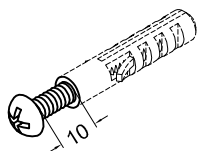
- ② Push two (2) Ø6mm fischer S6 (B) into both of holes .



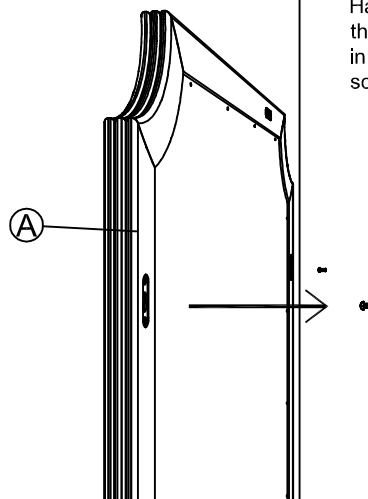
- ③ Screw two (2) screws (C) into both holes.



Leave screw head maximum 10mm from the holes



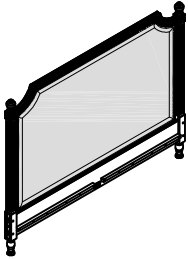
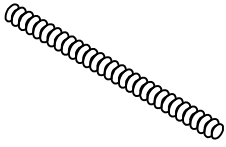
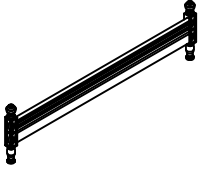
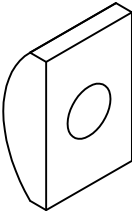
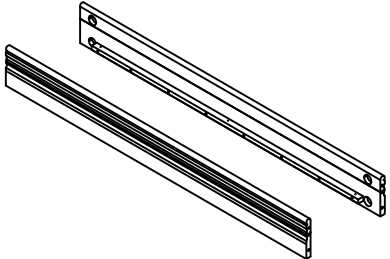
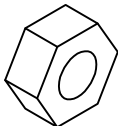
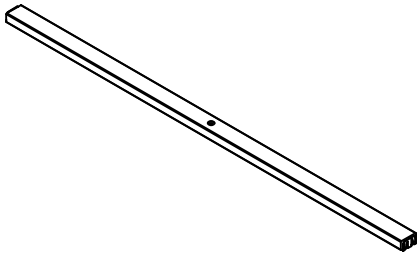
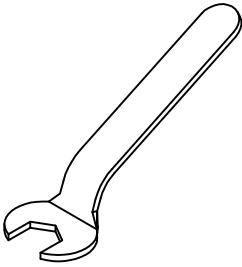

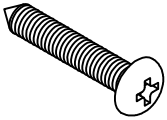
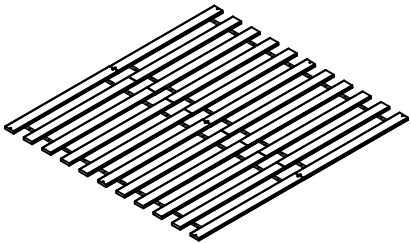
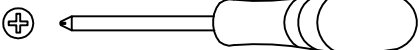
- ④ Hang the mirror (A) by put the mirror hanging holes in the back into screw on the wall.



ASSEMBLY INSTRUCTIONS

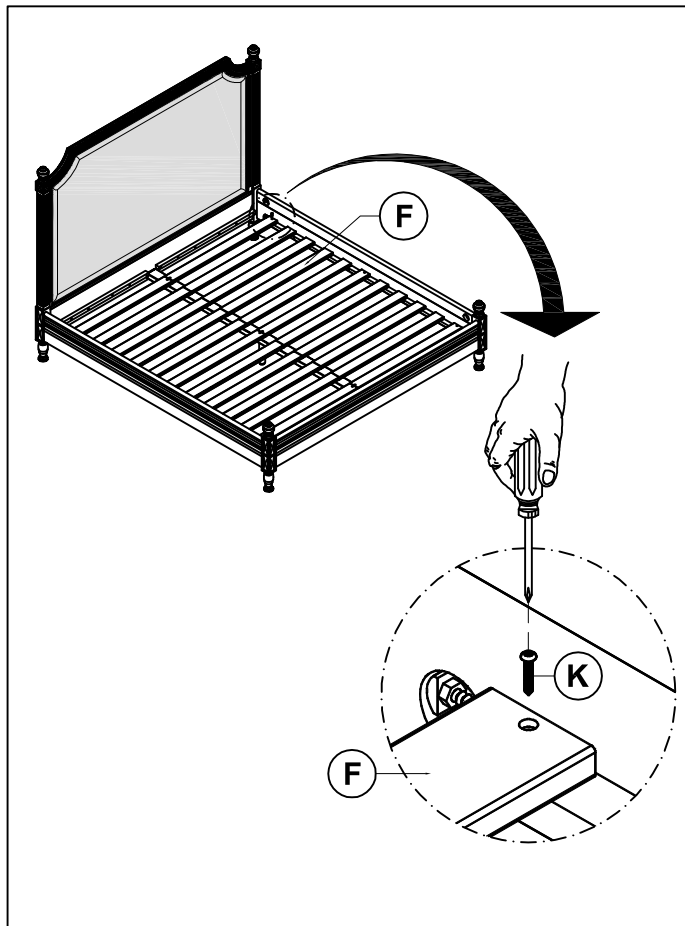
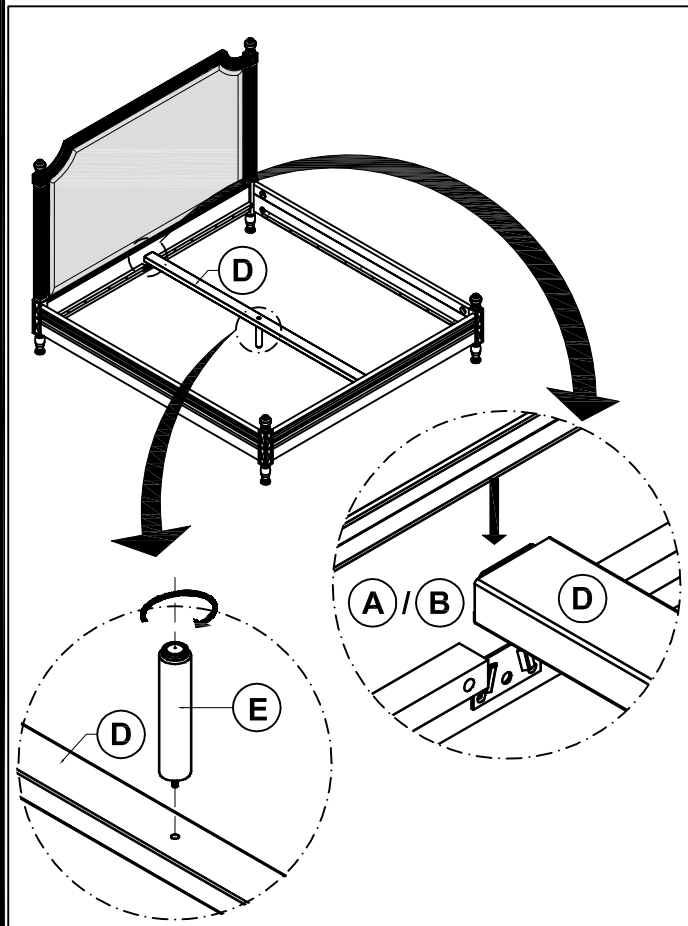
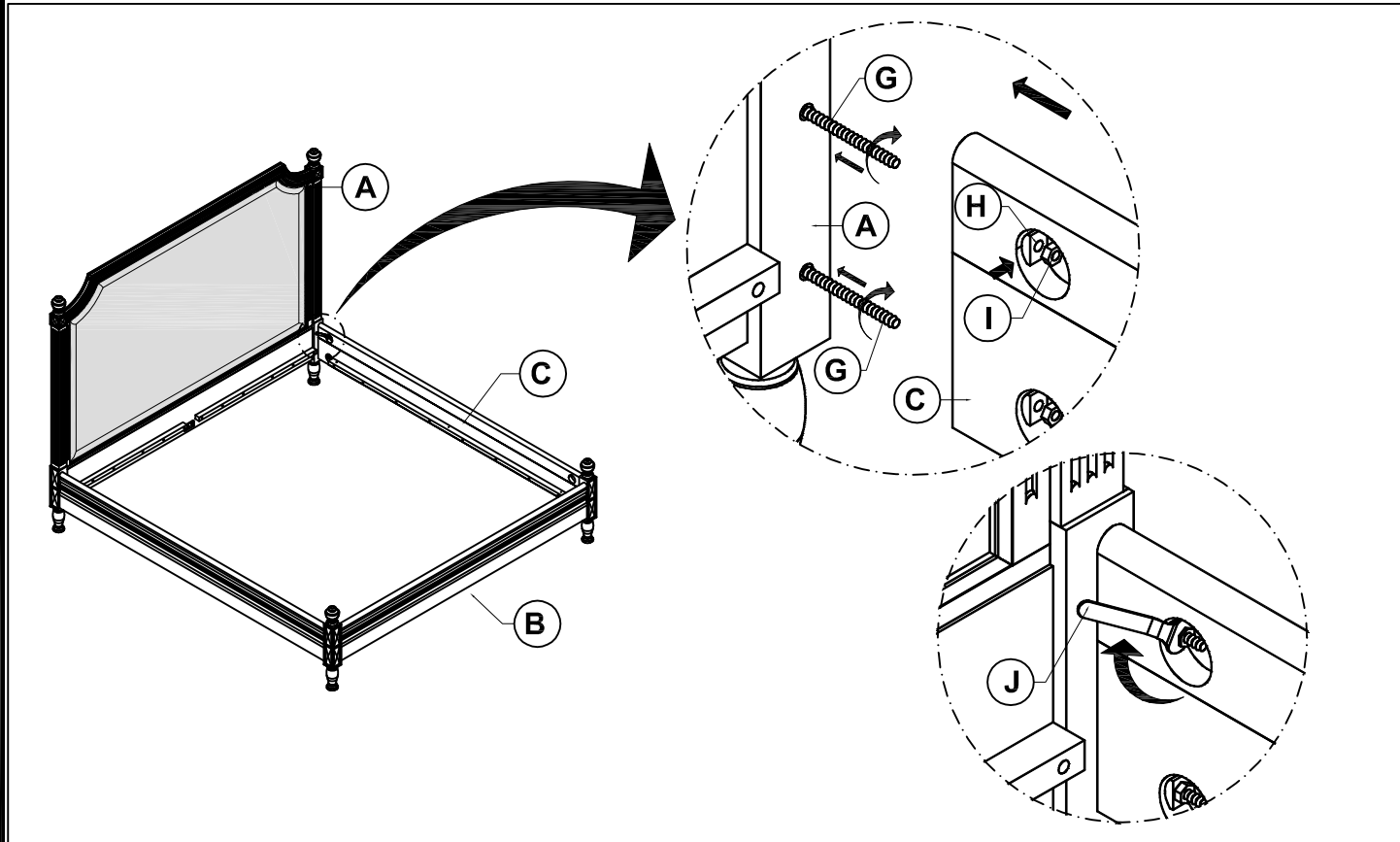
EVELYN KING BED

Parts List 91511EVEHW

A		1 pc	G		8 pcs
B		1 pc	H		8 pcs
C		2 pcs	I		8 pcs
D		1 pc	J		1 pc
E		1 pc	K		12 pcs
F		1 set	Tools (not included)		
					

ASSEMBLY INSTRUCTIONS

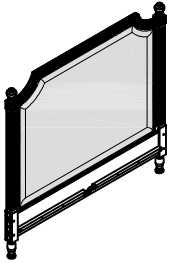
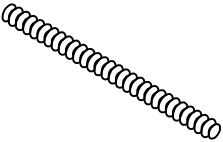
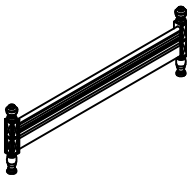
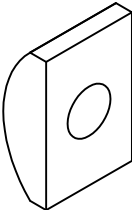
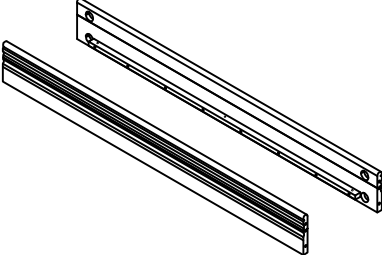
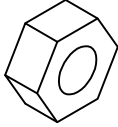
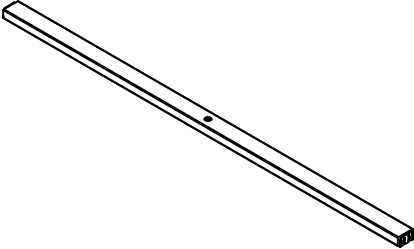
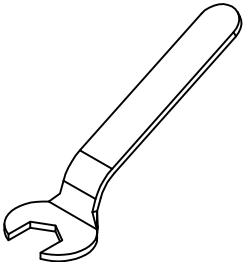

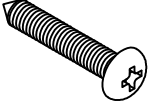
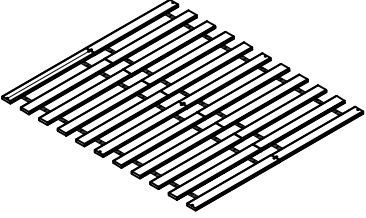
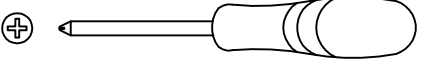
EVELYN KING BED



ASSEMBLY INSTRUCTIONS

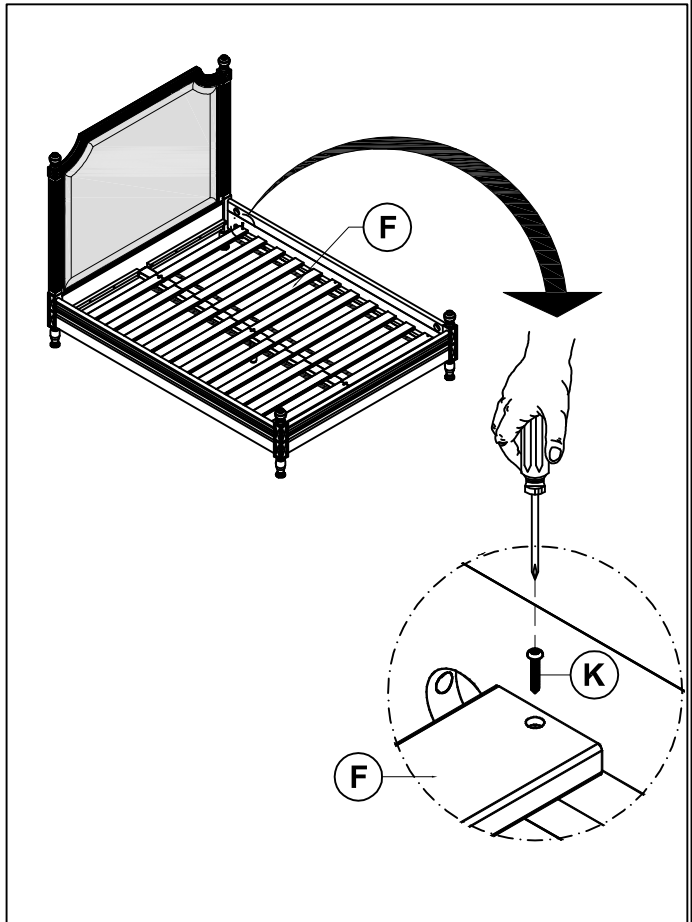
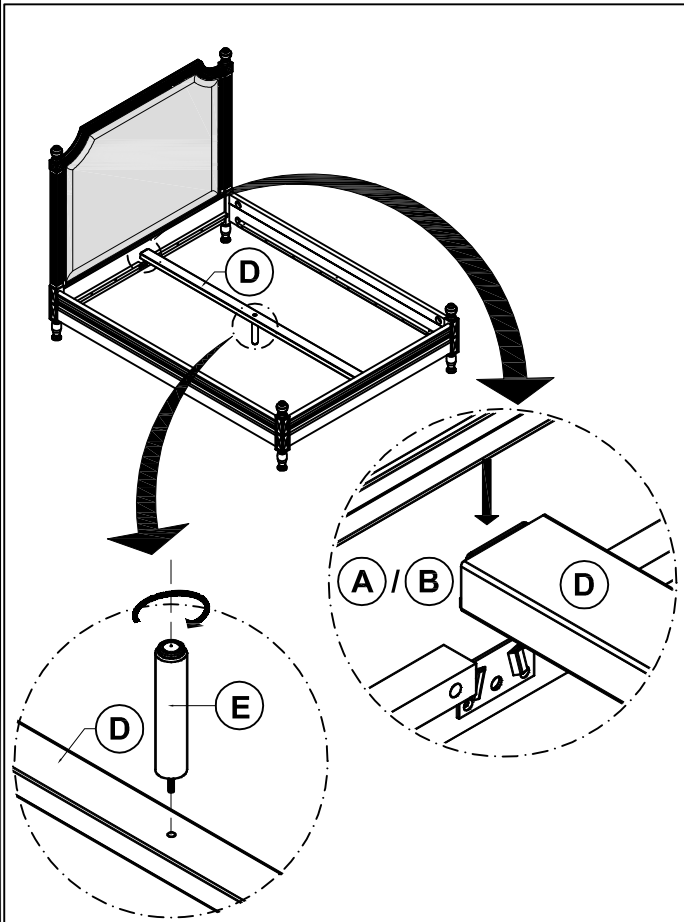
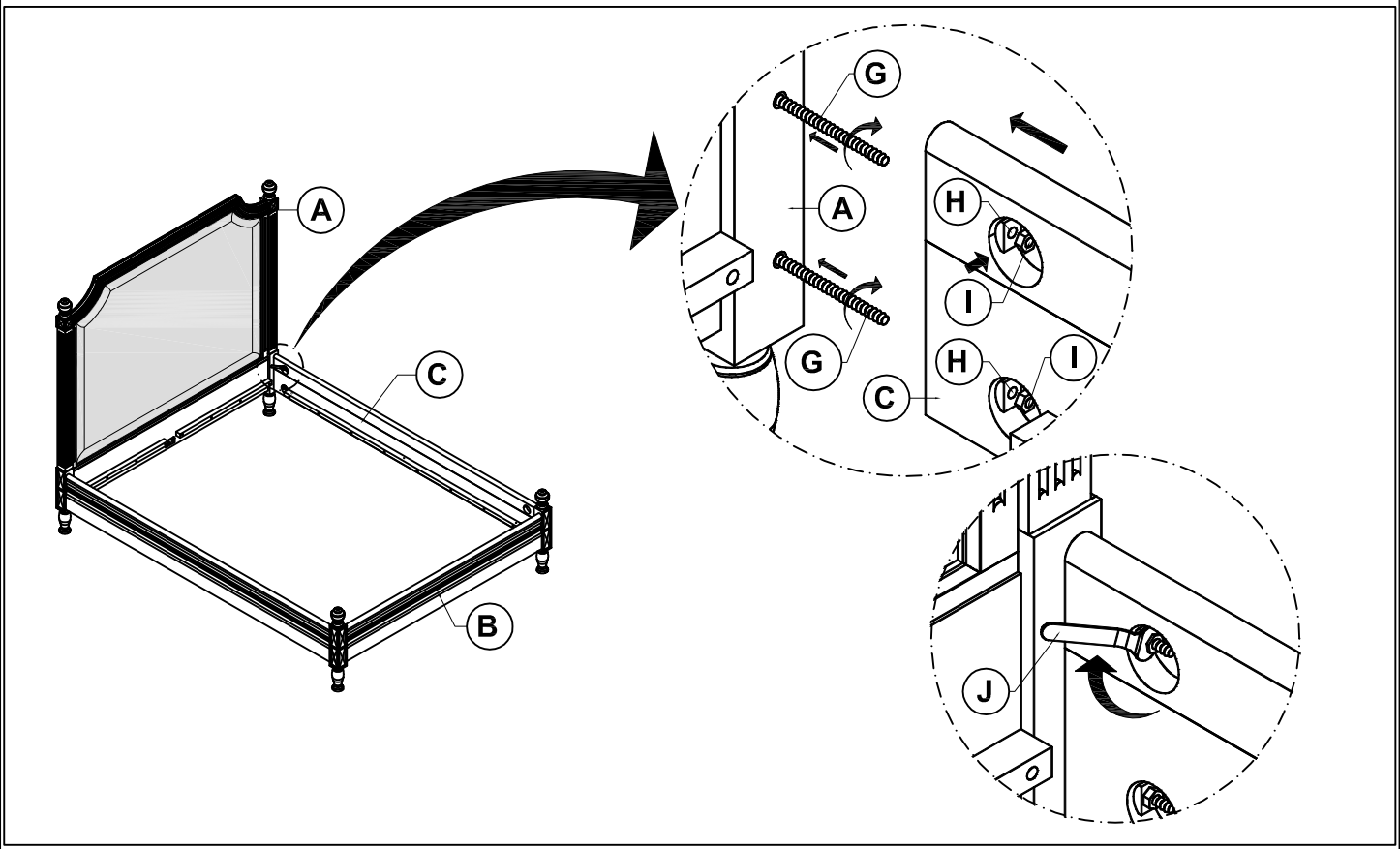
EVELYN QUEEN BED

Parts List 91511EVEHW

A		1 pc	G		8 pcs
B		1 pc	H		8 pcs
C		2 pcs	I		8 pcs
D		1 pc	J		1 pc
E		1 pc	K		12 pcs
F		1 set	Tools (not included) 		

ASSEMBLY INSTRUCTIONS

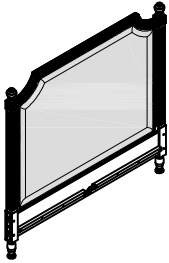
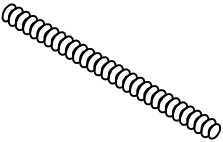
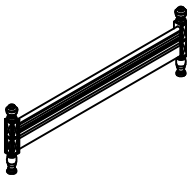
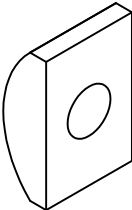
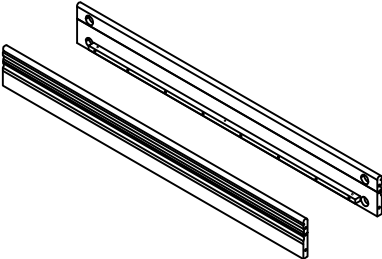
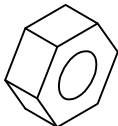
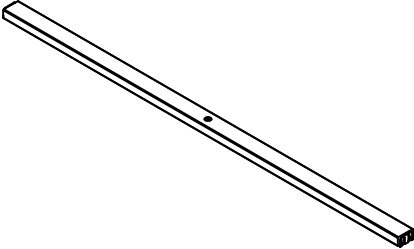
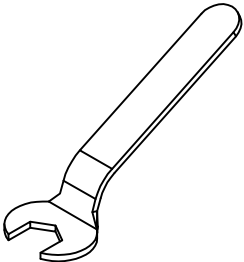
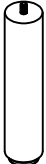
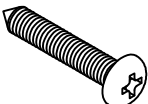
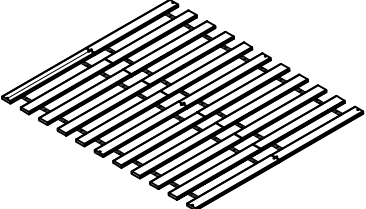
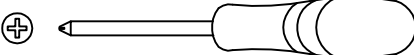
EVELYN QUEEN BED



ASSEMBLY INSTRUCTIONS

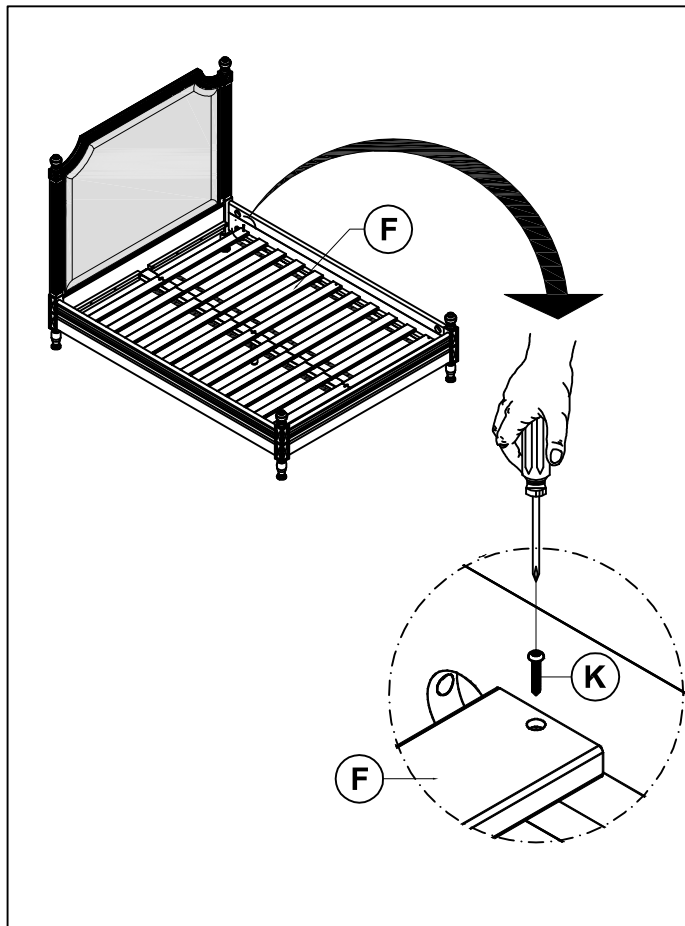
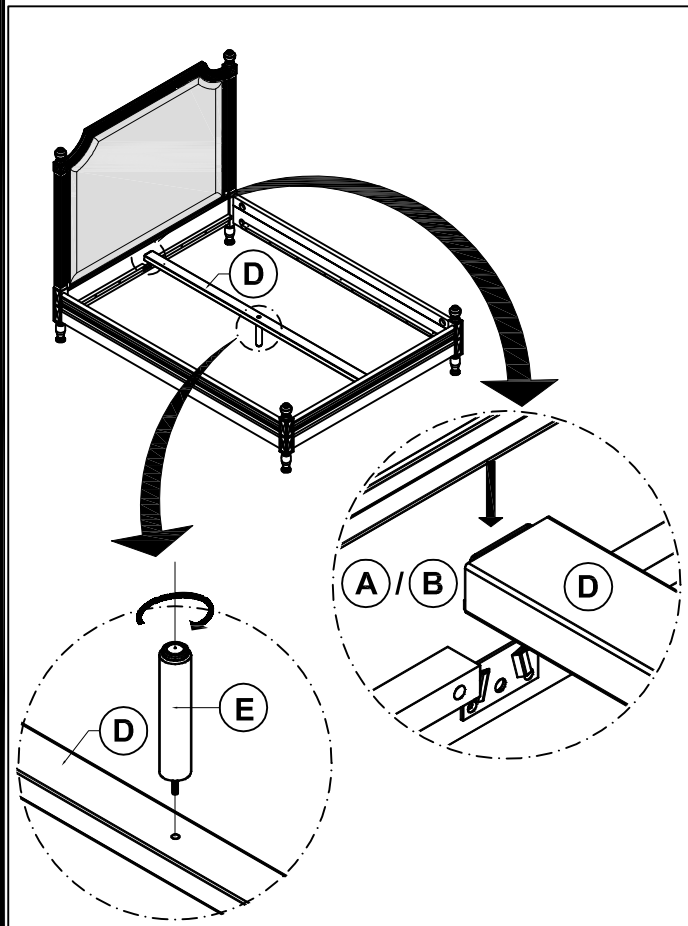
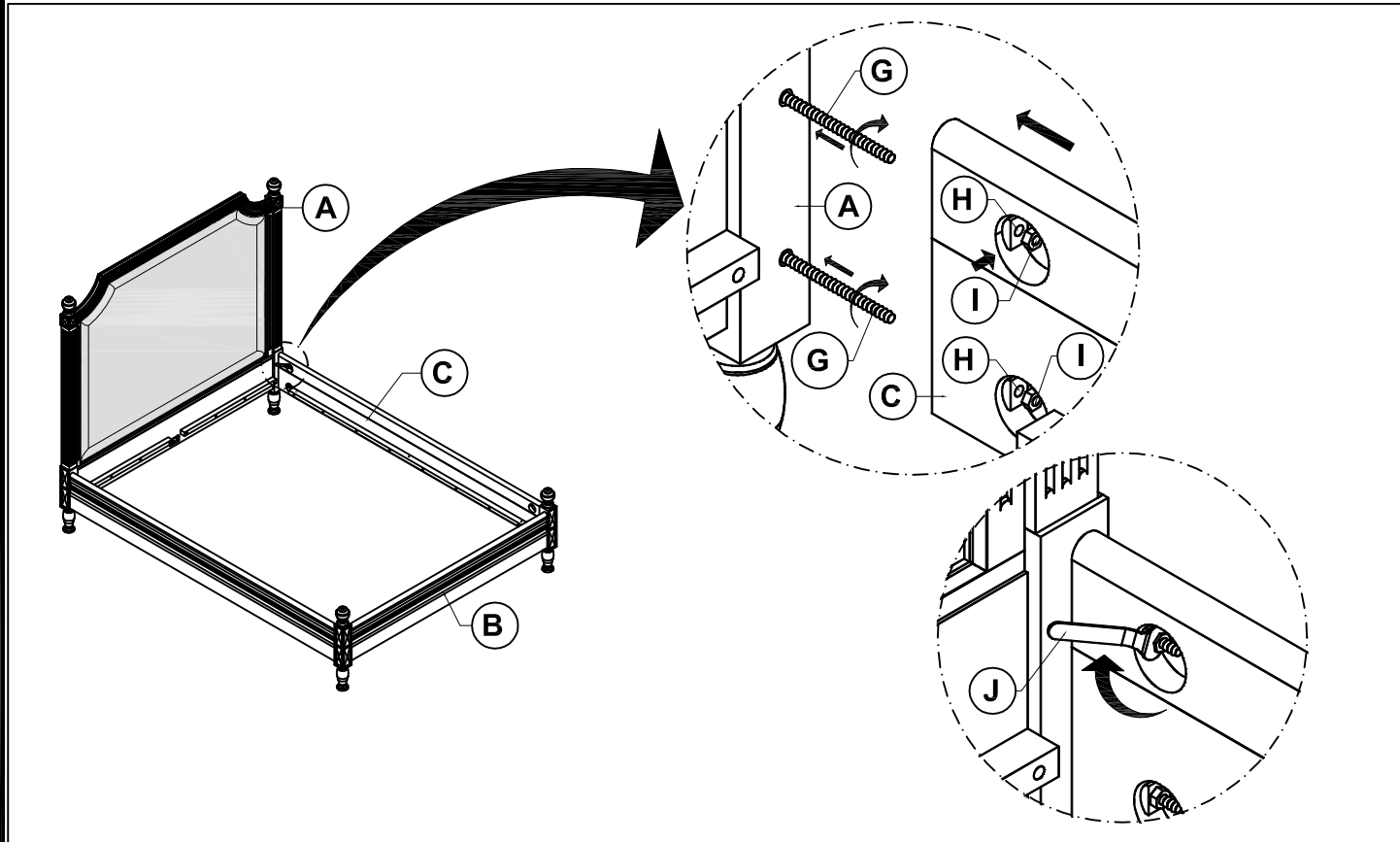
EVELYN FULL BED

Parts List 91511EVEHW

A		1 pc	G		8 pcs
B		1 pc	H		8 pcs
C		2 pcs	I		8 pcs
D		1 pc	J		1 pc
E		1 pc	K		12 pcs
F		1 set	Tools (not included) 		

ASSEMBLY INSTRUCTIONS

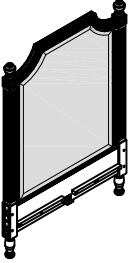
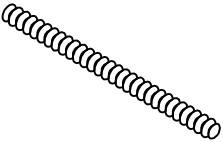
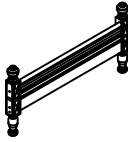
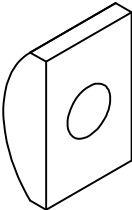
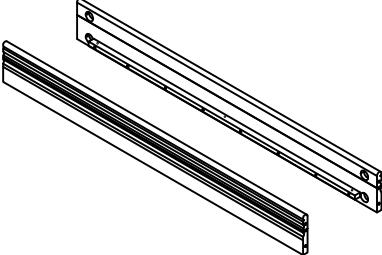
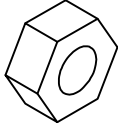
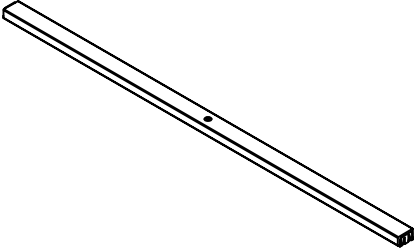
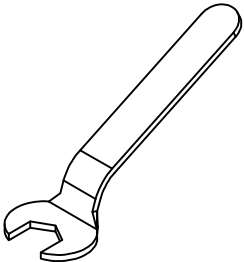

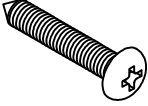
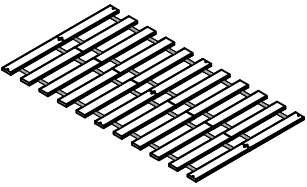
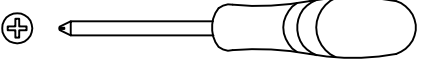
EVELYN FULL BED



ASSEMBLY INSTRUCTIONS

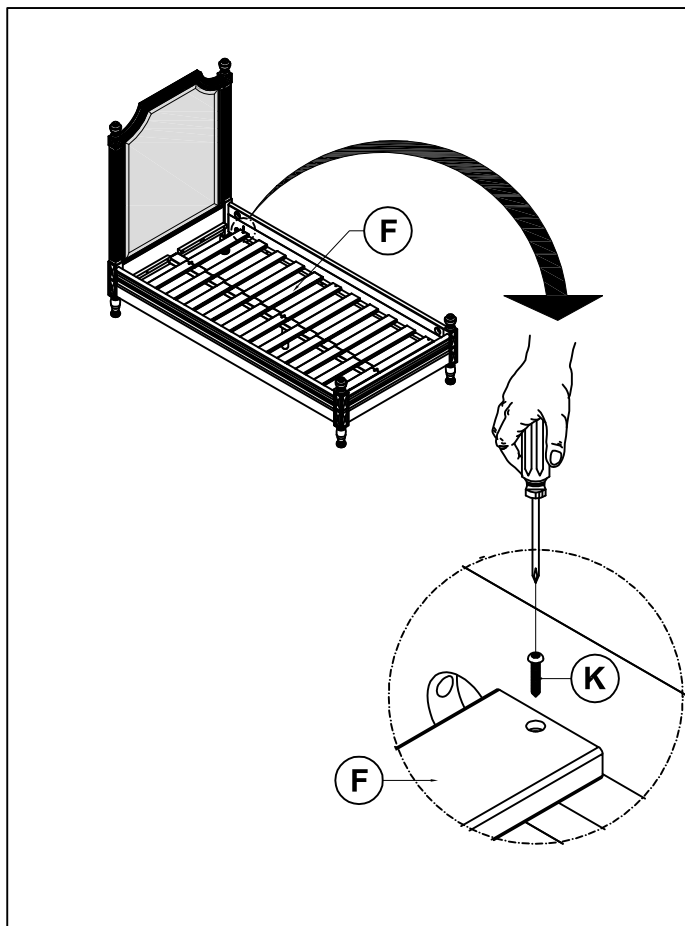
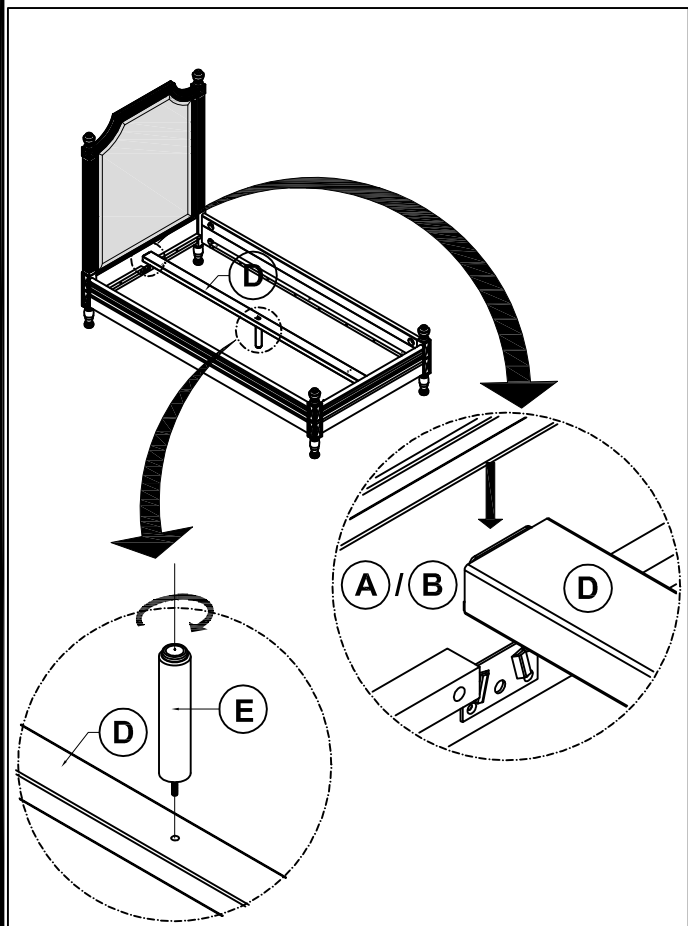
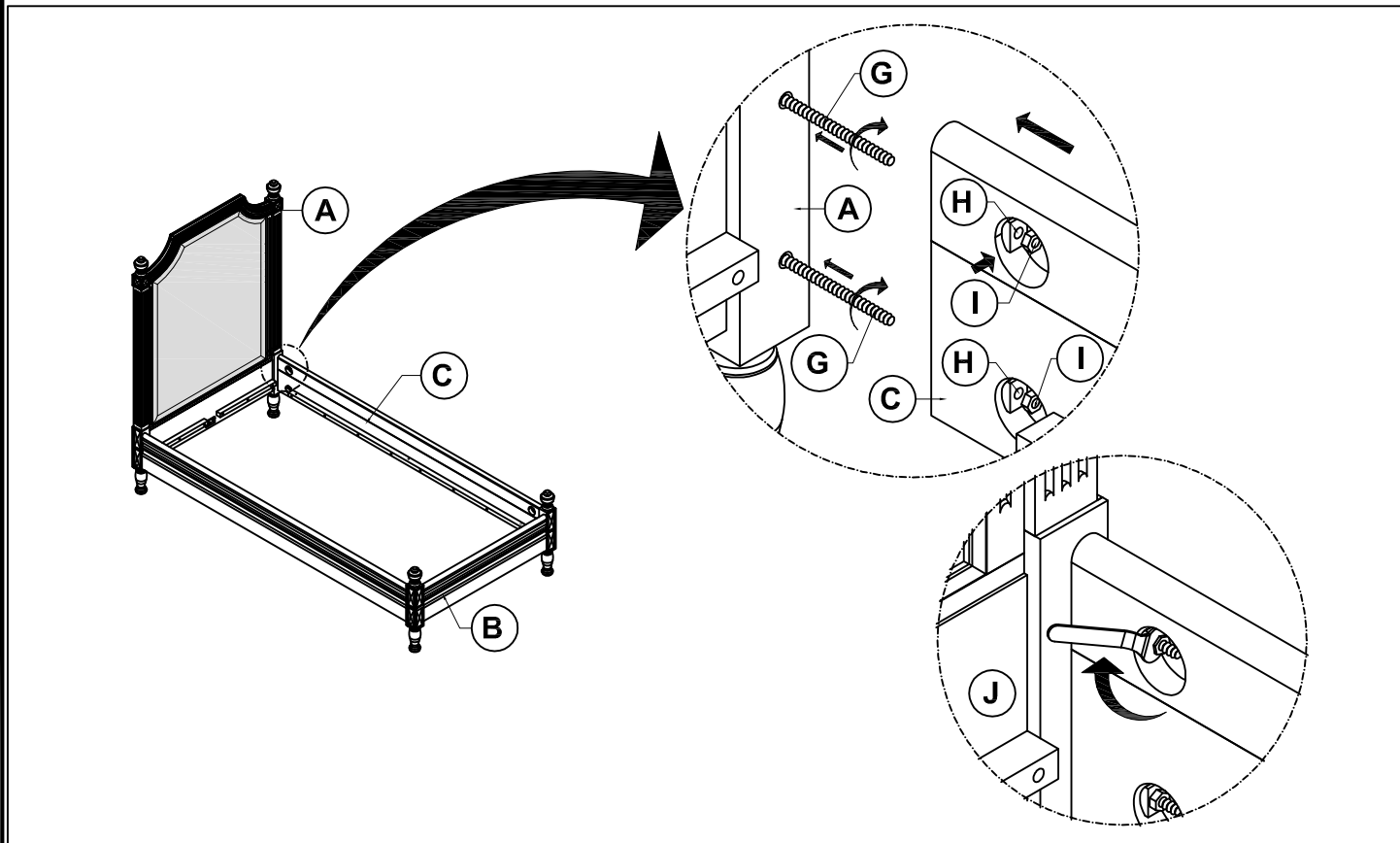
EVELYN TWIN BED

Parts List 91511EVEHW

A		1 pc	G		8 pcs
B		1 pc	H		8 pcs
C		2 pcs	I		8 pcs
D		1 pc	J		1 pc
E		1 pc	K		12 pcs
F		1 set	Tools (not included) 		

ASSEMBLY INSTRUCTIONS

EVELYN TWIN BED



BEDROOM PARTS SKUS

Super Category	Product ID	Description	Collection	Route
BEDROOM	91511EVEHW	EVELYN BED ASSEMBLY HDW	PT-EVELYN	PART
BEDROOM	91EVENAIL	EVELYN BED NAIL DECORATIVE NAIL ON HB/FB	PT-EVELYN	PART
BEDROOM	91EVMIRN	EVELYN CHEVAL MIR RING/LOCK NB	PT-EVELYN	PART
BEDROOM	91EVMIR	EVELYN CHEVAL MIRROR RING/LOCK	PT-EVELYN	PART
BEDROOM	91EVEGLD	EVELYN DRAWER GLIDES SET OF 2	PT-EVELYN	PART
BEDROOM	91EVEKNOB	EVELYN KNOB - ALL FINISHES ANTIQUE FINISH KNOB	PT-EVELYN	

ARHAUS®

your home

felix

**Queen Bed**

69" w x 90" d x 65" h

Vangogh Charcoal 45FELQNH

Dasher Ash 45FELDAQN

King Bed

84" w x 90" d x 57" h

Vangogh Charcoal 45FELKG

Dasher Ash 45FELDAKG

**California King Bed***

82" w x 94" d x 65" h

Queen Storage Bed

69" w x 90" d x 65" h

Dasher Ash 45FELIXQSBKT

Drawer interior 38" w x 23" d x 13.5" h

King Storage Bed

86" w x 90" d x 65" h

Dasher Ash 45FELIXKSBKT

Drawer interior 38" w x 23" d x 13.5" h

**Queen Headboard**

69" w x 5" d x 65" h

Vangogh Charcoal 45FELQNH

Dasher Ash 45FELDAQNH

King Headboard

84" w x 5" d x 65" h

Vangogh Charcoal 45FELKGH

Dasher Ash 45FELDAKGH

Metal Bed Frame

King

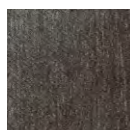
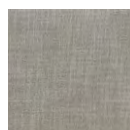
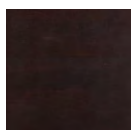
71" w x 76" d x 7.5" h

45KGMTFRMFM

Queen

71" w x 60" d x 7.5" h

45QNMTRMFM

Fabrics:Vangogh
CharcoalDasher
Ash**Finishes:**

Hickory



Fossil

your style your way

Craft a custom design that tells your style story.

This collection is available in special-order:

Fabrics and Leathers | Ask in store or call 866.427.4287

*available by special order

stunningly luxurious

Take your straightforward style to dramatic heights. Our Felix Bed Collection features luxuriously upholstered frames in stunning fabrics. Fabric-wrapped buttons, tufting, and striking double rows of hand-applied nailheads accentuate each frame, head- and footboard, creating a luxe foundation to your boudoir décor. Customize your look with an array of fabric, leather, and finish options and our in-store design centers. Ask a Design Consultant about ways to bring your style story to life.

product details

- ▶ Pieces upholstered in Vangogh Charcoal are hand-painted in our Hickory finish and feature pewter nailhead details.
- ▶ Pieces upholstered in Dasher Ash are hand-painted in our Fossil finish and feature steel nailhead details.
- ▶ Double rows of nailheads are applied by hand to frame and accentuate each headboard.
- ▶ Non-storage beds and headboards are accented with hand-sewn tufting accented with matching, fabric-wrapped buttons.
- ▶ To enhance and protect the hand-applied wood finishes, solid wood legs are brushed with a lacquer that creates a wear resistant surface.
- ▶ Craftsman-built frames are constructed using solid, reinforced, cross-directional hardwood laminate to ensure a strong and stable piece for years to come.
- ▶ Bed frames are fully padded in dense, eco-friendly foam and wrapped in poly fiber to create a cozy backdrop for hours of comfortable lounging.
- ▶ Delivering strong, reliable support to your mattress set, a trio of solid hardwood panels rest securely on solid wood braces attached to the inside of side rails.
- ▶ Storage beds feature two drawers on each side.
- ▶ Bed frames include space to accommodate variances in mattress sizes and allow bedding to be tucked into frame.
- ▶ Felix Queen Storage Beds accommodate mattresses up to 60.5" w x 83.5" d.
- ▶ Felix King Storage Beds accommodate mattresses up to 76.5" w x 83.5" d.
- ▶ Felix (non-storage) Queen Beds feature a frame cavity of 63" w x 82.5" d.
- ▶ Felix (non-storage) King Beds feature a frame cavity of 78.5" w x 82.5" d.
- ▶ Felix (non-storage) California King Beds feature a frame cavity of 74.5" w x 86.5" d
- ▶ Metal Bed Frames are made from reinforced recycled railroad steel supported by double center rails for increased strength and durability.



Felix Storage Bed Assembly

Hardware box is shipped in the Headboard / Footboard box
(8) 5/16"-18 x 1 1/2" Bolts/washers
(10) 2" wood screws

HARDWARE KIT: 91FELIXSHW



Attach drawer box to FB using (2) Bolts/washers
Align FB with holes on Drawer box – FB will be approx. 1" from floor



Attach drawer box to HB using (2) Bolts/washers
Align FB with holes on Drawer box – HB will be approx. 1" from floor



Place supports in drawer box
Secure with wood screws
(holes are not predrilled)



BEDROOM PARTS SKUS

Super Category	Product ID	Description	Collection	Route
BEDROOM	91FELIXSUPLEG	FELIX BED SUPPORT LEG	PT-FELIX	PART
BEDROOM	91FELIXSHW	FELIX STORAGE BED ASSEMBLY HW	PT-FELIX	PART
BEDROOM	91FELIXGLIDE	FELIX STORAGE BED GLIDE	PT-FELIX	PART

45GENNT

ASSEMBLING INSTRUCTION GENEVIEVE NIGHTSTAND

▶▶ Please wipe clean any color fluid spillage on the marble top immediately to prevent stain forming.

TOOLS NEEDED

Phillips head screwdriver (not provided)

HARDWARE LIST

A = Plastic brackets



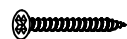
4Pcs

B = Restraint straps



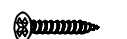
2Pcs

C = Phillips screws M4x30mm



4Pcs

D = Phillips screws M4x20mm



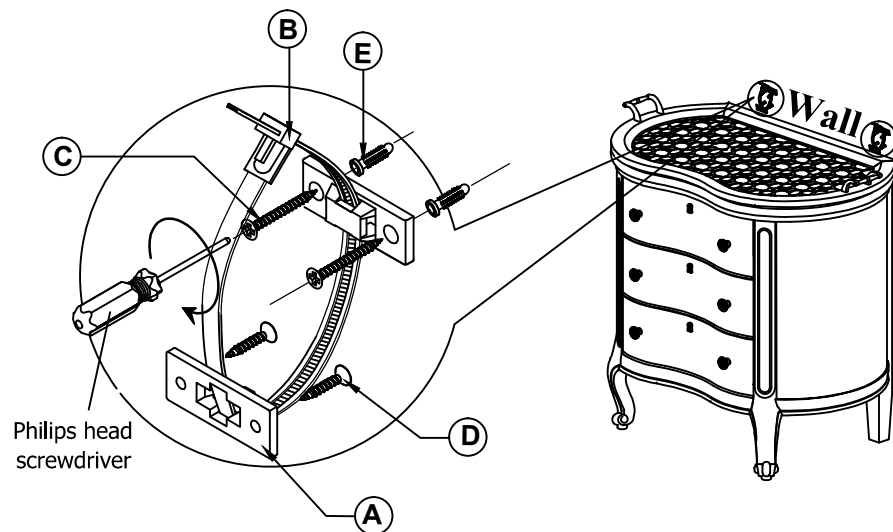
4Pcs

E = Plastic anchors



4Pcs

KNOB: 91GENKNB



1. Attach one of the mounting brackets near the top back edge of the furniture piece by inserting the shorter screws.
2. Determine the final position of the furniture piece. Mark location on the wall approximately 2" below the bracket mounted to the back of the furniture.
3. Drill a starter hole into the wall stud. If wall stud is not available, drill a hole into the wall and insert plastic anchor. Gently tap the anchor until the flange of the anchor is flush with the wall.
4. Attach the second bracket by inserting the longer screw through the bracket and into the wall.
5. Place the furniture so the bracket on the back edge is in line with the bracket in the wall.
6. Lace one end of the nylon restraint strap down through each bracket. Bring both ends together and slide the beaded end until it snap locks into the keyhole slot.
7. To double lock; return the beaded end back through the keyholes as shown.
8. Check to make sure the strap is securely laced and locked to the brackets.

45GENQN / 45GENKG ASSEMBLING INSTRUCTION GENEVIEVE QUEEN BED / KING BED

TOOLS NEEDED

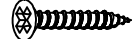
Phillips head screwdriver (not provided)

HARDWARE 91GENBED


A =  **8 Pcs**

B =  **8 Pcs**

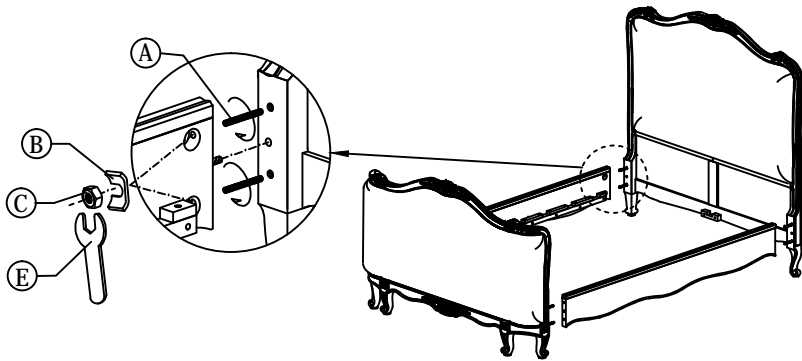
C =  **8 Pcs**

D =  **2 Pcs**

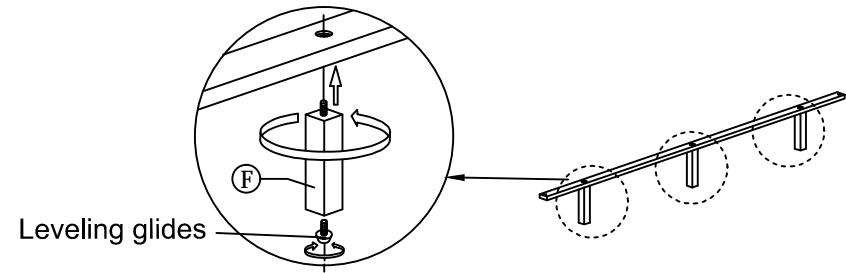
E =  **1 Pc**

F =  **3 Pcs**

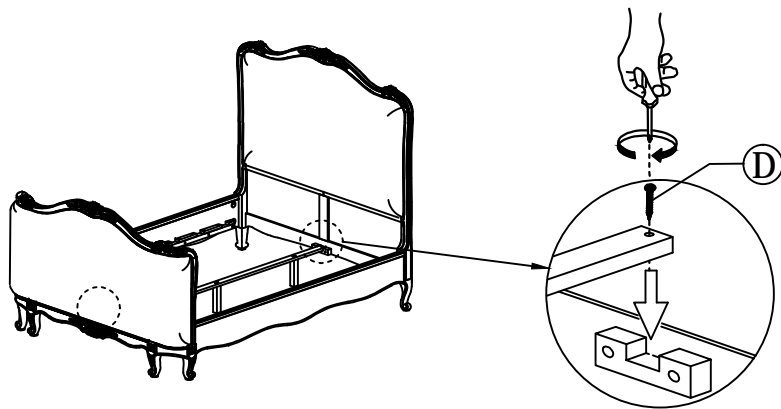
1



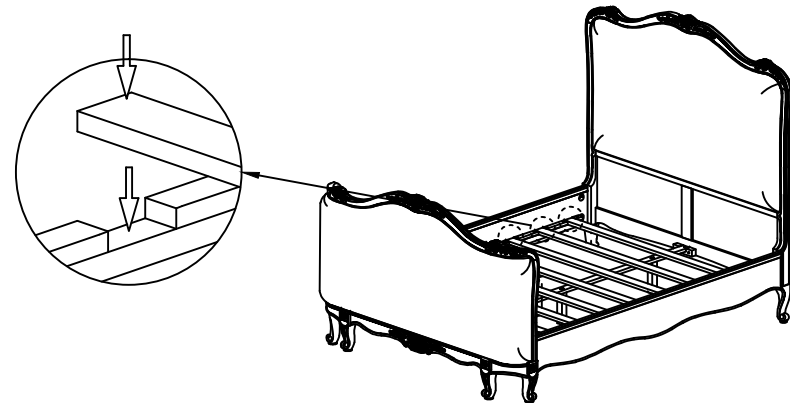
2



3



4



DISCONTINUED**45GENTDR****ASSEMBLING INSTRUCTION GENEVIEVE TALL DRESSER**

▶▶ Please wipe clean any color fluid spillage on the marble top immediately to prevent stain forming.

TOOLS NEEDED

Phillips head screwdriver (not provided)

HARDWARE LIST

A = Plastic brackets



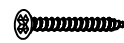
4Pcs

B = Restraint straps



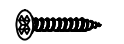
2Pcs

C = Phillips screws M4x30mm



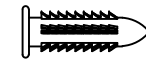
4Pcs

D = Phillips screws M4x20mm



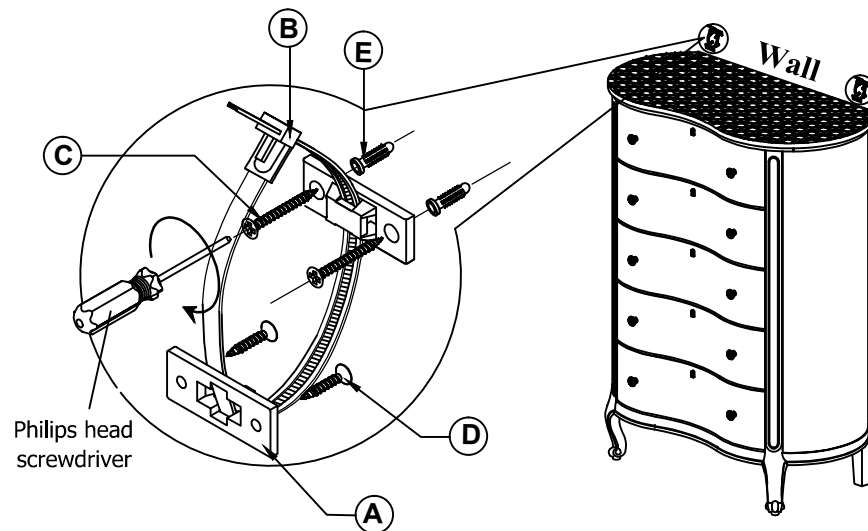
4Pcs

E = Plastic anchors



4Pcs

KNOB: 91GENKNB



1. Attach one of the mounting brackets near the top back edge of the furniture piece by inserting the shorter screws.
2. Determine the final position of the furniture piece. Mark location on the wall pproximately 2" below the bracket mounted to the back of the furniture.
3. Drill a starter hole into the wall stud. If wall stud is not available, drill a hole into the wall and insert plastic anchor. Gently tap the anchor until the flange of the anchor is flush with the wall.
4. Attach the second bracket by inserting the longer screw through the bracket and into the wall.
5. Place the furniture so the bracket on the back edge is in line with the bracket in the wall.
6. Lace one end of the nylon restraint strap down through each bracket. Bring both ends together and slide the beaded end until it snap locks into the keyhole slot.
7. To double lock; return the beaded end back through the keyholes as shown.
8. Check to make sure the strap is securely laced and locked to the brackets.

45GENWDR

ASSEMBLING INSTRUCTION GENEVIEVE WIDE DRESSER

▶▶ Please wipe clean any color fluid spillage on the marble top immediately to prevent stain forming.

TOOLS NEEDED

Phillips head screwdriver (not provided)

HARDWARE LIST

A = Plastic brackets



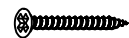
4Pcs

B = Restraint straps



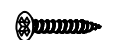
2Pcs

C = Phillips screws M4x30mm



4Pcs

D = Phillips screws M4x20mm



4Pcs

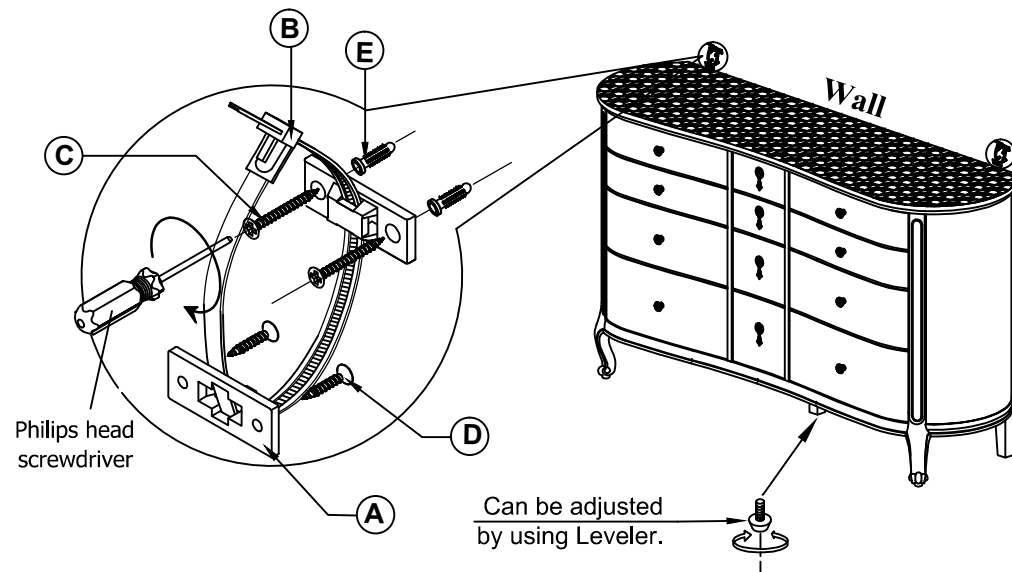
E = Plastic anchors



4Pcs

KNOB: 91GENKNB

PULL: 91GENPUL



1. Attach one of the mounting brackets near the top back edge of the furniture piece by inserting the shorter screws.
2. Determine the final position of the furniture piece. Mark location on the wall pproximately 2" below the bracket mounted to the back of the furniture.
3. Drill a starter hole into the wall stud. If wall stud is not available, drill a hole into the wall and insert plastic anchor. Gently tap the anchor until the flange of the anchor is flush with the wall.
4. Attach the second bracket by inserting the longer screw through the bracket and into the wall.
5. Place the furniture so the bracket on the back edge is in line with the bracket in the wall.
6. Lace one end of the nylon restraint strap down through each bracket. Bring both ends together and slide the beaded end until it snap locks into the keyhole slot.
7. To double lock; return the beaded end back through the keyholes as shown.
8. Check to make sure the strap is securely laced and locked to the brackets.

BEDROOM PARTS SKUS

Super Category	Product ID	Description	Collection	Route
BEDROOM	91GENBED	GENEVIEVE BED ASSEMBLY HDW	PT-GENEV	PART
BEDROOM	91GENKNB	GENEVIEVE KNOB NIGHTSTAND AND DRESSER KNOB	PT-GENEV	PART
BEDROOM	91GENPUL	GENEVIEVE WIDE DRESS DROP PULL	PT-GENEV	PART

DISCONTINUED

ARHAUS®

your home

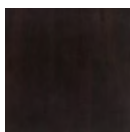
hana



Bed		
Queen	67" w x 92" d x 56" h	45HANAQN
King	82" w x 92" d x 55" h	45HANAKG



Fabric:
Matesse
Tuxedo



Finish:
Wenge

your style your way

Our Design Consultants can help you craft a custom design with hundreds of options to choose from. Ask in store or call **866.427.4287**

simple design, elevated styling

Artfully designed and expertly crafted by furniture artisans, our stunning Hana Collection features classic, clean-lined silhouettes enhanced by expertly tailored upholstery. Durable, reinforced bed frames are constructed using solid, sustainably sourced hardwoods and mortise-and-tenon joinery for superior stability. Solid wood braces attached to the frame's side rails provide reliable mattress support. And, boldly patterned, luxurious upholstery is generously cushioned with dense, eco-friendly foam and poly-fiber padding for a truly relaxing bedroom centerpiece that will elevate your space.

product details

- ▶ Craftsman-built frames are constructed using solid, reinforced hardwood for superior stability.
- ▶ Bed legs are crafted from solid wood and feature a hand-applied wenge finish.
- ▶ Solid hardwood panels rest on solid wood braces attached to the frame's side rails for reliable mattress support.
- ▶ Arhaus upholstery is handcrafted by artisans in North Carolina, using wood certified by the Sustainable Forestry Initiative.
- ▶ Bed frames are expertly upholstered and generously cushioned with dense, eco-friendly foam and poly-fiber padding for added comfort and luxe style.
- ▶ Bed frames are designed to accommodate for variances in mattress sizes and allow bedding to be tucked in.



ARHAUS®

your home

hayworth



Bed

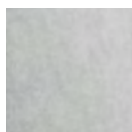
King 83" w x 91" d x 63" h 45HAYWRTHKG
 Queen 67" w x 91" d x 63" h 45HAYWRTHQN
California King available by special order



Headboard

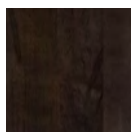
King 83" w x 13" d x 63" h 45HAYWRTHKHB
 Queen 67" w x 13" d x 63" h 45HAYWRTHQHB
California King available by special order

Fabric:



Votive Slate

Finish:



Fossil

your style your way

Craft a custom design that tells your style story.

This collection is available in special-order **Fabrics, Leathers, Finishes, and More**, details below.
 Ask in store or call 866.427.4287

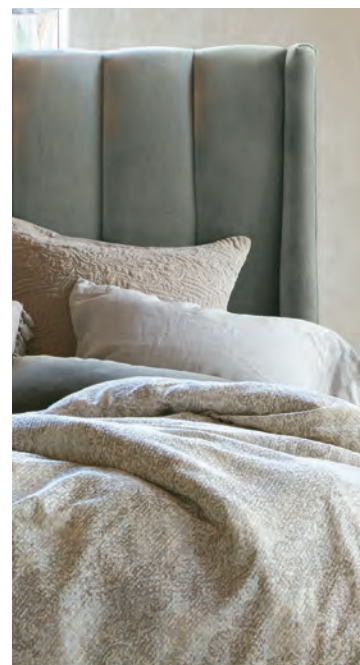
*Special Order pieces upholstered in Norre recycled leathers will show visible seaming.

inspired to be luxe

Our Hayworth collection's glamorous headboard is channel-stitched by hand for a look that sings with luxury. Soft yet striking velveteen fabric wraps around generously plush headboards—padded with eco-friendly foam—to create an almost excessively comfortable focal point for your bedroom. Bed frames are crafted by upholstery artisans in North Carolina, using reinforced laminate hardwood for lasting strength and superior stability.

product details

- ▶ Craftsman-built frames are constructed using solid, reinforced, laminate hardwood for lasting strength and superior stability.
- ▶ Lightly tapered solid, wood, block feet are hand-finished in our Fossil stain.
- ▶ Made in America—this collection was handcrafted by upholstery artisans in North Carolina.
- ▶ Arhaus upholstery is made using wood certified by the Sustainable Forestry Initiative.
- ▶ Solid hardwood panels rest on solid wood braces attached to the frame's side rails for reliable mattress support.
- ▶ Headboards are channel stitched and generously padded for luxurious style and sink-into comfort.
- ▶ Upholstery is padded with dense, eco-friendly foam made partly from sustainable, plant-based material.
- ▶ Bed frames include space to accommodate variances in mattress sizes and allow bedding to be tucked into frame.
- ▶ King beds feature a frame cavity of 77.5" w x 80" d.
- ▶ Queen beds feature a frame cavity of 61.5" w x 79" d.
- ▶ Keep your furniture/décor looking its best. Visit arhaus.com or speak to any Arhaus Design Consultant for care recommendations.



ARHAUS®

your home

henley



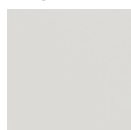
Nightstand
31" w x 21" d x 27" h
45HENLEYNT



Tall Dresser
41.5" w x 23.5" d x 54" h
45HENLEY6DRT



Wide Dresser
69.5" w x 23.5" d x 36" h
45HENLEY6DRW

Finish:

Coconut
Crème

artisan-crafted elegance

Elegantly curved silhouettes complemented by simple, hand-carved detailing creates a stunning feminine aesthetic in our Henley Bedroom Collection. These artisan-built bedroom essentials are sophisticated with minimal accents to allow craftsmanship and soft styling to take center stage. Solid beech drawers, featuring petite metal hardware, are built with durable dovetail joinery, sit on metal, soft-close glides, and feature natural interior finishes to add contrast to hand-painted exteriors.

product details

- ▶ Craftsman-built case frames are made from engineered hardwood with detailing hand-carved from solid, sustainably sourced mahogany.
- ▶ Drawers are made from solid beech wood and beech veneers, reinforced with sturdy dovetail joinery, and supported by metal, under-mounted, soft-close glides.
- ▶ Drawer fronts are accented with petite metal pulls.
- ▶ Finishes are applied by hand and coated with lacquer for added protection and subtle sheen.
- ▶ Drawer interiors are left with a natural finish for added contrast against hand-painted exteriors.
- ▶ Keep your furniture looking its best. Visit arhaus.com or speak to any Arhaus Design Consultant for care recommendations.



BEDROOM PARTS SKUS

Super Category	Product ID	Description	Collection	Route
BEDROOM	91HENLEYGLID	HENLEY GLIDE	PT-HENLEY	PART
BEDROOM	91HENLEYKNOB	HENLEY KNOB KNOB FOR WD, NT, TD	PT-HENLEY	PART

DISCONTINUED

ARHAUS®

your home

hough

**King Bed**

79" w x 85.5" d x 43.5" h
 Rust 45HOURKGKT
 White 45HOUWKGKT

Queen Bed

61.5" w x 85.5" d x 43.5" h
 Rust 45HOURQNKT
 White 45HOUWQNKT

keep your bedroom design in motion

Perfect for the homeowner whose style transitions from time to time, this durable metal frame is simple, strong, and provides the perfect foundation for different design styles. Layer on comfort or keep décor streamlined to reveal the clean iron lines of the frame.

product details

- ▶ Bed frames are constructed from iron, meticulously shaped by artisans.
- ▶ Finishes are powder-coated to prevent rust.
- ▶ An elegantly aged patina is hand-painted over the powder coating and artfully rubbed off.
- ▶ Frames are reinforced with solid iron bars, which are forged to the bed rails.
- ▶ Bed bases provide reliable, lasting support for your mattress set.
- ▶ Bed frames can support our Retreat Adjustable Motion Bases.
- ▶ When paired with Hough Beds, Retreat Motion Bases require leg extensions to fit bed frames. Leg Extensions are sold separately:
 - > King (requires 16 leg extensions; sold in packs of 4) sku: 917070EXTEND
 - > Twin, Full, & Queen (required 8 leg extensions; sold in packs of 4) sku: 917070EXTEND
- ▶ Leg extensions are designed to be used with Retreat Motion Bases only. Ask any of our in-store Design Consultants or call 866.427.4287 for details.
- ▶ Keep your furniture looking its best. Visit arhaus.com or speak to any Arhaus Design Consultant for care recommendations.



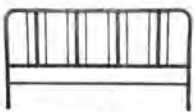
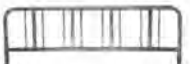



ASSEMBLING INSTRUCTION

TDF1633K (HOUGH KING BED)

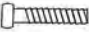
ARHAUS FURNITURE

Carton No.1

Carton No.2


 <p>1 PC</p> <p>Headboard</p>	 <p>1 PC</p> <p>Footboard</p>	 <p>3 PCS</p> <p>Metal slats</p>	 <p>9 PCS</p> <p>Support leg</p>	 <p>2 PCS</p> <p>Side rails</p>
--	--	---	---	--

A 14 PCS




M8x15mm Screw

B 6 PCS




M8 screw cap

C 4 PCS




Feet pad

D 9 PCS

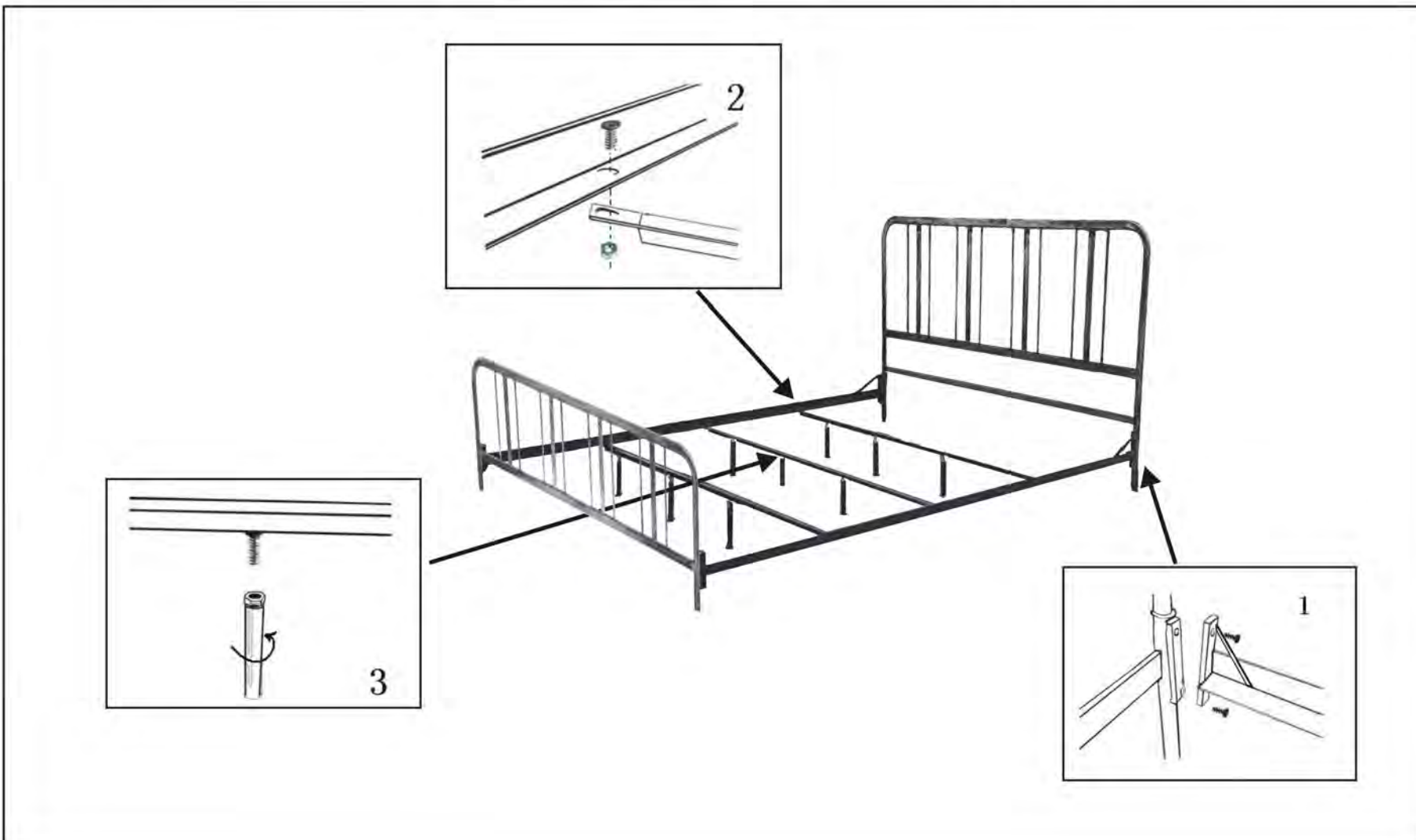


M25 support leg pad

E 1 PC



M6 allen key



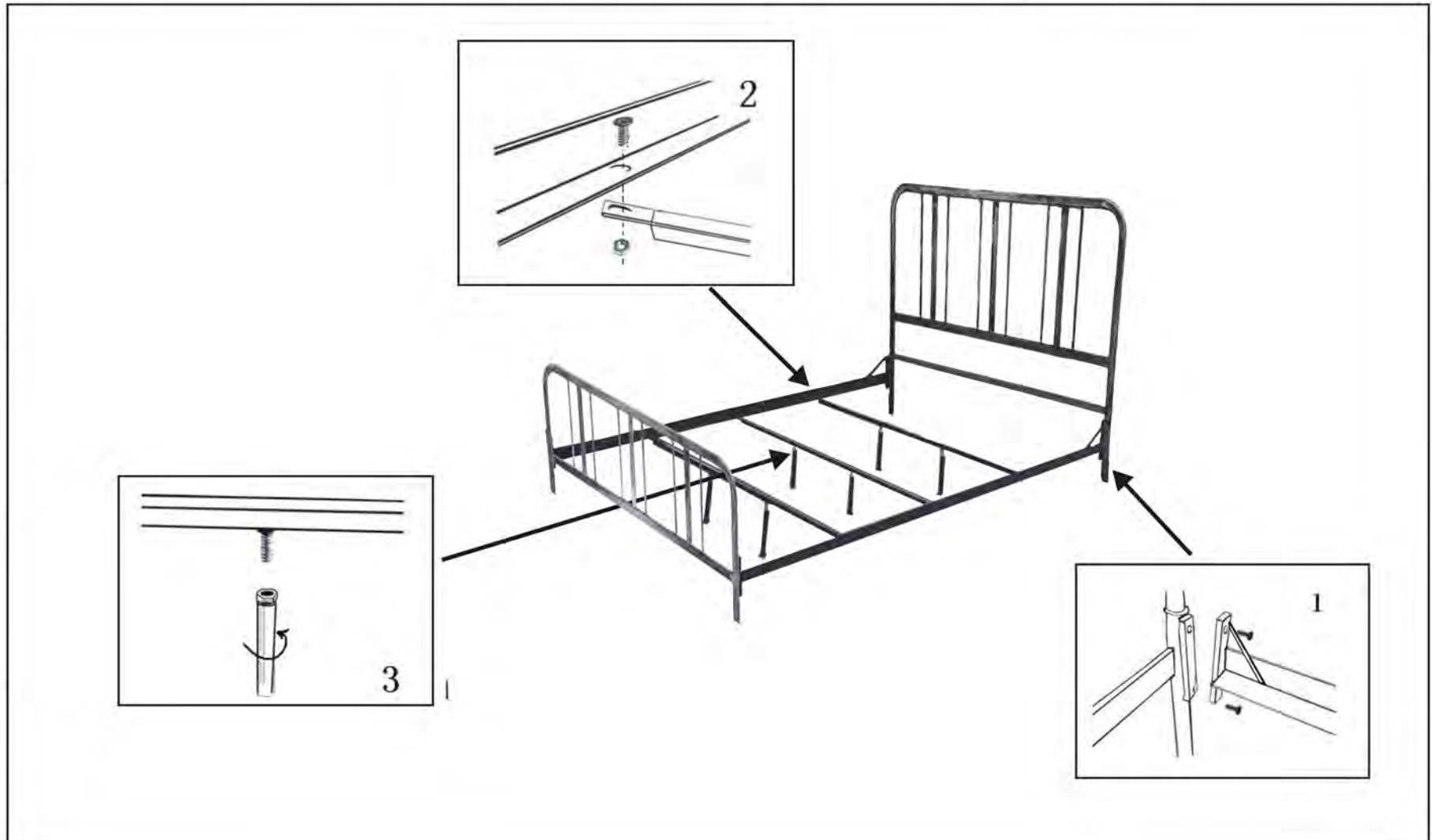
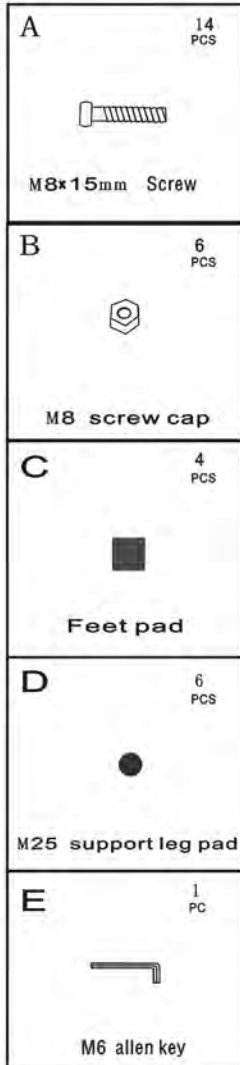
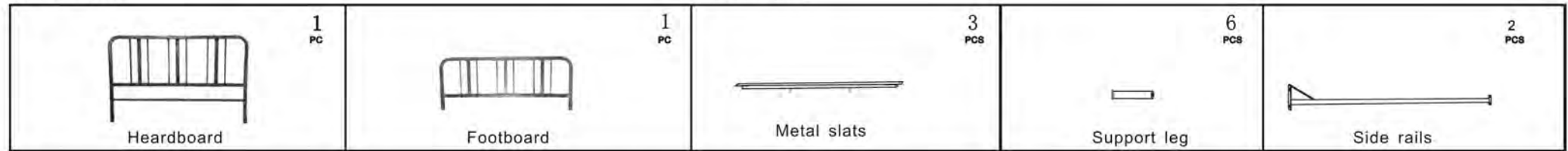
ASSEMBLING INSTRUCTION

TDF1633Q (HOUGH QUEEN BED)

ARHAUS FURNITURE

Carton No.1

Carton No.2



DISCONTINUED**ARHAUS®**

your home



isla
accent collection
made in ASIA

reminiscent of old hollywood,

and influenced by the bold geometry of 1920s Art Deco architecture, the Isla Collection adds a touch of drama to any space. Its glamorous designs are crafted using a combination

of solid tulipwood and engineered hardwood. Distressed hardware and antiqued mirrored surfaces finished with silver leaf add a vintage touch to these otherwise timeless pieces.

natural wood

Each piece will have slightly different shading and grain patterns and, due to the nature of a multi-layered finish that is hand-applied by our craftsmen, there will be variation from piece to piece. Some small splits may occur, but will only add to the piece's character. Knots and joint lines are a natural property and add interest without affecting performance. All natural wood will display movement from season to season because of changes in temperature and humidity.

handcrafted quality

Arhaus furniture is made with great care and attention to detail. Our collections are distinctive, designed to bring pleasure to you in your home for years to come. Each piece is handcrafted, made using traditional skills and techniques, and hand-painted, distressed and finished to ensure each item becomes an heirloom in your home.

renewable resources

Arhaus is unique in our commitment to preserving natural resources. Our Corporate Rainforest Policy states that we will not sell merchandise made of timber from the world's endangered rainforests. In all cases, the wood was harvested from renewable resources.

Caution: Overtightening hardware can cause cracking. Dimensions may vary slightly. Please ensure furnishings fit through interior structures and into desired space before purchase.

DISCONTINUED**ARHAUS®**

your home



Writing Desk 55ISLAWRTDK2
48" w x 24" d x 30" h

File Cabinet 55ISLAFL2
21.75" w x 20.75" d x 27.75" h

Side Table 45ISLANT2
21.5" w x 15.75" d x 29.5" h

32" Side Table 45ISLA32NT2
32" w x 15.75" d x 29.5" h

Isla Table Lamp 65594L0399
16" w x 9" d x 30" h

7-Drawer Accent Chest 45ISLA7DR
66" w x 20" d x 37" h

3-Drawer Accent Chest 45ISLACHST2
42" w x 19" d x 34.5" h

2-Over-4 Accent Chest 45ISLA242
41.75" w x 19" d x 50.5" h

Jewelry Chest 45ISLAJWLBX
18" w x 14" d x 45" h

product details

- ▶ All mirrored surfaces are antiqued with a silver leaf finish.
- ▶ Frames are crafted from solid tulipwood and engineered hardwood with chamfered corners and tapered legs.
- ▶ Drawers have hand-painted interiors and will vary from piece to piece.
- ▶ Drawers are accented with antiqued drawer pulls and have full-extension metal glides.
- ▶ The Writing Desk is finished on all sides and features five drawers.
- ▶ The File Cabinet's file drawer is adjustable to legal and letter size paperwork and includes metal rods for hanging folders.
- ▶ The Table Lamp has an antiqued, mirrored metal base, a linen shade and a 3-way switch.
- ▶ The Table Lamp takes one 100-watt max bulb (not included). We recommend an energy saving LED light bulb. Use CFL bulb for Title 20 compliance. UL Listed.
- ▶ Finishes are durable enough to withstand daily use; but, as with all fine, wood finishes, should be protected from heat and moisture.
- ▶ Handcrafted wood surfaces are easily maintained with soap and water. Non-wax Guardsman® Wood Polish can be used as needed.

recommended care

- ▶ Dust with a soft, dry cloth.
- ▶ Avoid sunlight and heat, which could cause cracking or fading.
- ▶ Do not use care products that contain ammonia or silicone.
- ▶ Use coasters, trivets and felt pads to preserve the finish.
- ▶ Never place hot dishes on surfaces; use felt-backed tablemats.
- ▶ Prolonged use of hot electrical equipment may also cause scorching.

DISCONTINUED

ARHAUS®

your home



Writing Desk



File Cabinet



Side Table



32" Side Table



Table Lamp



7 Drawer Hall Chest



3 Drawer Accent Chest



2 Over 4 Hall Chest



Jewelry Chest

BEDROOM PARTS SKUS

Super Category	Product ID	Description	Collection	Route
BEDROOM	911515ISLA16	ISLA DRAWER GLIDE 16" SET 7 DRAWER CHEST AND 2/4 CHEST	PT-ISLA	PART
BEDROOM	911515ISLAMAGNET	ISLA JEWELRY CHEST MAGNET RT RIGHT SIDE	PT-ISLA	PART
BEDROOM	911515KNOBLG	ISLA KNOB LG 2 DRW, 7 DRW, 2/4 CHEST, NIGHT	PT-ISLA	PART
BEDROOM	911515KNOBSM	ISLA KNOB SM DESK, SD TABLE, 3 DRW, 2/4 CHS	PT-ISLA	PART
BEDROOM	911515ISLA12	ISLA SIDE TABLE DRWR GLIDE 12	PT-ISLA	PART

DISCONTINUED**ARHAUS®**

your home

lago**Bed**

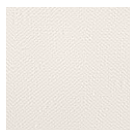
Queen 69" w x 101" d x 58" h 45LAGOQN
 mattress opening: 62.5" w x 82" d x 3" h

King 86" w x 101" d x 58" h 45LAGOKG
 mattress opening: 78" w x 82" d x 3" h

**Low-Footboard***

Queen 71" w x 97" d x 55" h XLGFQUS
 mattress opening: 62.5" w x 81.5" d x 3" h

King 91" w x 97" d x 55" h XLGFKUS
 mattress opening: 78" w x 81.5" d x 3" h

Fabric:Trophy
Blanc**your style your way**

Our Design Consultants can help you craft a custom design with hundreds of options to choose from. Ask in store or call **866.427.4287**

special order only*simple, chic comfort**

Our Lago bed is designed to balance its simple, chic style with casual relaxation and everyday use. This contemporary bed frame's fully upholstered surfaces feature a tall headboard and rails with clean, soft edges, which create a sense of warmth. The bed's generous footboard anchors its design and also functions as a sturdy, built-in bench—ideal for dressing and putting on shoes. Designed to be ideally paired with our Retreat 4" Platform and our Retreat Plush or Firm Mattresses, the footboard remains flush with the top of the mattress, creating a continuous, comfortable surface.

product details

- ▶ Generous upholstery is expertly fitted in family friendly, stain-resistant Trophy Blanc performance fabric.
- ▶ Craftsman-built frames are constructed using kiln-dried hardwood for strength and stability.
- ▶ Arhaus upholstery is handcrafted by artisans in North Carolina.
- ▶ Wood used is certified by the Sustainable Forestry Initiative.
- ▶ Frames are doubly reinforced to guarantee years of structural reliability.
- ▶ Sleek and comfortable upholstery is padded with eco-friendly foam, feathers, and down.



DISCONTINUED

ARHAUS®

your home

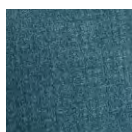
langley

**Queen Bed**

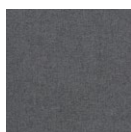
68.5" w x 86.5" d x 46.5" h
 Flannigan Azure 45LANGTQKT
 Sunday Grey 45LANGCQKT
 Sunday Stone 45LANGLQKT

King Bed

84.5" w x 86.5" d x 46.5" h
 Flannigan Azure 45LANGTKKT
 Sunday Grey 45LANGCKKT
 Sunday Stone 45LANGLKKT

Fabrics:

Flannigan Azure



Sunday Grey



Sunday Stone

Finishes:

Chestnut



Shadow

your style your way

Our Design Consultants can help you craft a custom design with hundreds of options to choose from. Ask in store or call **866.427.4287**

modern style foundations

Featuring a low, modern silhouette, our Langley Platform Bed was carefully crafted to anchor your bedroom and provide a stylish foundation for boudoir décor. Generously upholstered surfaces, accented by flanged welts, are expertly fitted with neutral, designer-inspired fabrics that were thoughtfully selected to complement any color pallet or design aesthetic. Cushioning is padded with dense, eco-friendly foam and poly-fiber padding for relaxing "sink-into" comfort. And, bed frames are craftsman-built from solid larch wood to ensure superior strength and stability, while catalpa wood legs are hand-finished with a warm tone.

product details

- ▶ Craftsman-built bed frames are constructed using solid larch and engineered hardwood.
- ▶ Bed legs are crafted from solid catalpa wood and hand-finished.
- ▶ Beds upholstered in Flannigan Azure fabric feature our Chestnut finish; while beds upholstered in Sunday Grey or Sunday Stone fabric feature our Shadow finish.
- ▶ Bed frames are padded with dense eco-friendly foam—made partly from plant-based material—which is then wrapped in poly-fiber padding for additional, "sink-into" comfort.
- ▶ Bed frames accommodate for variances in mattress sizes and allow bedding to be tucked in.
- ▶ Langley beds do not require box springs.

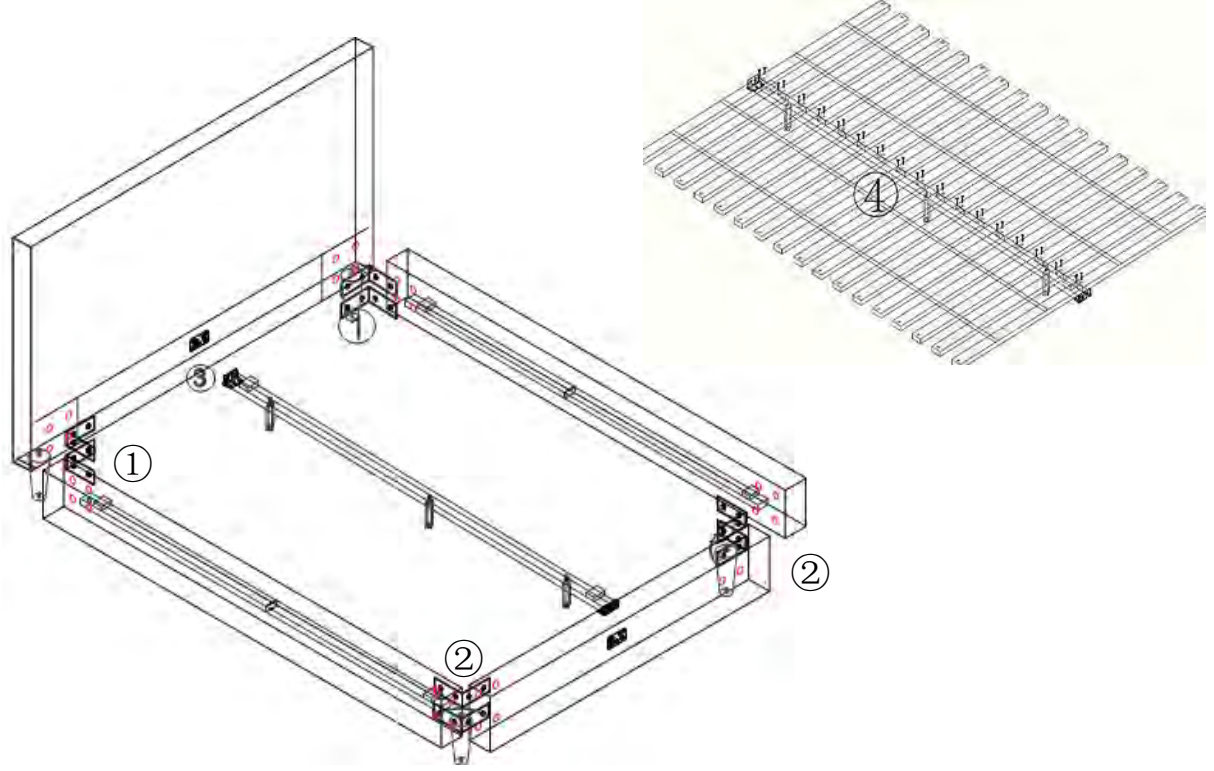


DISCONTINUED



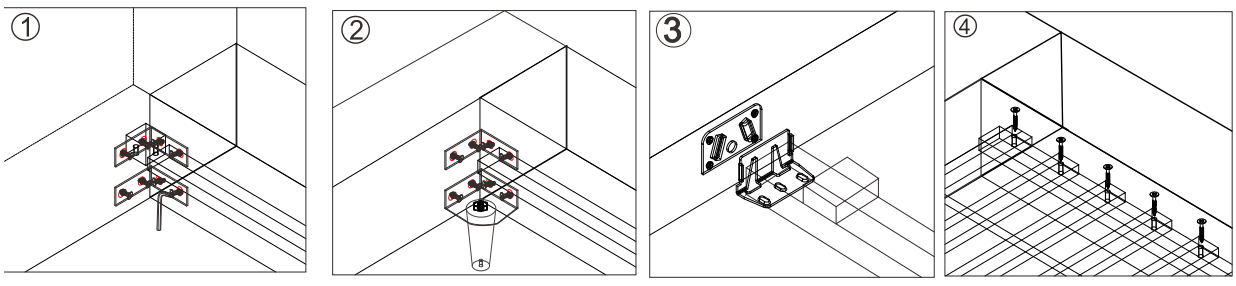
LANGLEY Queen/King Bed

Assembly Instruction



No.	Quantity	Accessory	
A	6		
B	32		30x8mm
C	64		4x30mm
D	4		
E	3		
F	1		
G	2		
H	2		

Steps	Please refer following procedures
①	Install legs D on headboard; Screw off B first and use B to install A to connect headboard and siderails.
②	Screw off B first and use B and A and G to connect footboard and siderails, then install legs D on G and use H to fasten.
③	Install the middle wood rail on headboard and footboard, then install legs E on the middle wood rail.
④	Put rolling slat on the bed and use screw C to fasten.



ARHAUS®

your home

lenox

**King Bed**

80.5" w x 94.5" d x 58" h
 Brilliant Black 45LENKGKT2
 Dove 45LENDKGKT

Queen Bed

64.5" w x 94.5" d x 58" h
 Brilliant Black 45LENQNKT2
 Dove 45LENDQNKT

Finishes:

Brilliant Black



Dove

let your vintage side shine.

Inspired by a beautiful antique that captured our eye during a trip to Lille, France, Lenox is brought to life with incredible attention to detail. A tribute to the 1920s, each piece gives glory to its heritage while adding modern-day delights. Case pieces feature soft-closing, under-mounted drawer glides with antique brass-finished cap details. Beds are upholstered in soft, neutral fabric for a practical yet comfortable vibe. And, brilliant, rich finishes are true works of art.

product details

- ▶ Bed frames are craftsman-built from solid poplar with rails and inside curves handcrafted from engineered hardwood.
- ▶ Case pieces are handcrafted of solid poplar and engineered hardwood. Antique brass-finished caps accentuate each piece.
- ▶ Each piece in our Lenox collection undergoes a nine-step hand-painting process to achieve its high-sheen finish.
- ▶ Between each step, surfaces are sanded and polished to ensure a clean, smooth appearance before the next layer is added.
- ▶ A full-sheen topcoat is applied to protect the final finish.
- ▶ Drawers feature under-mounted glides to ensure a soft close.
- ▶ Wide Dressers feature felt linings and functional locks on the top two drawers.
- ▶ Keep your furniture looking its best. Visit arhaus.com or speak to any Arhaus Design Consultant for care recommendations.



ARHAUS®

your home



Tall Dresser
 43" w x 21" d x 52.75" h
 Brilliant Black 45LENTC
 Dove 45LENTC



8-Drawer Wide Dresser
 67" w x 21" d x 45.5" h
 Brilliant Black 45LENWD
 Dove 45LENDWD



Mirror
 40" w x 1.3" d x 47" h
 Brilliant Black 45LENMR
 Dove 45LENDMR



Nightstand
 29.25" w x 18" d x 30.25" h
 Brilliant Black 45LENNT
 Dove 45LENDNT

45LENMR/ 45LENDMR**Assembling Instruction Lenox Mirror/ Lenox Dove Mirror**

►► Wood products have a lacquer coat and a wax finish applied to the surface.
Consultant with your design consultant for cleaning instructions.

TOOLS NEEDED: Phillips head screwdriver (not provided)

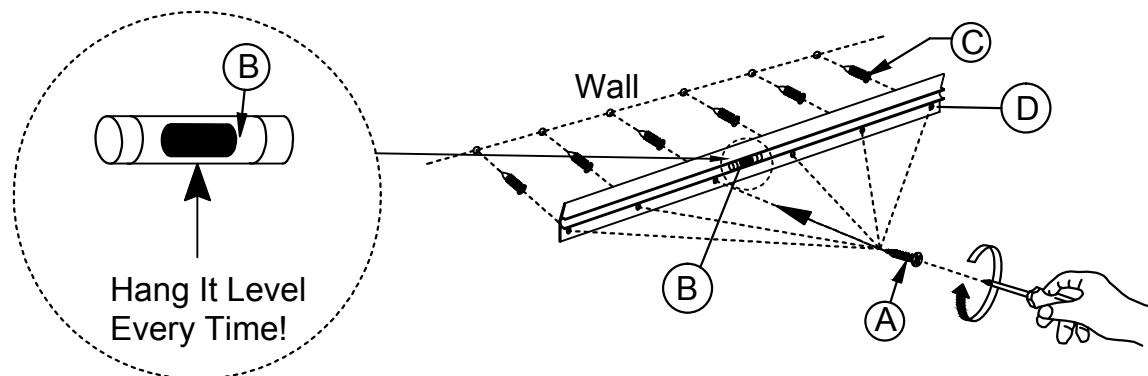
HARDWARE LIST

A =  **6 Pcs**

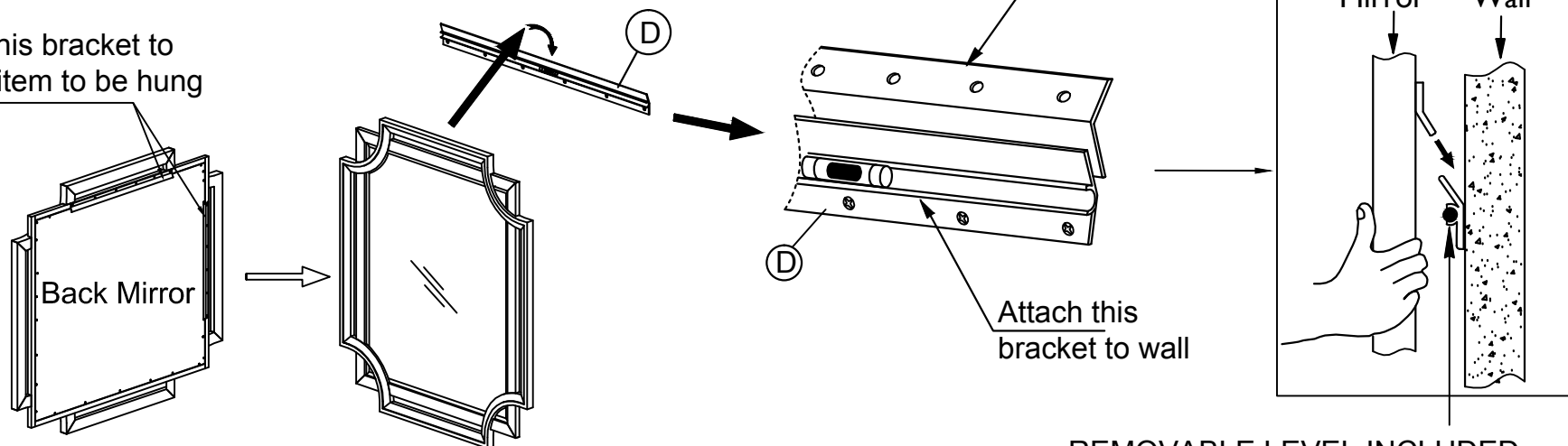
B =  **1 Pc**

C =  **6 Pcs**

D (550mm) BRACKET = 1Pc

1**2**

Attach this bracket to back of item to be hung



REMOVABLE LEVEL INCLUDED

45LENNT/ 45LENDNT Assembling Instruction Lenox Nightstand/ Lenox Dove Nightstand

- Wood products have a lacquer coat and a wax finish applied to the surface.
Consultant with your design consultant for cleaning instructions.

TOOLS NEEDED

Phillips head screwdriver (not provided)

HARDWARE LIST

A = Plastic brackets



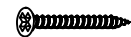
4Pcs

B = Restraint straps



2Pcs

C = Phillips screws M4x30mm



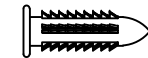
4Pcs

D = Phillips screws M4x20mm

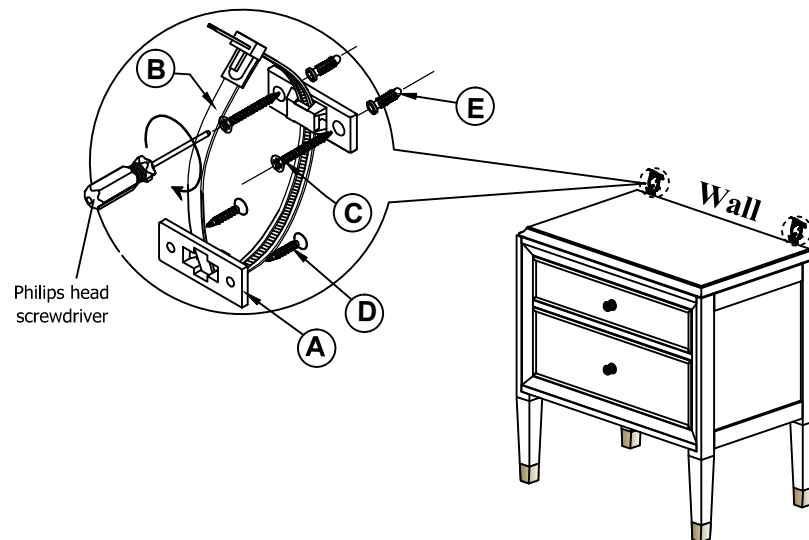


4Pcs

E = Plastic anchors



4Pcs



1. Attach one of the mounting brackets near the top back edge of the furniture piece by inserting the shorter screws.
2. Determine the final position of the furniture piece. Mark location on the wall pproximately 2" below the bracket mounted to the back of the furniture.
3. Drill a starter hole into the wall stud. If wall stud is not available, drill a hole into the wall and insert plastic anchor. Gently tap the anchor until the flange of the anchor is flush with the wall.
4. Attach the second bracket by inserting the longer screw through the bracket and into the wall.
5. Place the furniture so the bracket on the back edge is in line with the bracket on the wall.
6. Lace one end of the nylon restraint strap down through each bracket. Bring both ends together and slide the beaded end until it snap locks into the keyhole slot.
7. To double lock, return the beaded end back through the keyholes as shown.
8. Check to make sure the strap is securely laced and locked to the brackets.

45LENTC/ 45LENDTC**Assembling Instruction Lenox Tall Chest/ Lenox Dove Tall Chest**

- Wood products have a lacquer coat and a wax finish applied to the surface.
Consultant with your design consultant for cleaning instructions.

TOOLS NEEDED

Phillips head screwdriver (not provided)

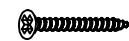
HARDWARE LIST

A = Plastic brackets



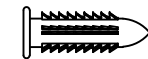
4Pcs

C = Phillips screws M4x30mm



4Pcs

E = Plastic anchors



4Pcs

B = Restraint straps

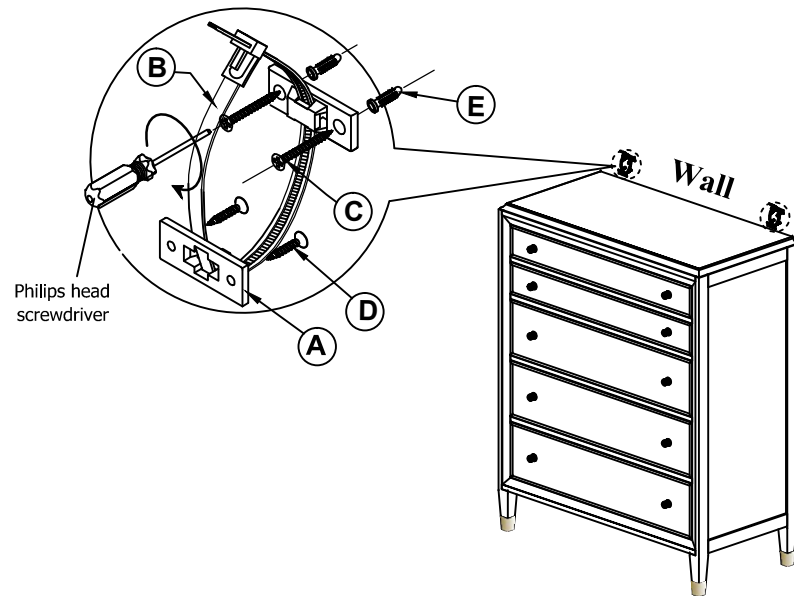


2Pcs

D = Phillips screws M4x20mm



4Pcs



1. Attach one of the mounting brackets near the top back edge of the furniture piece by inserting the shorter screws.
2. Determine the final position of the furniture piece. Mark location on the wall pproximately 2" below the bracket mounted to the back of the furniture.
3. Drill a starter hole into the wall stud. If wall stud is not available, drill a hole into the wall and insert plastic anchor. Gently tap the anchor until the flange of the anchor is flush with the wall.
4. Attach the second bracket by inserting the longer screw through the bracket and into the wall.
5. Place the furniture so the bracket on the back edge is in line with the bracket on the wall.
6. Lace one end of the nylon restraint strap down through each bracket. Bring both ends together and slide the beaded end until it snap locks into the keyhole slot.
7. To double lock, return the beaded end back through the keyholes as shown.
8. Check to make sure the strap is securely laced and locked to the brackets.

45LENWD
45LENDWD

Assembling Instruction

Lenox Wide Dresser/ Lenox Dove 8 Drawer Wide Dresser

- Wood products have a lacquer coat and a wax finish applied to the surface.
Consultant with your design consultant for cleaning instructions.

TOOLS NEEDED

Phillips head screwdriver (not provided)

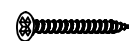
HARDWARE LIST

A = Plastic brackets



4Pcs

C = Phillips screws M4x30mm



4Pcs

E = Plastic anchors



4Pcs

B = Restraint straps

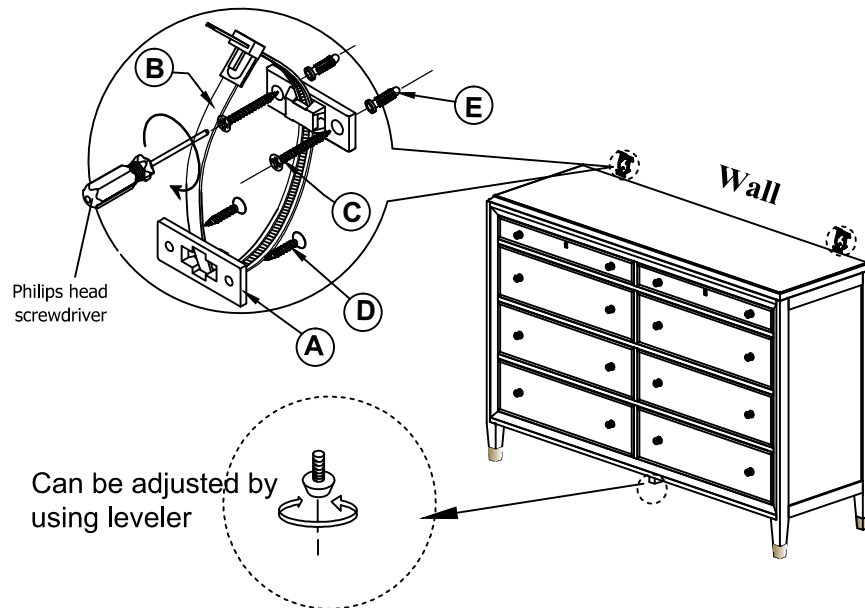


2Pcs

D = Phillips screws M4x20mm



4Pcs



1. Attach one of the mounting brackets near the top back edge of the furniture piece by inserting the shorter screws.
2. Determine the final position of the furniture piece. Mark location on the wall pproximately 2" below the bracket mounted to the back of the furniture.
3. Drill a starter hole into the wall stud. If wall stud is not available, drill a hole into the wall and insert plastic anchor. Gently tap the anchor until the flange of the anchor is flush with the wall.
4. Attach the second bracket by inserting the longer screw through the bracket and into the wall.
5. Place the furniture so the bracket on the back edge is in line with the bracket on the wall.
6. Lace one end of the nylon restraint strap down through each bracket. Bring both ends together and slide the beaded end until it snap locks into the keyhole slot.
7. To double lock, return the beaded end back through the keyholes as shown.
8. Check to make sure the strap is securely laced and locked to the brackets.

BEDROOM PARTS SKUS

Super Category	Product ID	Description	Collection	Route
BEDROOM	91LENANTITIP	LENOX ANTI TIP KIT 1 SET/BAG	PT-LENOX	PART
BEDROOM	91LENOXASMHW	LENOX ASSEMBLY HW FOR KG QN 1 SET = 1 POLY BAG	PT-LENOX	
BEDROOM	91LENAHK	LENOX BED ASSEMBLY HARDWARE KIT FOR QUEEN AND KING BED	PT-LENOX	PART
BEDROOM	91LENFAB	LENOX FABRIC FOR CLEANING	PT-LENOX	PART
BEDROOM	91LENKNOB	LENOX KNOB WIDE DRESSER, CHEST, NIGHTSTAN	PT-LENOX	PART
BEDROOM	91LENOXKNOB	LENOX KNOB FOR NT, WD, TD 1 PC & SCREWS = 1 POLY BAG	PT-LENOX	
BEDROOM	91LENMCL	LENOX METAL CAP FOR LEG	PT-LENOX	PART
BEDROOM	91LENMRHW	LENOX MIRROR HANGING HW 1 SET/BAG	PT-LENOX	PART
BEDROOM	91LENUG12	LENOX UNDERMOUNT GLIDE 12' GLIDE FOR LENOX NIGHTSTAND	PT-LENOX	PART
BEDROOM	91LENUG14	LENOX UNDERMOUNT GLIDE 14 GLIDE FR LENOX TALL CHST & WD	PT-LENOX	PART
BEDROOM	91LENKEY	LENOX WIDE DRESSER KEY	PT-LENOX	PART

ARHAUS®

your home

lincoln

**King Bed**

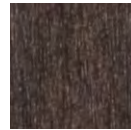
82.5" w x 88.5" d x 51.5" h
 Tuesday Fog/Shadow 45LINCKGKT
 Harris Oatmeal/Weathered 45LINCKGWKT
 Flanigan Slate/Chestnut 45LINCKGBKT

Queen Bed

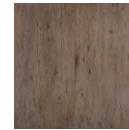
67" w x 88.5" d x 51.5" h
 Tuesday Fog/Shadow 45LINCQNKKT
 Harris Oatmeal/Weathered 45LINCQNWKT
 Flanigan Slate/Chestnut 45LINCQNBKT

Fabrics:

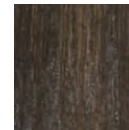
Tuesday Fog

Harris
OatmealFlanigan
Slate**Finishes:**

Shadow



Weathered



Chestnut

a modern style mix

A modern, shelter bed perfect for either master or guest bedrooms, our versatile Lincoln Bed Collection is carefully crafted with a low profile and a complementary mix of upholstered and exposed wood surfaces that is guaranteed to frame your space in style. Craftsman-built interior frames are constructed using solid larch and engineered hardwoods for superior strength and stability; while exposed wood surfaces are made from solid catalpa wood and are hand-finished with a wire-brush for a gently distressed appearance. Upholstered surfaces are expertly fitted and generously cushioned with foam and poly-fiber padding for added comfort.

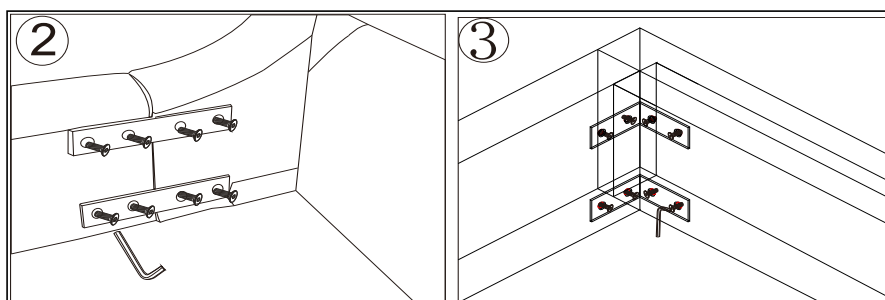
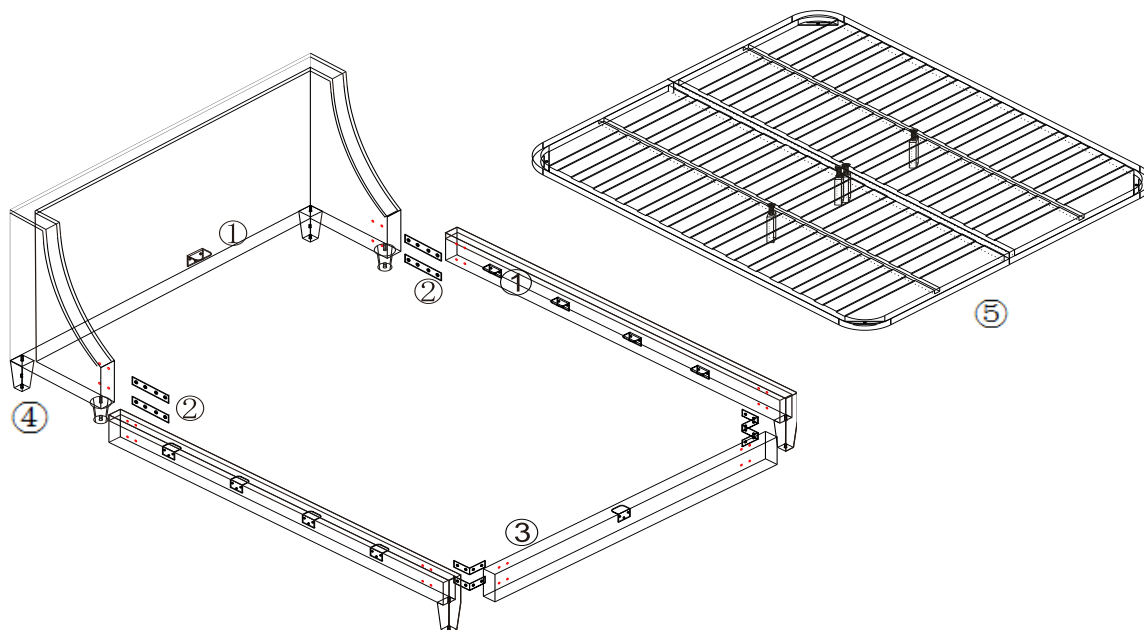
product details

- ▶ Craftsman-built bed frames feature exposed hardwood supported by interior frames constructed using larch and engineered hardwood.
- ▶ Exposed wood surfaces are painted by hand and wire-brushed for a gently distressed appearance.
- ▶ Wood finishes are lacquered for added protection and a subtle sheen.
- ▶ Bed frames are expertly upholstered and generously cushioned with foam and poly-fiber padding for added comfort.
- ▶ Bed frames are designed to accommodate for variances in mattress sizes and allow bedding to be tucked in.
- ▶ Lincoln beds do not require box springs.



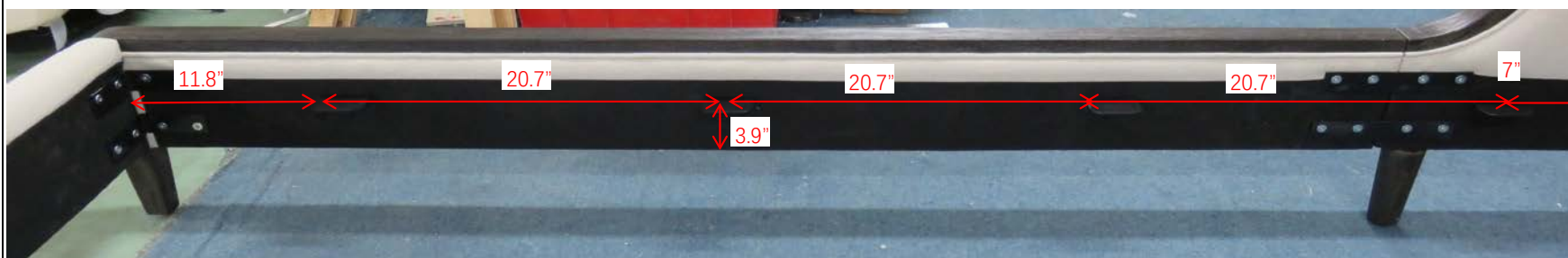
LINCOLN King Bed

Assembly Instruction



No.	Quantity	Accessory
A	4	
B	4	
C	10	
D	30	5 x 40mm
E	32	8x30mm
F	1	
G	10	30mm
H	4	25cm
J	2	
K	2	

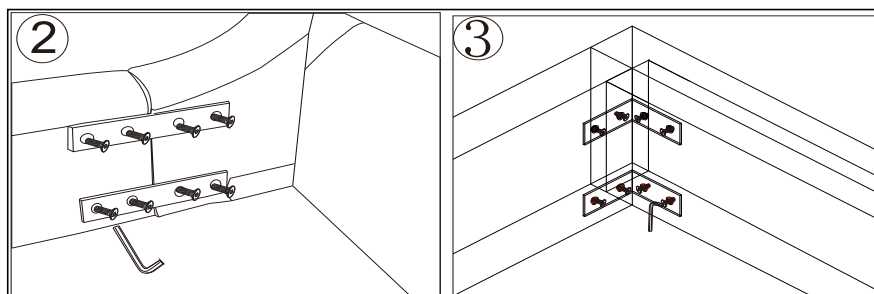
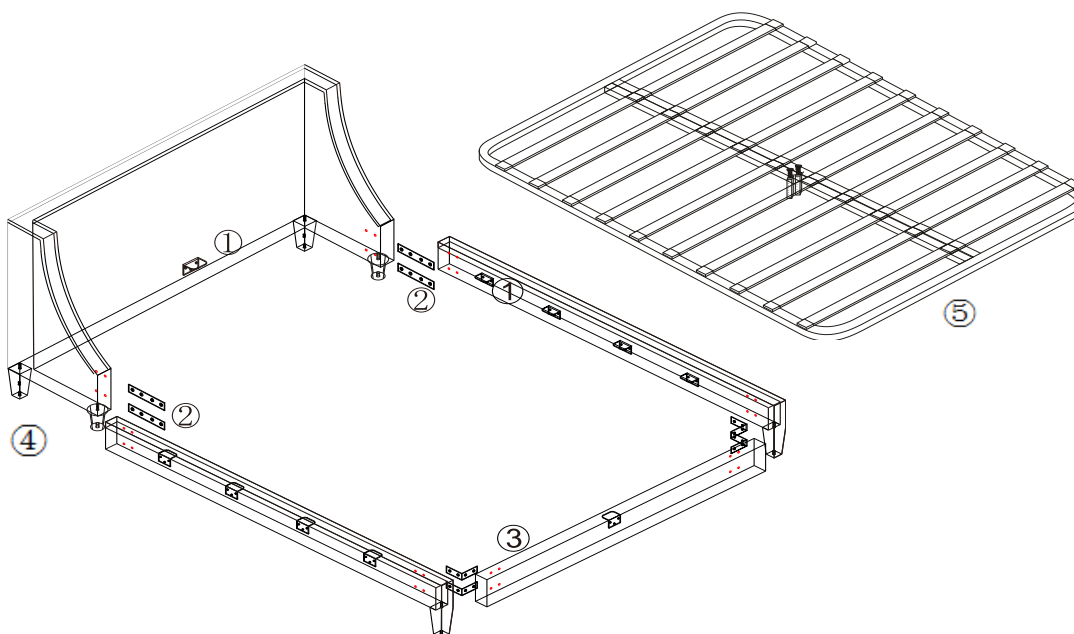
Steps	Please refer following procedures
①	Use screw D to install C on headboard, siderails, footboard, then place G on C.
②	Screw off E first and use A and E to connect headboard and siderails.
③	Screw off E first and use B and E connect siderails and footboard.
④	Install J and K legs on headboard
⑤	Install H legs on slat and put the slat on the bed



ARHAUS
your home

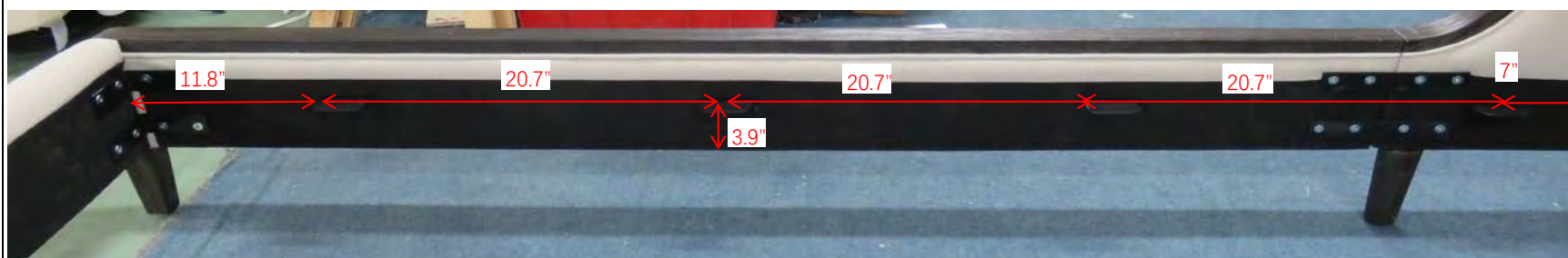
LINCOLN Queen Bed

Assembling Instruction



No.	Quantity	Accessory
A	4	
B	4	
C	10	
D	30	5 x 40mm
E	32	8x30mm
F	1	
G	10	30mm
H	2	25cm
J	2	
K	2	

Steps	Please refer following procedures
①	Use screw D to install C on headboard, siderails, footboard, then place G on C.
②	Screw off E first and use A and E to connect headboard and siderails.
③	Screw off E first and use B and E connect siderails and footboard.
④	Install J and K legs on headboard.
⑤	Install H legs on slat and put the slat on the bed.



BEDROOM PARTS SKUS

Super Category	Product ID	Description	Collection	Route
BEDROOM	91LINCKGHW	LINCOLN BED ASSEMBLY HW KING	PT-LINCOLN	PART
BEDROOM	91LINCQNHW	LINCOLN BED ASSEMBLY HW QUEEN	PT-LINCOLN	PART
BEDROOM	91LINCKGWDLG	LINCOLN KG FLANIGN SLAT WD LGS 4 WOOD LEGS	PT-LINCOLN	
BEDROOM	91LINCQNWDLG	LINCOLN QN FLANIGN SLAT WD LGS 4 WOOD LEGS	PT-LINCOLN	
BEDROOM	91LINCTFKWDLG	LINCOLN TUES FOG KG WOOD LEGS 4 WOOD LEGS	PT-LINCOLN	
BEDROOM	91LINCTFQWDLG	LINCOLN TUES FOG QN WOOD LEGS 4 WOOD LEGS	PT-LINCOLN	

ARHAUS®

your home

loren



King Bed
82.75" w x 85.5" d x 48" h
45LORENKG

California King Bed
78.75" w x 85.5" d x 48" h
45LORENCK

Queen Bed
66.75" w x 85.5" d x 48" h
45LORENQN

inspired by mid-century parisian artistry

Our Loren collection is a perfect representation of post-war European design—featuring artisan-crafted finishes, stately marble, luxe brass, and angled legs. Mid-century Parisian designers, influenced by a need for freedom and practicality, introduced clean, unadorned silhouettes to furnish homes of the time. Following this principle, our stunning boudoir collection emphasizes superior craftsmanship with pieces built from parawood surfaced with elegant ash veneers. Hand-applied, whitewash finishes are sealed and coated with clear lacquer for added protection and a subtle sheen—evoking a clean and contemporary feel.

product details

- ▶ Our Loren collection is crafted by Vietnamese artisans from parawood surfaced with elegant ash veneers.
- ▶ Loren case pieces are topped with stunning grigio bluette marble.
- ▶ Whitewash finishes are applied by hand, sealed, and coated with clear lacquer for added protection and a subtle sheen that evokes a clean and contemporary aesthetic.
- ▶ Mid-century European designs are accented by antique brass hardware and angled legs.
- ▶ Drawers built with French dovetail joinery at the front and English dovetails at the back are mounted on full-extension, soft-close glides.
- ▶ All dressers are fitted with a 'secret' top drawer compartment, lined with a soft felt pad for the storage of jewelry and other treasured valuables.
- ▶ Queen bed frame cavity measures 61" w x 80.5" d
- ▶ King bed frame cavity measures 77" w x 80.5" d
- ▶ California King bed frame cavity measures 73" w x 84.5" d
- ▶ Keep your furniture looking its best. Visit arhaus.com or speak to any Arhaus Design Consultant for care recommendations.



ARHAUS®

your home



Tall Dresser
40" w x 20" d x 51" h
45LORENTD



Wide Dresser
64" w x 20" d x 35.5" h
45LORENWD



Nightstand
30" w x 20" d x 25" h
45LORENNT



Open Nightstand
26" w x 20" d x 25" h
45LORENONT

ARHAUS

your home

LOREN KING/ CAL KING BED

Thank you for choosing this quality product. Be sure to check all packaging materials carefully for small parts that may have become loose during shipment and place all parts on a non-abrasive surface.

⚠ WARNING: These bed parts can be cumbersome and heavy to some people, therefore the assistance of two or more people is recommended in order to prevent personal injury and ensure the bed are not damaged during the assembly process.

PARTS INCLUDED

- A. [1] HEADBOARD
- B. [1] FOOTBOARD
- C. [1 SET] SIDE RAILS
- D. [1] SUPPORT SLAT
- E. [1] LEG
- F. [9] BED SLATS

HARDWARE PARTS

- 1. [8] THREADED ROD 
- 2. [8] HEX NUTS 
- 3. [8] LOCK WASHER 
- 4. [8] PLAIN WASHER 
- 5. [1] WRENCH 
- 6. [22] SCREW 

FIGURE 01

ASSEMBLY INSTRUCTION

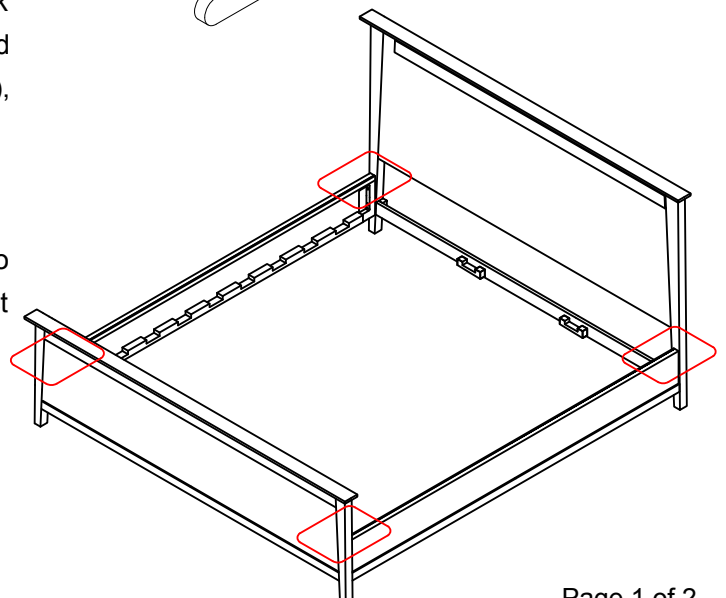
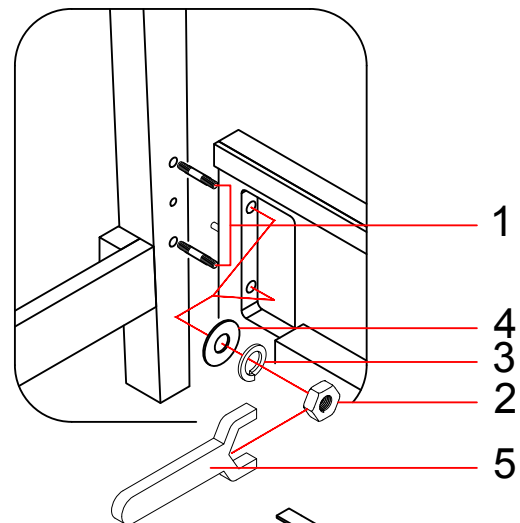
STEP 1:

Place the Headboard (A) upright in the position you wish the bed to be in when fully assembled. The headboard bed fast hardware should be facing inside, toward the mattress. Secure the Threaded Rod (1) to the fixed nut in the Headboard (A) by simply turning it manually. Raise the Side Rail (C) up and set the Rod (1) to align with the bore holes on the end of the Side Rails (C). Put the Side Rails (C) up against the Headboard (A) so the Threaded Rod (1) go through the bore hole. Insert Plain Washer (4) and Lock Washer (3), then engage Hexagonal Nuts (2) on Threaded Rod (1) and tighten all Hex Nuts (2) with Open Wrench (5), as illustrated in **FIGURE 01**.

STEP 2:

Repeat the above procedure with the other Side Rail (C) to attach it to the Headboard (A), and then repeat to connect Side Rails (C) to the foot board (B).

NOTE: Tighten all the nuts to snug fit.



ARHAUS®

your home

LOREN KING/ CAL KING BED

STEP 3:

Set the Support Slats (D) on the wooden brackets of both Headboard (A) and Foot Board (B) but before that, install the Leg (E) on the center cavity of Support Slat (D) as shown in **FIGURE 02 (FIGURE 02-A - FIGURE 02-B)**.

FIGURE 02 - A

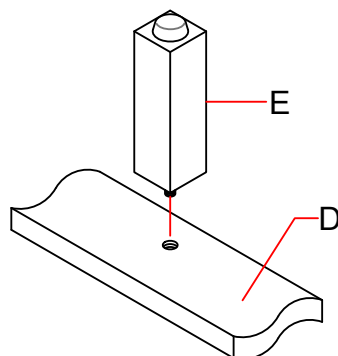


FIGURE 02 - B

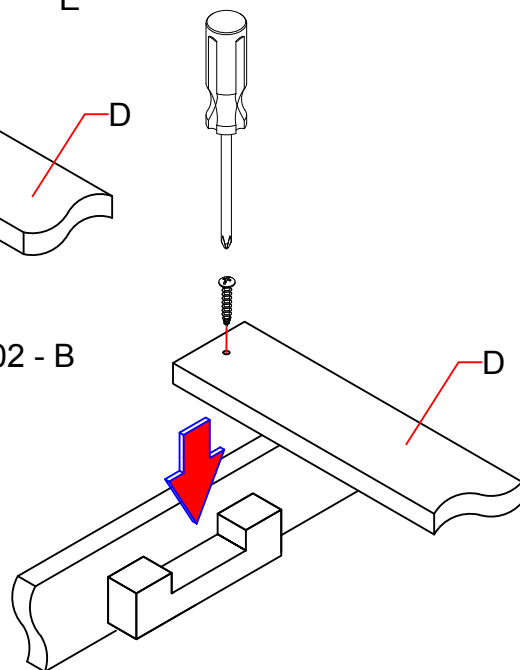
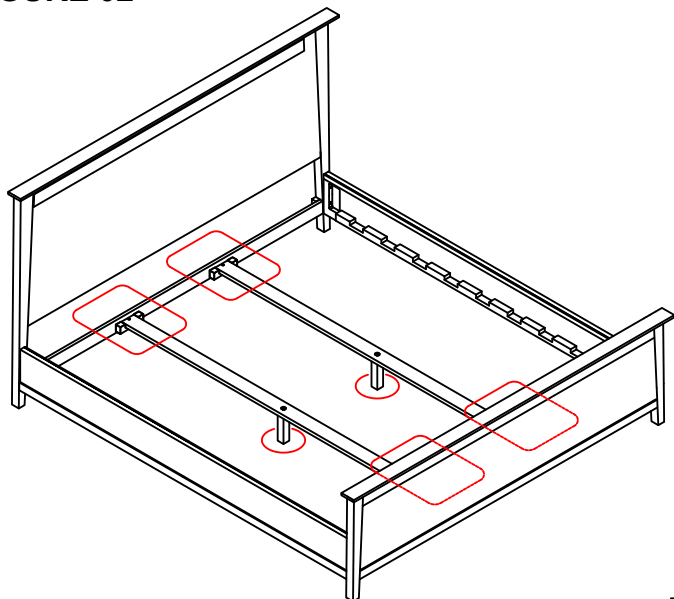


FIGURE 02



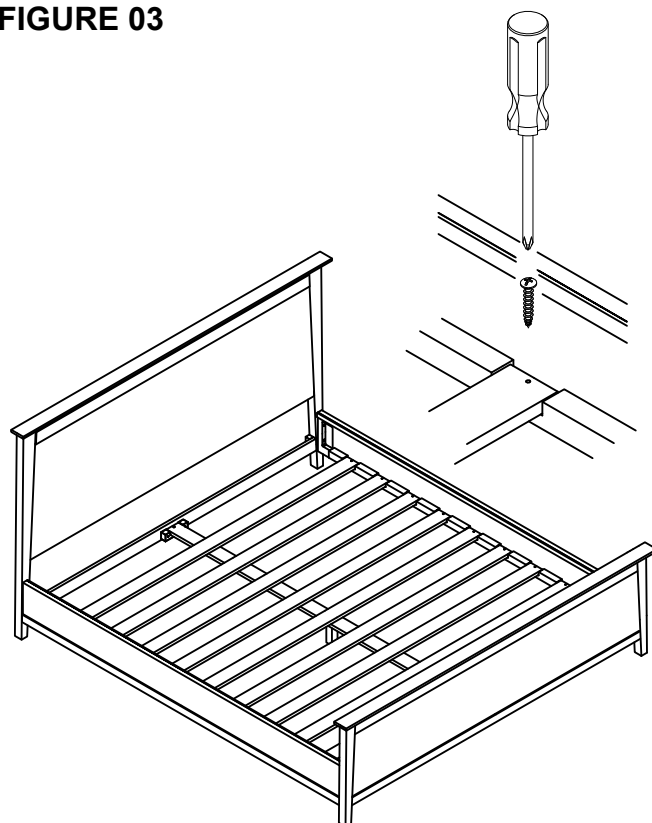
STEP 4:

On inside face of both Side Rails (C) there is a cleat pre-installed and cavities designed to hold the individual Bed Slats (F). Gently set the Bed Slats (F) on both cavities of the Side Rails (C) and secure this with screws provided as shown in **FIGURE 03**.

CARE INSTRUCTIONS

- Hardware may loosen over time, periodically check that all connections are tight or tighten them if necessary.
- Wipe with a soft, dry cloth, to protect the finish and avoid the use of all chemicals or any household cleaners.

FIGURE 03



ARHAUS®

your home

LOREN NIGHTSTAND

Thank you for choosing this quality product. Be sure to check all packaging materials carefully for small parts that may have become loose during shipment and place all parts on a non-abrasive surface.

⚠️ WARNING: These case parts can be cumbersome and heavy to some people, therefore the assistance of two or more people is recommended in order to prevent personal injury and ensure the case are not damaged during the assembly process.

HARDWARE LIST

- [4] BRACKET
- [2] RESTRAINT STRAP
- [4 SHORTER] PHILIPS SCREWS
- [4 LONGER] PHILIPS SCREWS
- [4] PLASTIC ANCHOR

INSTALLATION INSTRUCTIONS

1. From the desired location, pre-set the unit 16" to 20" from the wall, examine the alignment of the doors and drawers, if leveling is necessary. If needed, slightly tilt the base and turn the head of the levelers clockwise to raise the furniture and counter clockwise to lower it. Adjust all levelers until the correct level or flatness is achieved. Repeat adjustment procedures if necessary, after the furniture settles on rugs or on carpeted surface. Please see **FIGURE 01**

ANTI TIP KIT INSTALLATION

2. Attach two of the mounting brackets near the top back edge of the furniture piece using the shorter screw.
3. Determine the final position of the furniture piece and mark locations on the wall approximately 2" below the brackets mounted to the back of the furniture piece.
4. Drill a shorter hole into the dry wall stud. If wall stud is not available, drill a hole into the solid wall and insert plastic anchor. Gently tap the anchor until the flange is flush with the wall.
5. Attach the second set of brackets using the longer screw through the bracket hole and into the wall.
6. Place the furniture so that the brackets on the back edge are in line with the brackets in the wall.
7. Lace one end of the nylon restraint strap down through each bracket. Bring both ends together and slide the beaded end until it snap locks into the keyhole slot.
9. To double lock; return the beaded end back through the keyholes as shown.
10. Check to make sure the straps are securely laced and locked to the brackets. Please see **FIGURE 02**.

CARE INSTRUCTIONS

- Dust often using a clean, soft, dry lint-free cloth.
- Blot spills immediately, and wipe with a clean, damp, cloth.
- We do not recommend the use of chemical cleansers, abrasives, or furniture polish on our lacquered finish.

FIGURE 01

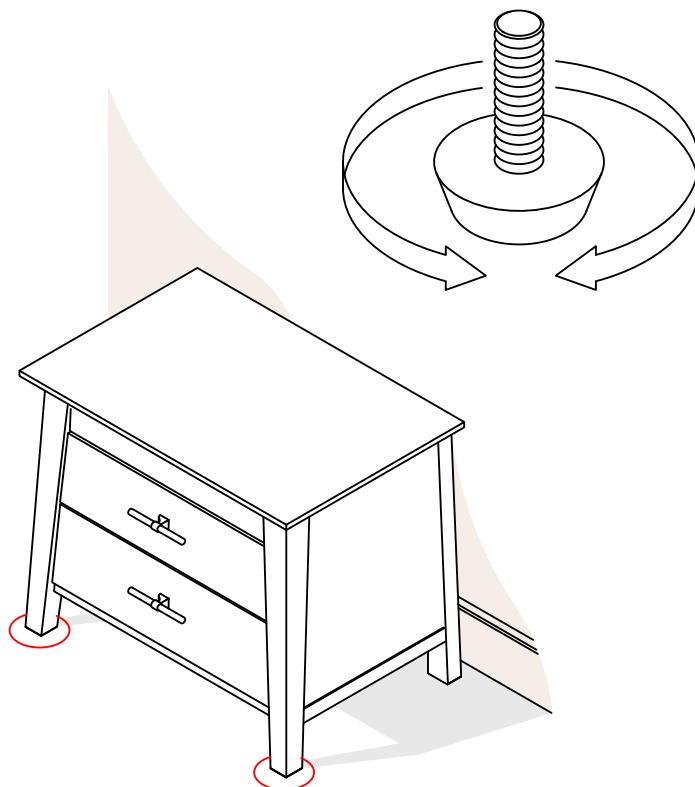
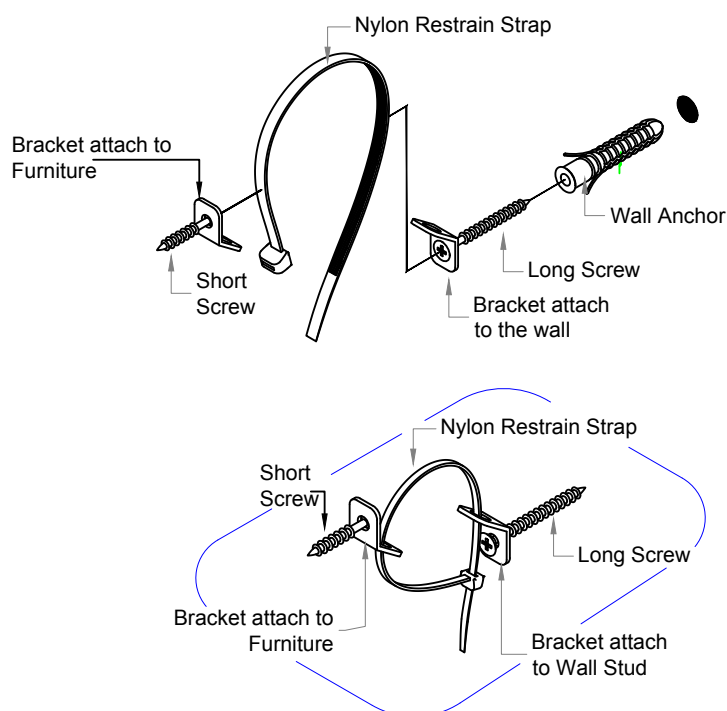


FIGURE 02



Thank you for your purchase
www.arhaus.com

ARHAUS®

your home

LOREN OPEN NIGHSTAND

Thank you for choosing this quality product. Be sure to check all packaging materials carefully for small parts that may have become loose during shipment and place all parts on a non-abrasive surface.

⚠️ WARNING: These case parts can be cumbersome and heavy to some people, therefore the assistance of two or more people is recommended in order to prevent personal injury and ensure the case are not damaged during the assembly process.

HARDWARE LIST

- [4] BRACKET
- [2] RESTRAINT STRAP
- [4 SHORTER] PHILIPS SCREWS
- [4 LONGER] PHILIPS SCREWS
- [4] PLASTIC ANCHOR

INSTALLATION INSTRUCTIONS

- From the desired location, pre-set the unit 16" to 20" from the wall, examine the alignment of the doors and drawers, if leveling is necessary. If needed, slightly tilt the base and turn the head of the levelers clockwise to raise the furniture and counter clockwise to lower it. Adjust all levelers until the correct level or flatness is achieved. Repeat adjustment procedures if necessary, after the furniture settles on rugs or on carpeted surface. Please see **FIGURE 01**

ANTI TIP KIT INSTALLATION

- Attach two of the mounting brackets near the top back edge of the furniture piece using the shorter screw.
- Determine the final position of the furniture piece and mark locations on the wall approximately 2" below the brackets mounted to the back of the furniture piece.
- Drill a shorter hole into the dry wall stud. If wall stud is not available, drill a hole into the solid wall and insert plastic anchor. Gently tap the anchor until the flange is flush with the wall.
- Attach the second set of brackets using the longer screw through the bracket hole and into the wall.
- Place the furniture so that the brackets on the back edge are in line with the brackets in the wall.
- Lace one end of the nylon restraint strap down through each bracket. Bring both ends together and slide the beaded end until it snap locks into the keyhole slot.
- To double lock; return the beaded end back through the keyholes as shown.
- Check to make sure the straps are securely laced and locked to the brackets. Please see **FIGURE 02**.

CARE INSTRUCTIONS

- Dust often using a clean, soft, dry lint-free cloth.
- Blot spills immediately, and wipe with a clean, damp, cloth.
- We do not recommend the use of chemical cleansers, abrasives, or furniture polish on our lacquered finish.

FIGURE 01

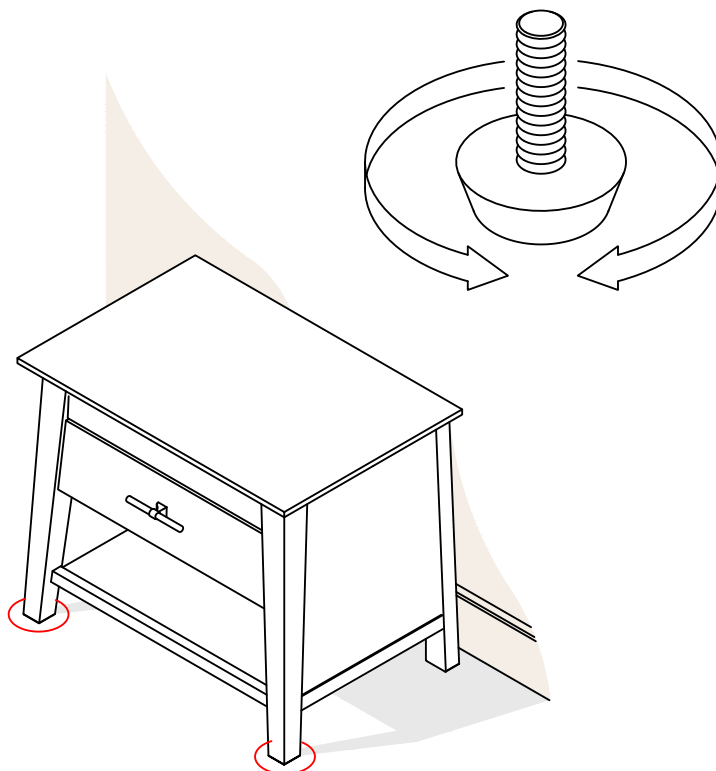
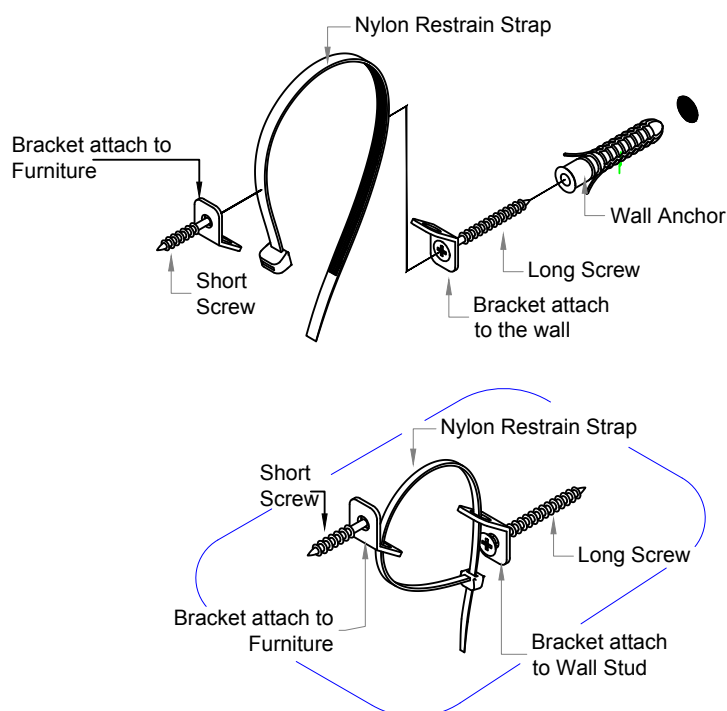


FIGURE 02



Thank you for your purchase
www.arhaus.com

ARHAUS®

your home

LOREN TALL DRESSER

Thank you for choosing this quality product. Be sure to check all packaging materials carefully for small parts that may have become loose during shipment and place all parts on a non-abrasive surface.

⚠️ WARNING: These case parts can be cumbersome and heavy to some people, therefore the assistance of two or more people is recommended in order to prevent personal injury and ensure the case are not damaged during the assembly process.

HARDWARE LIST

- [4] BRACKET
- [2] RESTRAINT STRAP
- [4 SHORTER] PHILIPS SCREWS
- [4 LONGER] PHILIPS SCREWS
- [4] PLASTIC ANCHOR

INSTALLATION INSTRUCTIONS

1. From the desired location, pre-set the unit 16" to 20" from the wall, examine the alignment of the doors and drawers, if leveling is necessary. If needed, slightly tilt the base and turn the head of the levelers clockwise to raise the furniture and counter clockwise to lower it. Adjust all levelers until the correct level or flatness is achieved. Repeat adjustment procedures if necessary, after the furniture settles on rugs or on carpeted surface. Please see **FIGURE 01**.

ANTI TIP KIT INSTALLATION

2. Attach two of the mounting brackets near the top back edge of the furniture piece using the shorter screw.
3. Determine the final position of the furniture piece and mark locations on the wall approximately 2" below the brackets mounted to the back of the furniture piece.
4. Drill a shorter hole into the dry wall stud. If wall stud is not available, drill a hole into the solid wall and insert plastic anchor. Gently tap the anchor until the flange is flush with the wall.
5. Attach the second set of brackets using the longer screw through the bracket hole and into the wall.
6. Place the furniture so that the brackets on the back edge are in line with the brackets in the wall.
7. Lace one end of the nylon restraint strap down through each bracket. Bring both ends together and slide the beaded end until it snap locks into the keyhole slot.
9. To double lock; return the beaded end back through the keyholes as shown.
10. Check to make sure the straps are securely laced and locked to the brackets. Please see **FIGURE 02**.

CARE INSTRUCTIONS

- Dust often using a clean, soft, dry lint-free cloth.
- Blot spills immediately, and wipe with a clean, damp, cloth.
- We do not recommend the use of chemical cleansers, abrasives, or furniture polish on our lacquered finish.

FIGURE 01

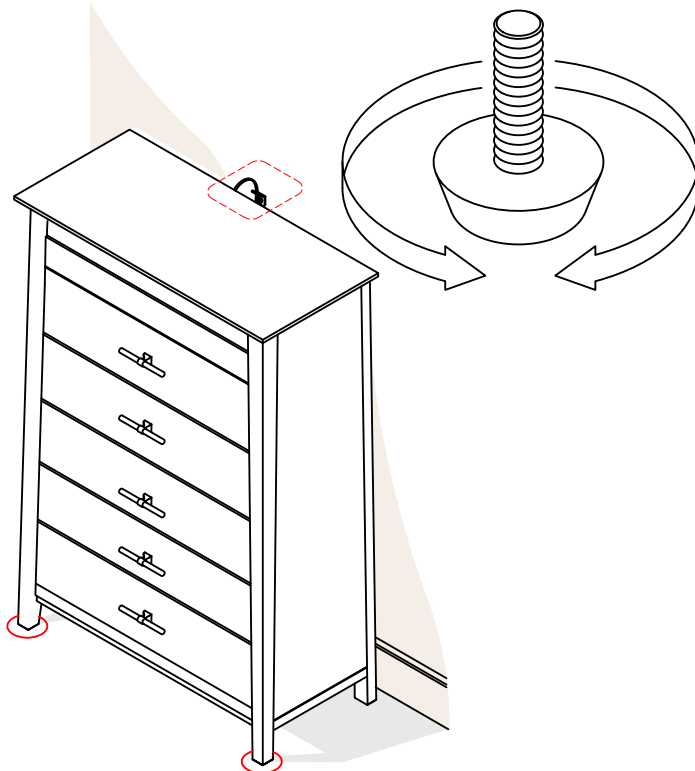
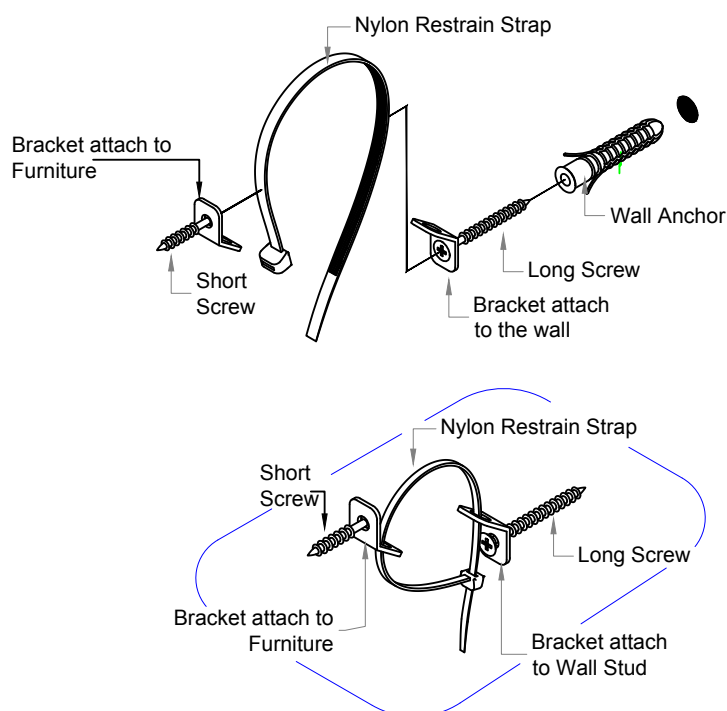


FIGURE 02



Thank you for your purchase
www.arhaus.com

ARHAUS®

your home

LOREN WIDE DRESSER

Thank you for choosing this quality product. Be sure to check all packaging materials carefully for small parts that may have become loose during shipment and place all parts on a non-abrasive surface.

⚠️WARNING: These case parts can be cumbersome and heavy to some people, therefore the assistance of two or more people is recommended in order to prevent personal injury and ensure the case are not damaged during the assembly process.

HARDWARE LIST

- [4] BRACKET
- [2] RESTRAINT STRAP
- [4 SHORTER] PHILIPS SCREWS
- [4 LONGER] PHILIPS SCREWS
- [4] PLASTIC ANCHOR

INSTALLATION INSTRUCTIONS

1. Tilt of gently laid the chest of drawers on its back and install the leg in the middle as shown in **FIGURE 01**.
2. From the desired location, pre-set the unit 16" to 20" from the wall, examine the alignment of the doors and drawers, if leveling is necessary. If needed, slightly tilt the base and turn the head of the levelers clockwise to raise the furniture and counter clockwise to lower it. Adjust all levelers until the correct level or flatness is achieved. Repeat adjustment procedures if necessary, after the furniture settles on rugs or on carpeted surface. Please see **FIGURE 02**.

ANTI TIP KIT INSTALLATION

3. Attach two of the mounting brackets near the top back edge of the furniture piece using the shorter screw.
4. Determine the final position of the furniture piece and mark locations on the wall approximately 2" below the brackets mounted to the back of the furniture piece.
5. Drill a shorter hole into the dry wall stud. If wall stud is not available, drill a hole into the solid wall and insert plastic anchor. Gently tap the anchor until the flange is flush with the wall.
6. Attach the second set of brackets using the longer screw through the bracket hole and into the wall.
7. Place the furniture so that the brackets on the back edge are in line with the brackets in the wall.
8. Lace one end of the nylon restraint strap down through each bracket. Bring both ends together and slide the beaded end until it snap locks into the keyhole slot.
9. To double lock; return the beaded end back through the keyholes as shown.
10. Check to make sure the straps are securely laced and locked to the brackets. Please see **FIGURE 03**.

CARE INSTRUCTIONS

- Dust often using a clean, soft, dry lint-free cloth.
- Blot spills immediately, and wipe with a clean, damp, cloth.
- We do not recommend the use of chemical cleansers, abrasives, or furniture polish on our lacquered finish.

FIGURE 01

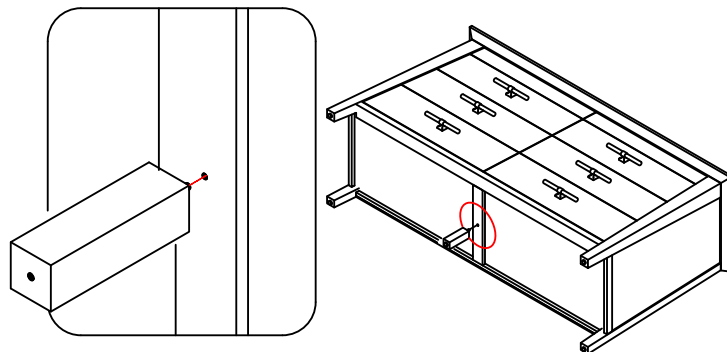


FIGURE 02

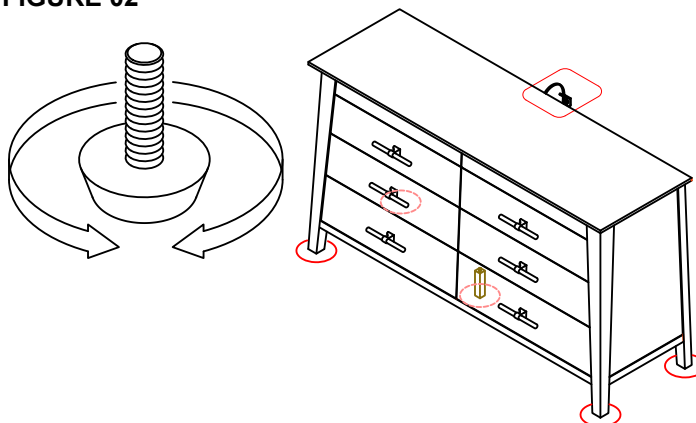
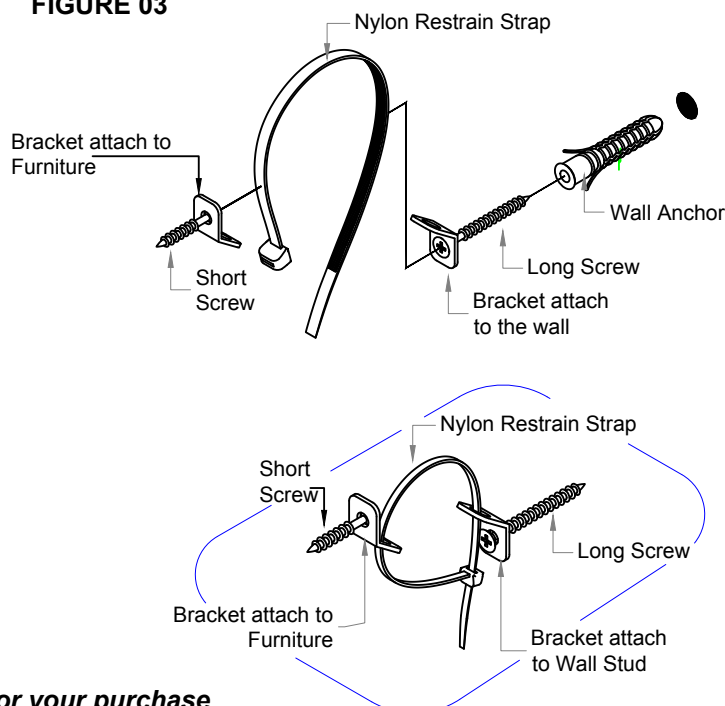


FIGURE 03



Thank you for your purchase
www.arhaus.com

BEDROOM PARTS SKUS

Super Category	Product ID	Description	Collection	Route
BEDROOM	91LORECKSLAT	LOREN CALI KING BED SLATS	PT-LOREN	
BEDROOM	91LORECKCTSP	LOREN CK BED CENTR SUPPORT LEG	PT-LOREN	
BEDROOM	91LORENASHW	LOREN KING & CK ASSEMBLY HW 1 PACK	PT-LOREN	
BEDROOM	91LOREKGLAT	LOREN KING BED SLATS	PT-LOREN	
BEDROOM	91LOREKGCTSP	LOREN KING CENTER SUPPORT LEG	PT-LOREN	
BEDROOM	91LORENTPULL	LOREN NT DRAWER PULL 1 PIECE	PT-LOREN	
BEDROOM	91LORENTSLID	LOREN NT DRAWER SLIDES 1 = PAIR OF SLIDES	PT-LOREN	
BEDROOM	91LOREONTPLL	LOREN OPEN NT DRAWER PULL 1 PIECE	PT-LOREN	
BEDROOM	91LOREONTSLD	LOREN OPEN NT DRAWER SLIDES 1 = PAIR OF SLIDES	PT-LOREN	
BEDROOM	91LORENQASHW	LOREN QUEEN ASSEMBLY HW 1 PACK	PT-LOREN	
BEDROOM	91LOREQNSLAT	LOREN QUEEN BED SLATS	PT-LOREN	
BEDROOM	91LOREQNCTSP	LOREN QUEEN CENTER SUPPORT LEG	PT-LOREN	
BEDROOM	91LORETDPULL	LOREN TD DRAWER PULL 1 PIECE	PT-LOREN	
BEDROOM	91LORETDSLID	LOREN TD DRAWER SLIDES 1 = PAIR OF SLIDES	PT-LOREN	
BEDROOM	91LORETDJWTR	LOREN TD JEWELRY TRAY 1 PIECE	PT-LOREN	
BEDROOM	91LOREWDCCTSP	LOREN WD CENTER SUPPORT LEG 1 PIECE	PT-LOREN	
BEDROOM	91LOREWDPULL	LOREN WD DRAWER PULL 1 PIECE	PT-LOREN	

DISCONTINUED

ARHAUS®

your home

madeline

**Daybed**

79" w x 39" d x 38" h
45MADALINE2

**Trundle**

71.5" w x 38.5" d x 6" h; adjusts to 17" h
TRUNDLE

Trundle Mattress

75" w x 38" d x 8" h
TRUNDMATT

Full of vintage charm

Our elegant Madeline beds are perfect fits for any guest room, office, or little princess's bedroom. Featuring classic detailing, frames are crafted with solid, cast iron fittings and heavy iron support columns. Each casting is carefully poured by artisan hands and finished to perfection—creating an antique aesthetic that will stand the test of time. Accompanying trundle beds feature a unique hydraulic system that allows them to adjust in height for added comfort. Trundle mattresses sold separately.

product details

- ▶ Bed frames are craftsman-built with solid cast iron fittings and heavy iron support columns.
- ▶ Mattress platforms are outfitted with vertical stretchers for added support.
- ▶ Cast iron is poured by artisan hands and finished to perfection with a powder coating for added durability.
- ▶ Finished frames are hand-painted and antiqued, creating a perfect vintage bronze patina.
- ▶ Beds are compatible with twin size mattresses.
- ▶ Trundle beds are crafted in the United States and features unique hydraulic systems that allow them to elevate for more comfortable sleep.
- ▶ Trundle mattresses are exclusively designed for Arhaus to complement the Madeline Trundle.
- ▶ Trundle and mattress sold separately.
- ▶ Keep your furniture looking its best. Visit arhaus.com or speak to any Arhaus Design Consultant for care recommendations.



ARHAUS®

your home

mandara



King Bed
82.5" w x 85.5" d x 70.5" h
45MANDARAKG

Queen Bed
69" w x 85.5" d x 70.5" h
45MANDARAQN



Nightstand
27.75" w x 19" d x 27.75" h
45MANDARANT



Finish:
Javanese
Grey

an authentic work of art

Completely hand-carved over a week by a single artisan—each piece of our Mandara collection is sculpted from solid mahogany. Indonesian craftsmen create stunning designs in small, limited quantities using traditional, time-honored techniques. Featuring incredible detailing and intricately scrolling floral motifs, every wooden surface of these beautiful bedroom masterpieces is artisan-finished and lacquered for added protection and subtle sheen. Simple finishes emphasize every carved pattern, allowing natural shadows to define each sculpted line and curve.

product details

- ▶ Handcrafted by Indonesian artisans from solid mahogany and mahogany veneers.
- ▶ Scrolling floral motifs are meticulously hand-carved over a week by a single artisan, using traditional tools and techniques.
- ▶ Wooden surfaces are beautifully hand-painted in our distressed Javanese Grey finish layered with a subtle white glaze to further accentuate the carvings' stunning details.
- ▶ Finishes are coated in lacquer for added protection.
- ▶ Each piece is accented with simple, stainless steel hardware.
- ▶ Frames are reinforced with engineered hardwood for added stability.
- ▶ This collection is artisan-crafted from natural materials with hand-applied finishes. Individual pieces may vary in color, pattern, shape, and texture, making each truly unique.
- ▶ Natural wood may display small splits, knots, joint lines, or other organic features that will not affect the quality or performance of your piece.
- ▶ Platform-style beds do not require box springs.
- ▶ Mandara bed frames accommodate for variances in mattress sizes and allow bedding to be tucked in.
- ▶ Bed frames are not compatible with motion bases.
- ▶ Nightstands feature drawers mounted on metal soft-close glides.
- ▶ Keep your furniture looking its best. Visit arhaus.com or speak to any Arhaus Design Consultant for care recommendations.



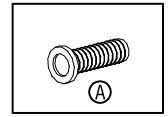
ARHAUS

your home

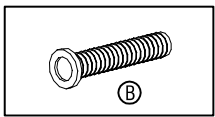
Mandara Bed

Assembly Instruction

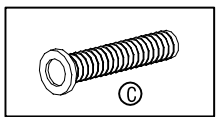
LIST OF HARDWARE PROVIDED



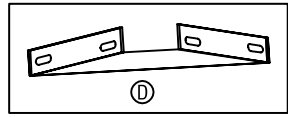
Small Bolt 16 pcs



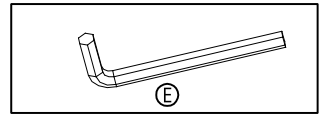
Large Bolt 4 pcs



Medium bolt 5 pcs

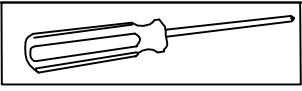


Metal corner 4 pcs



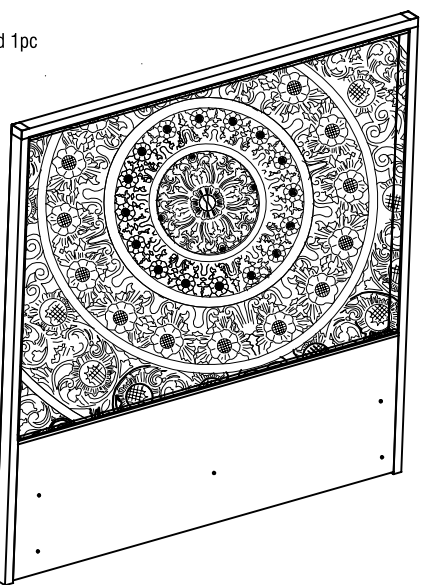
Allen Key 1 pc

TOOLS REQUIRED



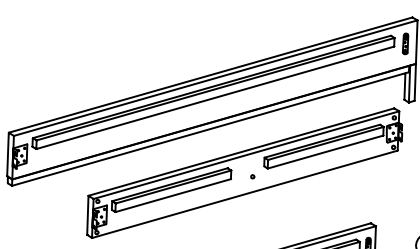
PART

Headboard 1pc



F

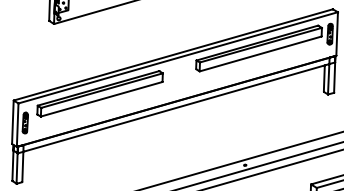
Side Rail 2 pcs



G

H

FootBoard 2 pcs



I

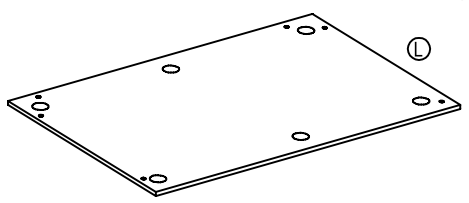
J

Center Bed 1 pc

K

Legs 1 pc

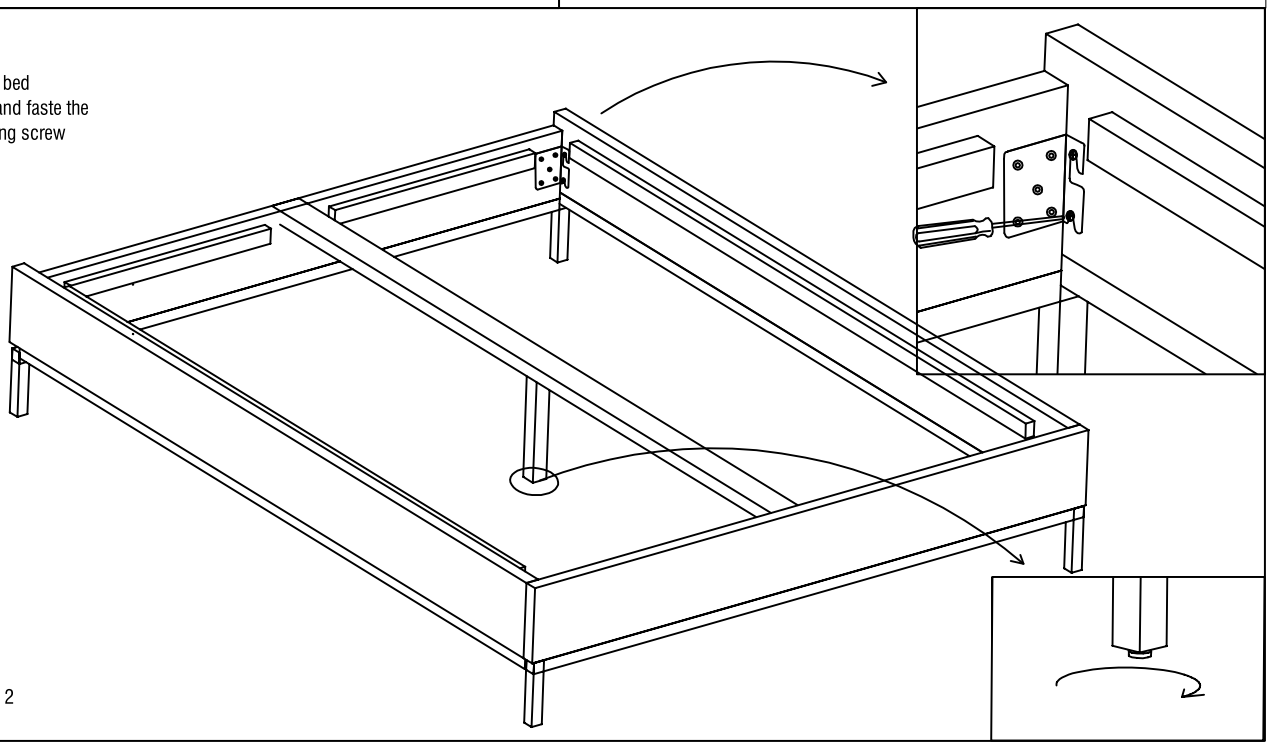
Mattress Slat 2 pcs



L

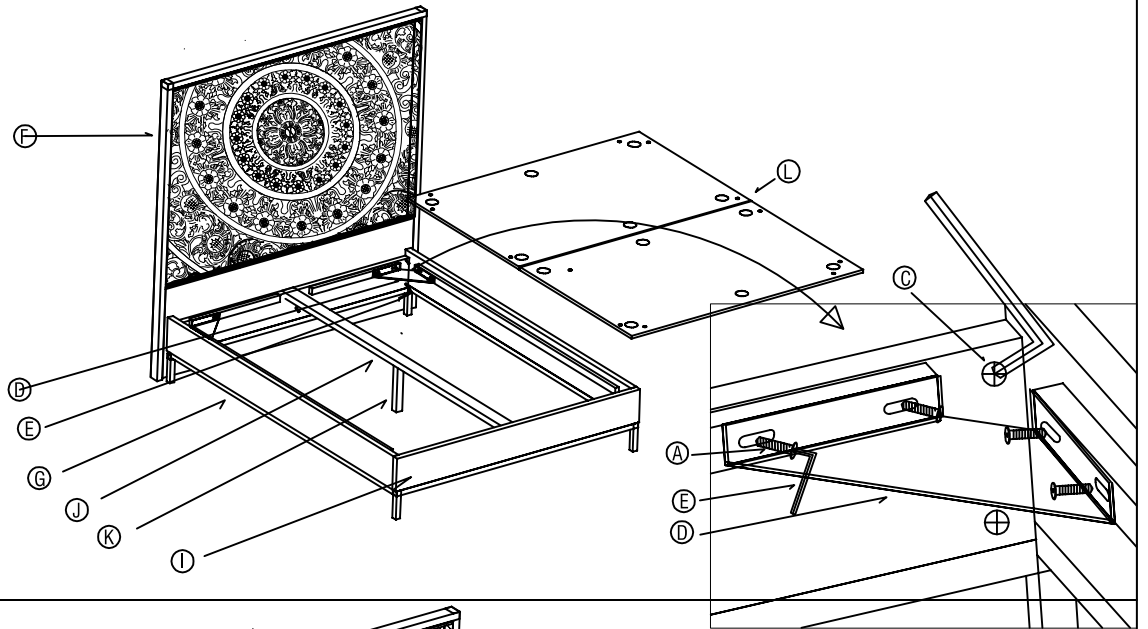
Step 1

Assemble the bed components and fasten the connector using screw driver



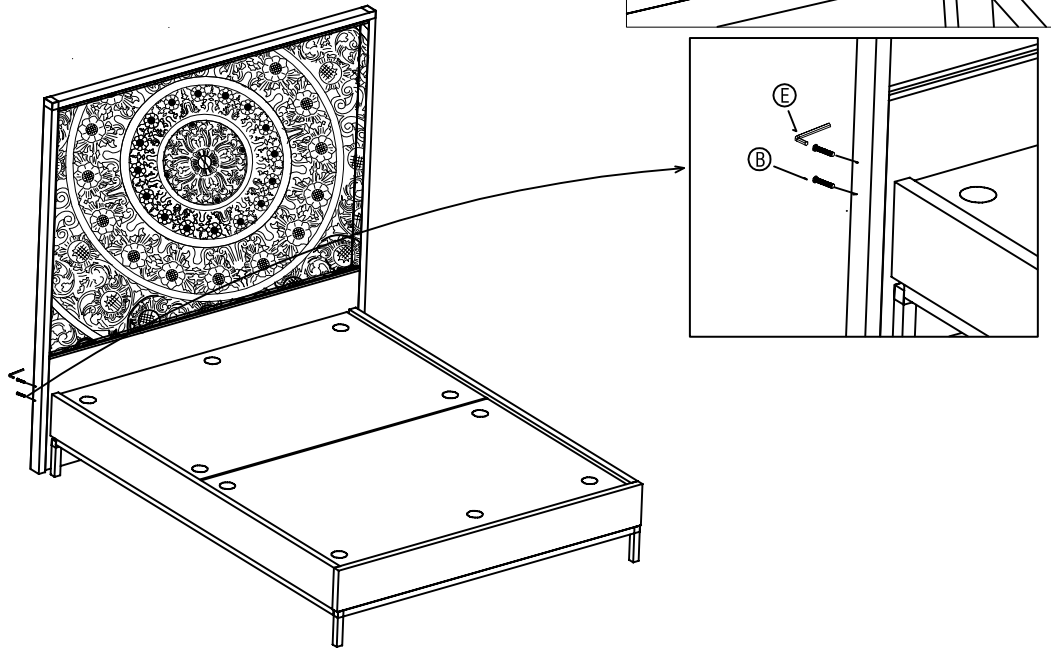
Step 2

Attach the corner and secure it with small bolts



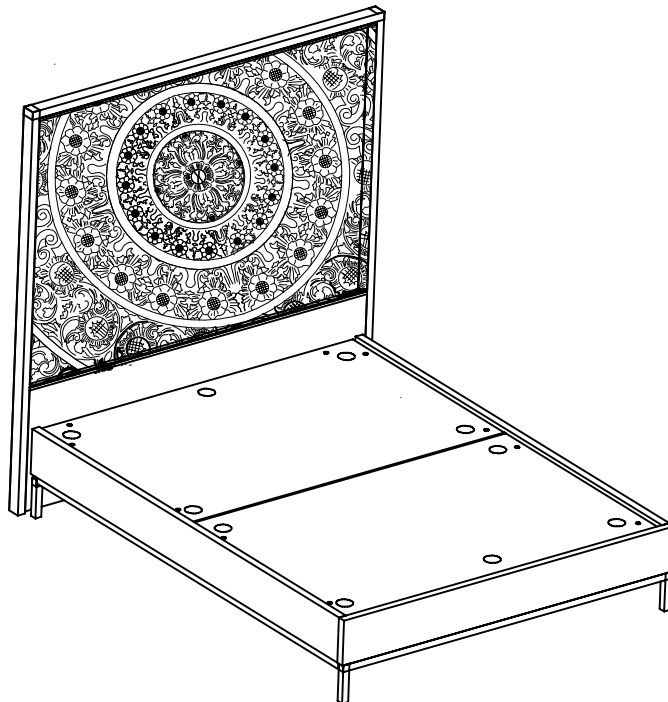
Step 3

Attach the bolts behind the headboard as illustrated and put on the mattress slat



Step 4

The Bed is ready to use



BEDROOM PARTS SKUS

Super Category	Product ID	Description	Collection	Route
BEDROOM	91MANDARAKHW	MANDARA KING BED ASSEMBLY HW	PT-MANDARA	PART
BEDROOM	91MANDARAQHW	MANDARA QUEEN BED ASSEMBLY HW	PT-MANDARA	PART

ARHAUS®

your home

mariah



Queen Bed
72" w x 99" d x 64" h
45MARQN

King Bed
83" w x 91" d x 64" h
45MARKG

California King Bed*
83" w x 104" d x 64" h



Mariah Queen Headboard
72" w x 16" d x 64" h
45MARQHB

Mariah King Headboard
83" w x 13" d x 64" h
45MARKHB

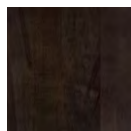
Metal Bed Frame

King
71" w x 76" d x 7.5" h 45KGMTFRMFM

Queen
71" w x 60" d x 7.5" h 45QNMTFRMFM



Fabric:
Taft Pewter



Finish:
Fossil

your style your way

Craft a custom design that tells your style story.

This collection is available in special-order:

Fabrics and Leathers | Ask in store or call 866.427.4287

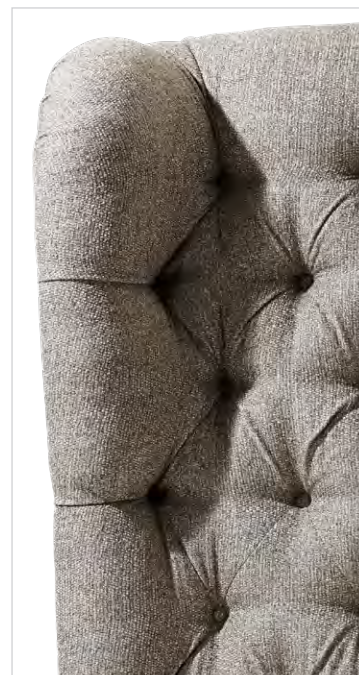
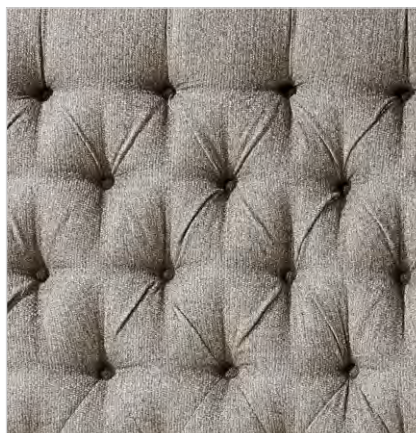
*available by special order

understated yet grand,

our Mariah Collection's versatile, neutral aesthetic complements any décor style. Expertly upholstered in luxurious materials, the rounded corners of these beds' head and footboards are accentuated by hand-sewn fabric-wrapped buttons. Small steel nailheads grace perimeters, adding a bit of structure to this luxurious bedroom set. Each piece can also be customized to perfectly suit your personal preferences. Use an array of fabrics, leathers, and finishes to complete your vision and tell your style story.

product details

- ▶ Solid wood legs are hand-stained in our rich Fossil finish to complement upholstered headboards and footboards.
- ▶ Craftsman-built frames are constructed using reinforced, cross-directional hardwood laminate for superior stability.
- ▶ Arhaus upholstery is handcrafted by artisans in North Carolina, using wood certified by the Sustainable Forestry Initiative.
- ▶ Upholstery is generously padded with dense, eco-friendly foam, made partly from plant-based material, wrapped in poly fiber padding—creating a luxurious backdrop for comfortable resting.
- ▶ Delivering strong, reliable support to your mattress set, a trio of solid hardwood panels rest securely on solid wood braces attached to the inside of side rails.
- ▶ Bed frames include space to accommodate variances in mattress sizes and allow bedding to be tucked into the frame.
- ▶ Metal Bed Frames are made from reinforced recycled railroad steel supported by double center rails for increased strength and durability.
- ▶ Keep your furniture looking its best. Visit arhaus.com or speak to any Arhaus Design Consultant for care recommendations.



DISCONTINUED**ARHAUS®**

your home

maya

Queen Bed
67" w x 85.5" d x 60" h
45MAYAQN

King Bed
83" w x 85.5" d x 60" h
45MAYAKG

airy traditional style

Inspired by the natural beauty of Indonesia, our Maya Beds are crafted by local artisans from rattan mesh and Manau rattan cane—the strongest and best quality rattan in the world. Indigenous to the Sumatra region of Indonesia, Manau is denser than other rattan, making it ideal for furniture-building. For added design and textural interest, Manau cane poles are hand-wrapped in half-split rattan. Steam-bent and woven frames are hand-stained in a warm honey finish to complement the materials' natural features.

product details

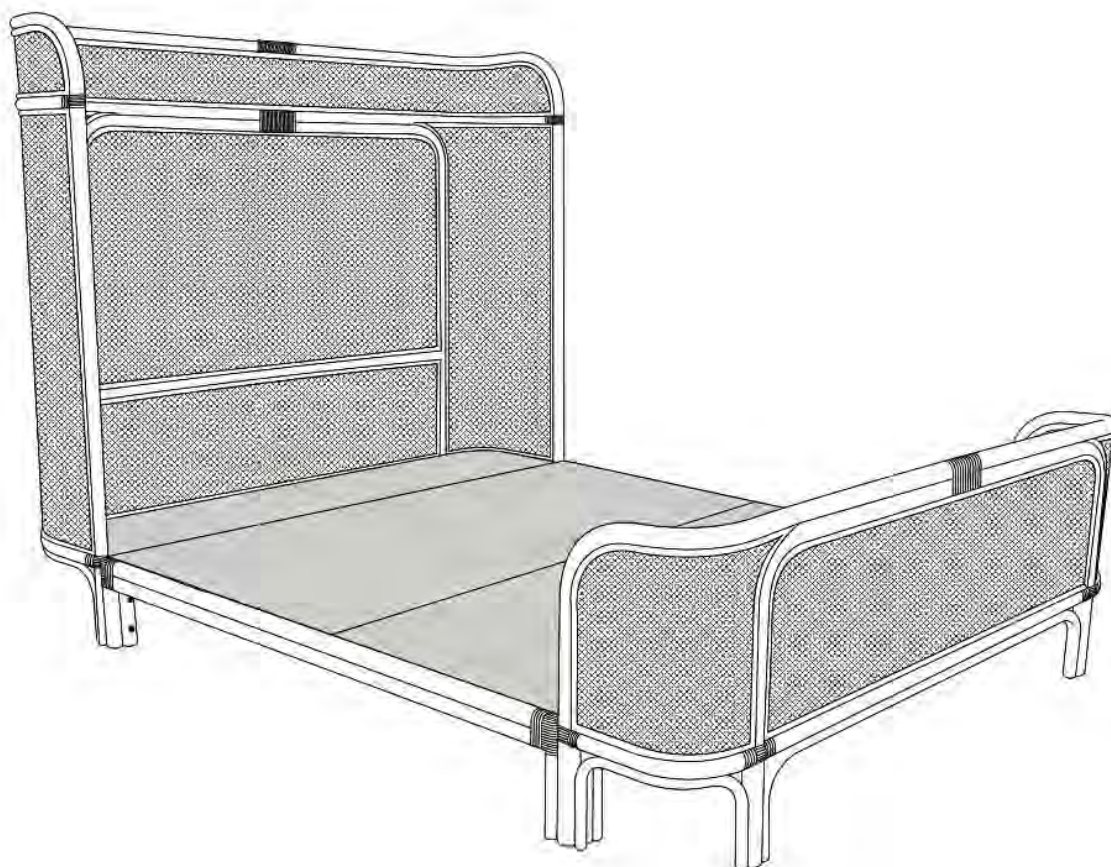
- ▶ Artisan-crafted bed frames are built from woven rattan mesh and steam-bent Manau rattan cane from the Sumatra region of Indonesia.
- ▶ Manau rattan is the strongest and best quality rattan in the world—with a high density that makes it ideal for furniture construction.
- ▶ A five-step finishing process includes sanding the rattan by hand to ensure everything is impeccably smooth.
- ▶ Bed frames are steam-bent and hand-stained in a warm honey color to complement the rattan's natural features.
- ▶ Stained finishes are coated in lacquer for added protection and subtle sheen.
- ▶ Maya beds do not require box springs.
- ▶ Bed frames are designed to accommodate for variances in mattress sizes and allow bedding to be tucked in.
- ▶ Maya bed frames are not compatible with motion bases.
- ▶ Keep your furniture looking its best. Visit arhaus.com or speak to any Arhaus Design Consultant for care recommendations.



DISCONTINUED

ARHAUS[®]

your home

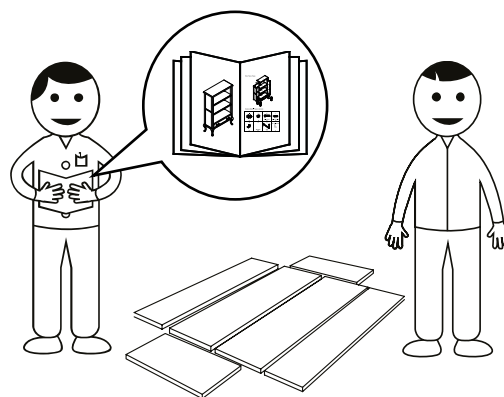
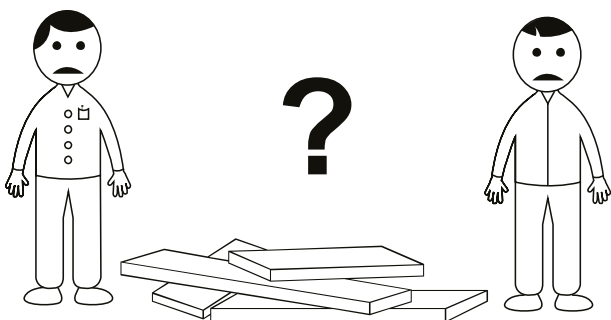
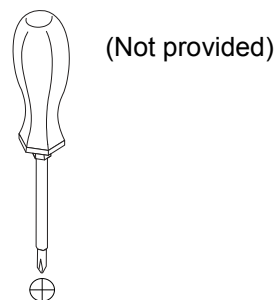
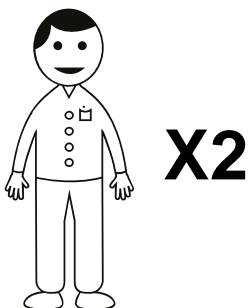


DISCONTINUED

- **Hardware Located inside the Headboard Carton (Box 1)**

Care Instructions:

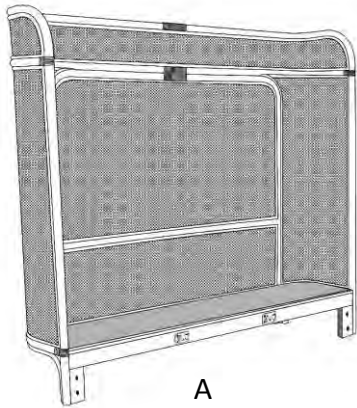
- Dust often using a clean, soft, dry and lint-free cloth.
- For spills, wipe with a clean, damp cloth immediately.
- We do not recommend the use of chemical cleansers, abrasives or furniture polish on our lacquered finish.
- Hardware may loosen over time. Periodically check to make sure all connections are tight. Re-tighten if necessary.



Assembly instructions

DISCONTINUED**Parts Enclosed Box 1:**

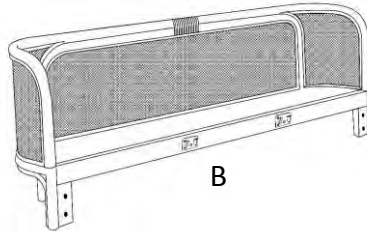
- (A) Headboard – 1x



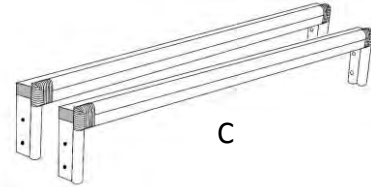
A

Parts Enclosed Box 2:

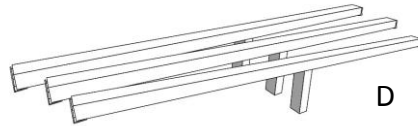
- (B) Footboard – 1x
- (C) Side Rails – 2x
- (D) Leg Supports – 3x
- (E) Mattress Supports – 2x



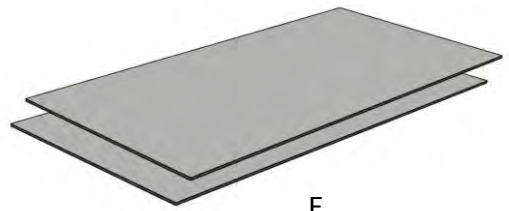
B



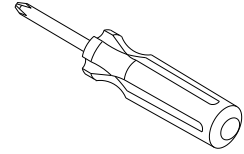
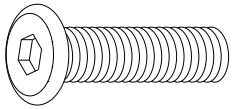
C



D



E

Tool Required:**Hardware :**

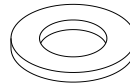
F



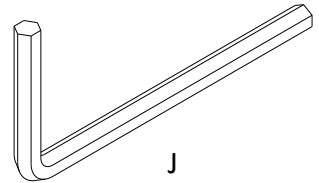
G



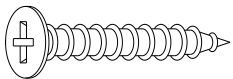
H



I



J



K

F. Allen Bolt M6 x 40 mm (8x)

G. Allen Bolt M6 x 70 mm (8x)

H. Spring Washer (16x)

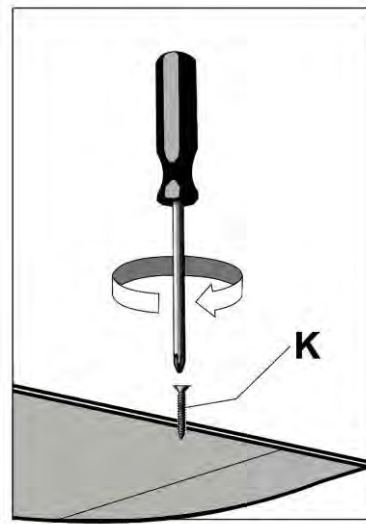
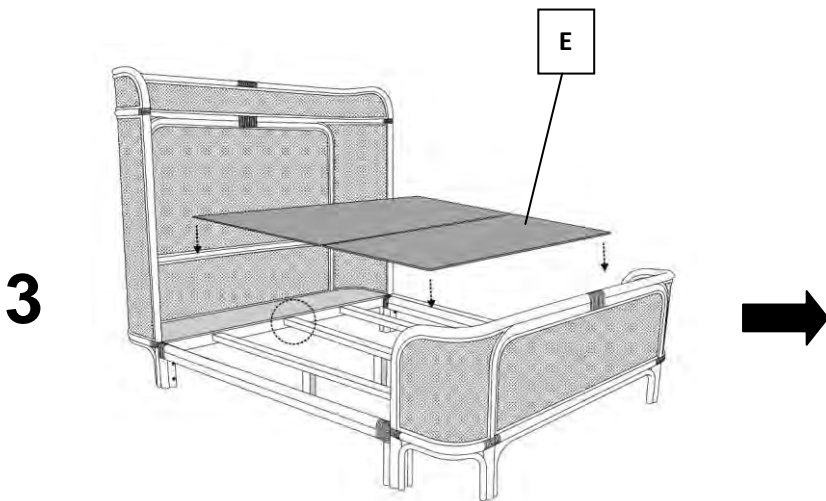
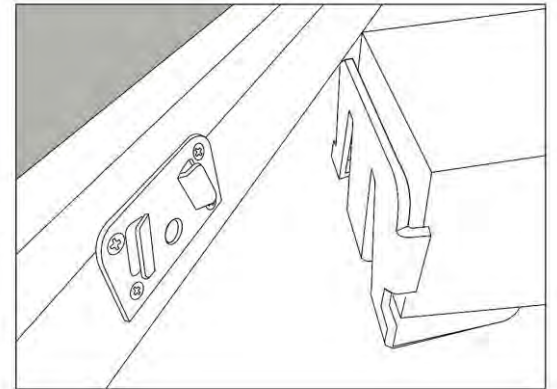
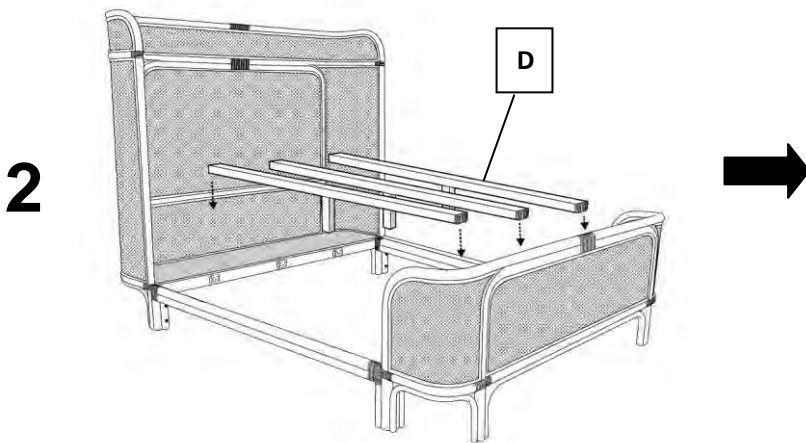
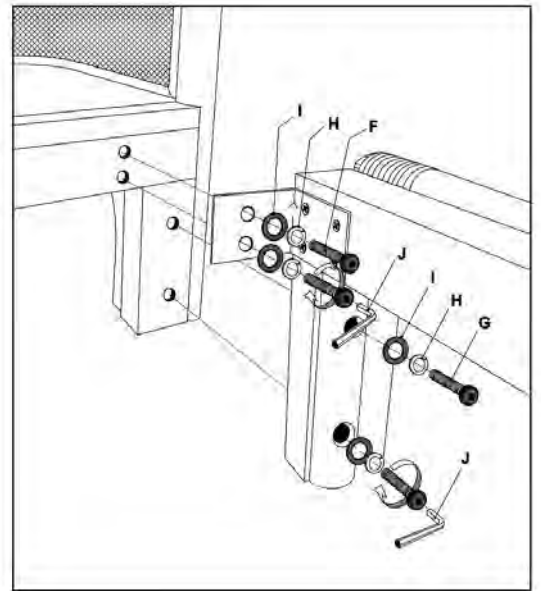
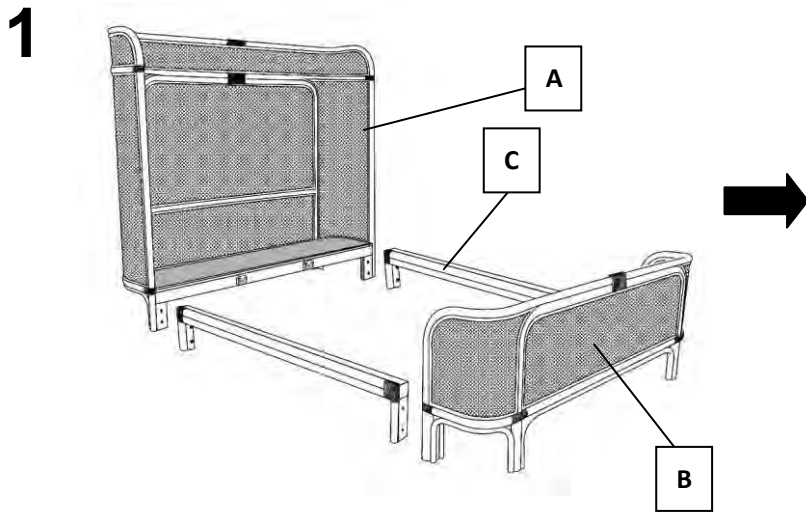
I. Flat Washer (16x)

J. Allen Key (1x)

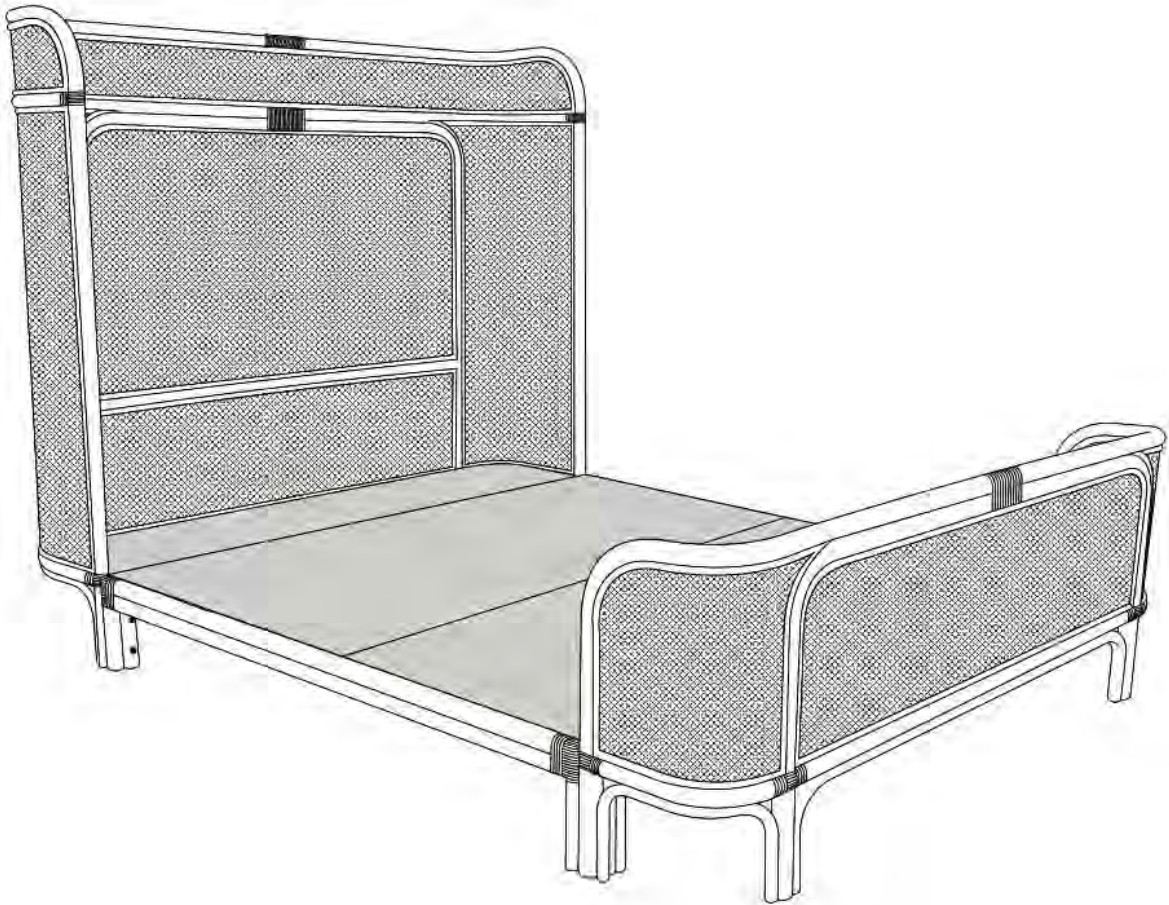
K. Screw 6 x 1" (8x)

KING BED HARDWARE: 91MAYAKGHW
 QUEEN BED HARDWARE: 91MAYAQNHW

Assembly instructions



DISCONTINUED



BEDROOM PARTS SKUS

Super Category	Product ID	Description	Collection	Route
BEDROOM	91MAYAKGHW	MAYA ASSEMBLY HW KING	PT-MAYA	PART
BEDROOM	91MAYAQNHW	MAYA ASSEMBLY HW QUEEN	PT-MAYA	PART

ARHAUS®

your home

nika

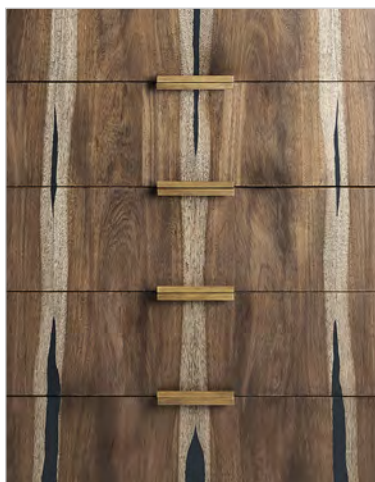
**Nightstand**22" w x 15.5" d x 27.5" h
45NIKANT**Tall Dresser**38" w x 19.75" d x 50" h
45NIKATD**Wide Dresser**62" w x 19.75" d x 31" h
45NIKAWD

organically inspired

Our Nika Bedroom Collection pairs structured lines with organic textures—carefully arranged to honor the stunning Nopo timber used to craft each surface. Preserving the wood's natural beauty and detail with artisan-applied finishes and lacquer, these magnificent pieces celebrate the live edges of each hand-laid plank. Thickly cut veneers are bookmatched together—arranged consecutively, allowing their edges to form gaps, which are filled by epoxy resin. This comfortably allows the planks to remain straight, adding to each piece's overall contemporary style.

product details

- ▶ Craftsman-built case pieces are constructed using solid hardwood and ash veneers with nopo-veneer drawer fronts.
- ▶ Bases are made from steel with an antiqued brass finish to complement each piece's warm wood tones.
- ▶ Nopo wood is sustainably grown and harvested near the Gulf of Mexico.
- ▶ Nopo is traditionally used in the dance of "Voladores de Papantla", during which "flying men" jump and swing from 50-foot Nopo poles.
- ▶ Nopo surfaces are bookmatched—formed using consecutively cut wood veneers. Surfaces are finished with epoxy resin to fill gaps.
- ▶ Wood surfaces are gently hand-stained to accentuate their natural characteristics; and lacquered with acrylic for added protection and subtle sheen.
- ▶ Drawers feature under-mounted soft-close glides for easy opening and closing.
- ▶ This collection is artisan-crafted from natural materials with hand-applied finishes. Individual pieces may vary in color, pattern, shape, and texture, making each truly unique.
- ▶ Natural wood may display small splits, knots, joint lines, or other organic features that will not affect the quality or performance of your piece.
- ▶ Keep your furniture looking its best. Visit arhaus.com or speak to any Arhaus Design Consultant for care recommendations.



BEDROOM PARTS SKUS

Super Category	Product ID	Description	Collection	Route
BEDROOM	91NIKATIPKT	NIKA ANTI-TIP KIT	PT-NIKA	
BEDROOM	91NIKAASHW	NIKA BEDROOM ASSEMBLY HARDWARE	PT-NIKA	
BEDROOM	91NIKAGLIDE	NIKA CASE PIECE GLIDES	PT-NIKA	
BEDROOM	91NIKAPULL	NIKA DRAWER PULLS	PT-NIKA	

ARHAUS®

your home

nolan

**Queen Bed**

70" w x 91" d x 61" h
 Tumble White 45NOLANWQN
 Norre Steel 45NOLQN

King Bed

83" w x 91" d x 61" h
 Tumble White 45NOLANWKG
 Norre Steel 45NOLKKG

California King Bed*

82" w x 98" d x 61" h

**Queen Headboard**

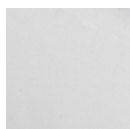
70" w x 8" d x 61" h
 Tumble White 45NOLWQNHB
 Norre Steel 45NOLQNHB

King Headboard

83" w x 8" d x 61" h
 Tumble White 45NOLWKGHB
 Norre Steel 45NOLKGHB

Metal Bed Frame

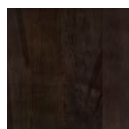
King
 71" w x 76" d x 7.5" h
 45KGMTFRMFM
 Queen
 71" w x 60" d x 7.5" h
 45QNMTFRMFM

Fabrics:

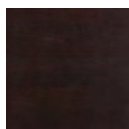
Tumble White



Norre Steel

Finishes:

Fossil



Hickory

your style your way

Craft a custom design that tells your style story.

This collection is available in special-order:

Fabrics and Leathers | Ask in store or call 866.427.4287

***available by special order**

regal at first glance, Nolan is soft and inviting.

Upholstered in our fresh Tumble White fabric or our dark, grey Norre Steel recycled leather, this bed collection is both durable and beautiful. Craftsman-built frames are constructed from solid, sustainably sourced hardwood and reinforced for superior stability. Upholstered surfaces are generously padded with dense eco-friendly foam and poly-fiber, adding softness, luxury, and comfort. Hand-sewn tufting details and a row of brass nailheads along bed edges complete the look, framing your space with luxe relaxation.

product details

- ▶ Beds and headboards are upholstered in new Tumble White fabric or Norre Steel recycled leather.
- ▶ Crafted from the remains of top-quality hides, our Easy-Care Recycled Leathers are artisan-finished to retain the natural color and texture of traditional leathers without the cost.
- ▶ Eco-friendly recycled leathers are resistant to stains, fading, scratches, and moisture, and can be easily spot-cleaned using mild soap and water.
- ▶ Pieces upholstered in Tumble White fabric are hand-stained in our Fossil finish. Pieces upholstered in Norre Steel recycled leather are complemented by our Hickory finish.
- ▶ Hand-applied wood finishes are lacquered for added protection and subtle sheen.
- ▶ Small brass nailheads are applied by hand along the side panels, headboard, footboard and base.
- ▶ Craftsman-built frames are constructed using reinforced hardwood for superior stability.
- ▶ Frames are fully padded in dense foam and fibers to create a cozy backdrop.
- ▶ A trio of hardwood panels attached to the side rails deliver strong, reliable support.
- ▶ Bed frames include space to accommodate variances in mattress sizes and allow bedding to be tucked in.
- ▶ Metal Bed Frames are made from reinforced, recycled railroad steel supported by double center rails for increased strength and durability.
- ▶ Keep your furniture looking its best. Visit arhaus.com or speak to any Arhaus Design Consultant for care recommendations.



BEDROOM PARTS SKUS

Super Category	Product ID	Description	Collection	Route
BEDROOM	9114BD-K2N	NOLAN BED WOODEN SLAT KING	PT-NOLAN	PART
BEDROOM	9114BD-Q2N	NOLAN BED WOODEN SLAT QUEEN	PT-NOLAN	PART

ARHAUS®

your home

palmer

**King Bed**

81" w x 85" d x 54" h

Natural Oak 45PALMWKKT2
 Bali Brown 45PALMBRKGKT
 Stone on Ash 45PALMSKKT

Queen Bed

64.5" w x 85" d x 54" h

Natural Oak 45PALMWQKT2
 Bali Brown 45PALMBRQNK2
 Stone on Ash 45PALMSQKT

California King

76.5" w x 85" d x 54" h

Natural Oak 45PALMWKKT2
 Bali Brown 45PALMBRKGKT
 Stone on Ash 45PALMSCKKT

**King Storage Bed**

80" w x 85" d x 54" h

Natural Oak 45PALMWKSB
 Stone on Ash 45PALMSKSKT
Drawer interior: 18.5" w x 8" d x 7" h

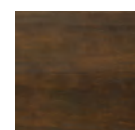
Queen Storage Bed

64" w x 85" d x 54" h

Natural Oak 45PALMWQSB
 Stone on Ash 45PALMSQSKT
Drawer interior: 18.5" w x 8" d x 7" h

Finishes:

Natural Oak



Bali Brown



Stone on Ash

artisan-finished contemporary designs

Skillfully handcrafted by Indonesian artisans our Palmer Bedroom Collection's modern lines and contemporary, minimalist styling are designed to perfectly complement its practical functionality. Constructed from solid ash and ash veneer, American oak, or Indonesian mango wood this collection brings artistry and unique character to natural materials—highlighting the rich colors and organic features that make each piece one-of-a-kind. This suite of bedroom pieces is thoughtfully finished in natural and neutral tones to add a chic framework to any aesthetic.

product details

- ▶ Pieces finished in Natural Oak are craftsman-built from solid oak farm-grown and harvested in the United States.
- ▶ Pieces finished in Bali Brown are craftsman-built from solid mango sustainably harvested in Indonesia.
- ▶ Pieces finished in Stone on Ash are craftsman-built from solid ash wood surfaced with ash veneers for a consistent surface.
- ▶ Wood planks are hand-planed and sanded for a textured surface with a naturally weathered appearance.
- ▶ Surfaces are layered with several coats of glaze and stain to create rich natural wood tones.
- ▶ Finishes are lacquered with a matte topcoat for extra protection.
- ▶ Parsons-style iron bases are powder-coated to prevent rusting and provide a protective finish.
- ▶ Bed frames include space to accommodate variances in mattress sizes and allow bedding to be tucked into frame.
- ▶ Storage beds feature two drawers on each side, providing convenient space for clothes or linens.
- ▶ Storage nightstands are specifically designed to accommodate the drawers of our Storage Beds.
- ▶ California King Bed frame cavity measures 73" w x 85" d
- ▶ King Bed frame cavity measures 77" w x 80.25" d
- ▶ Queen Bed frame cavity measures 73" w x 85" d
- ▶ Bed frame clearance measures 8" h.
- ▶ Keep your furniture looking its best. Visit arhaus.com or speak to any Arhaus Design Consultant for care recommendations.



ARHAUS®

your home



7-Drawer Dresser

63" w x 18" d x 34.5" h

Natural Oak	45PALMW7DR2
Bali Brown	45PALMBR7DR
Stone on Ash	45PALMS7DR



2-Over-4 Dresser

33" w x 18" d x 49.5" h

Natural Oak	45PALMW242
Bali Brown	45PALMBR24
Stone on Ash	45PALMS24



3-Drawer Chest

32" w x 18" d x 34" h

Natural Oak	45PALMW3DRC
Stone on Ash	45PALMS3DRC



Nightstand

19.5" w x 16" d x 28" h

Natural Oak	45PALMWNT2
Bali Brown	45PALMBRNT
Stone on Ash	45PALMSNT



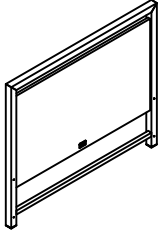
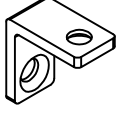
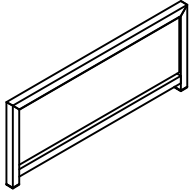
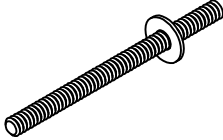
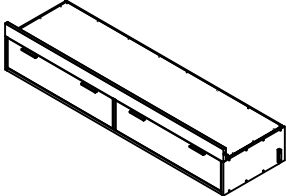
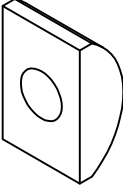

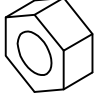
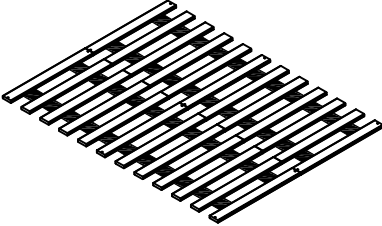
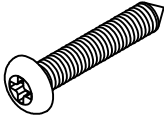
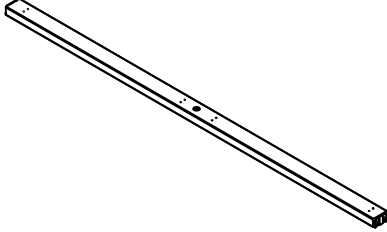
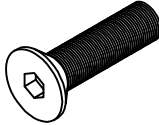

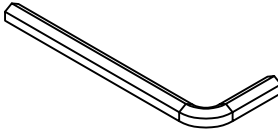
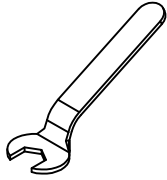
Storage Nightstand

19" w x 16" d x 28" h

Natural Oak	45PALMWSNT
Stone on Ash	45PALMSSNT

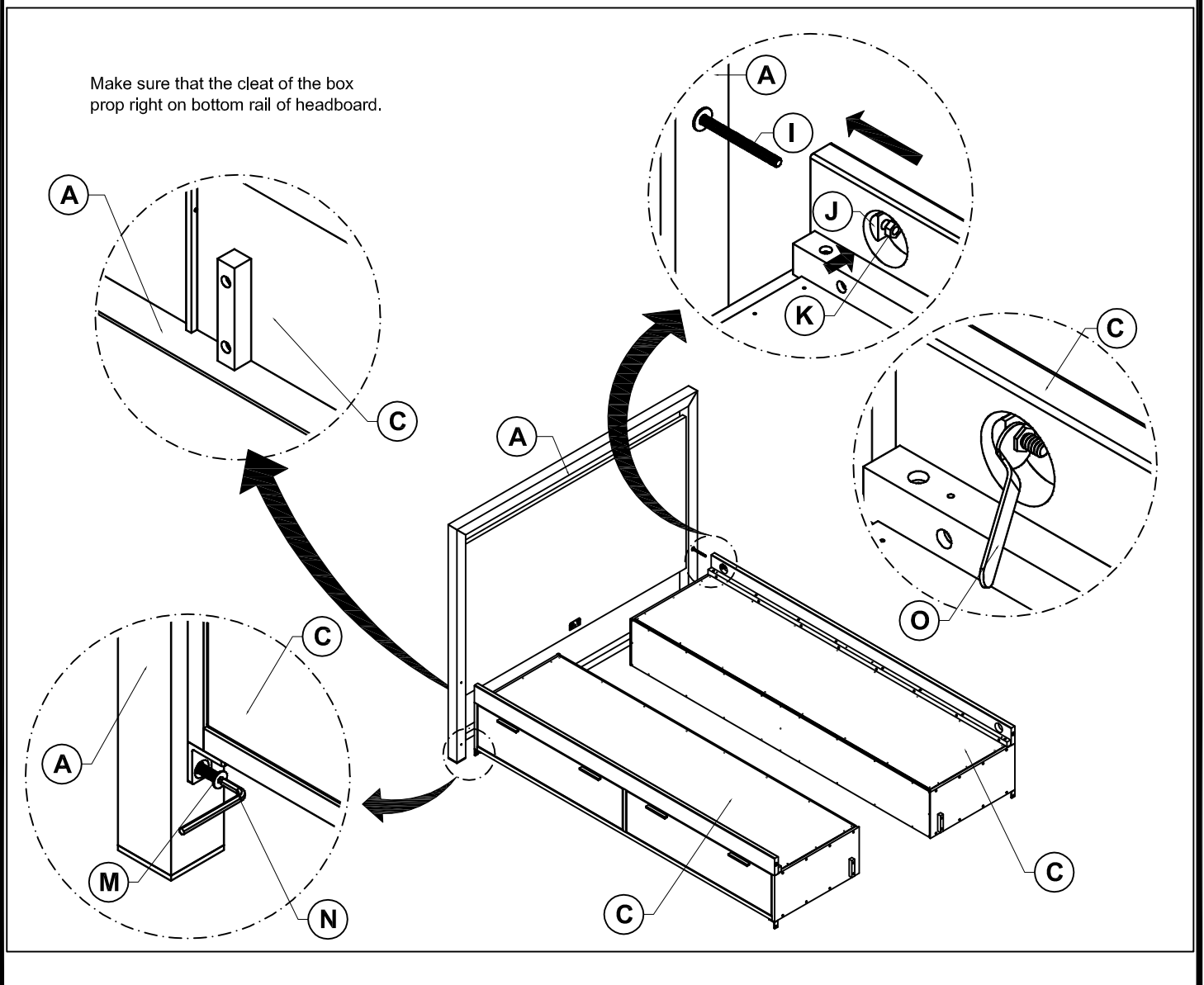
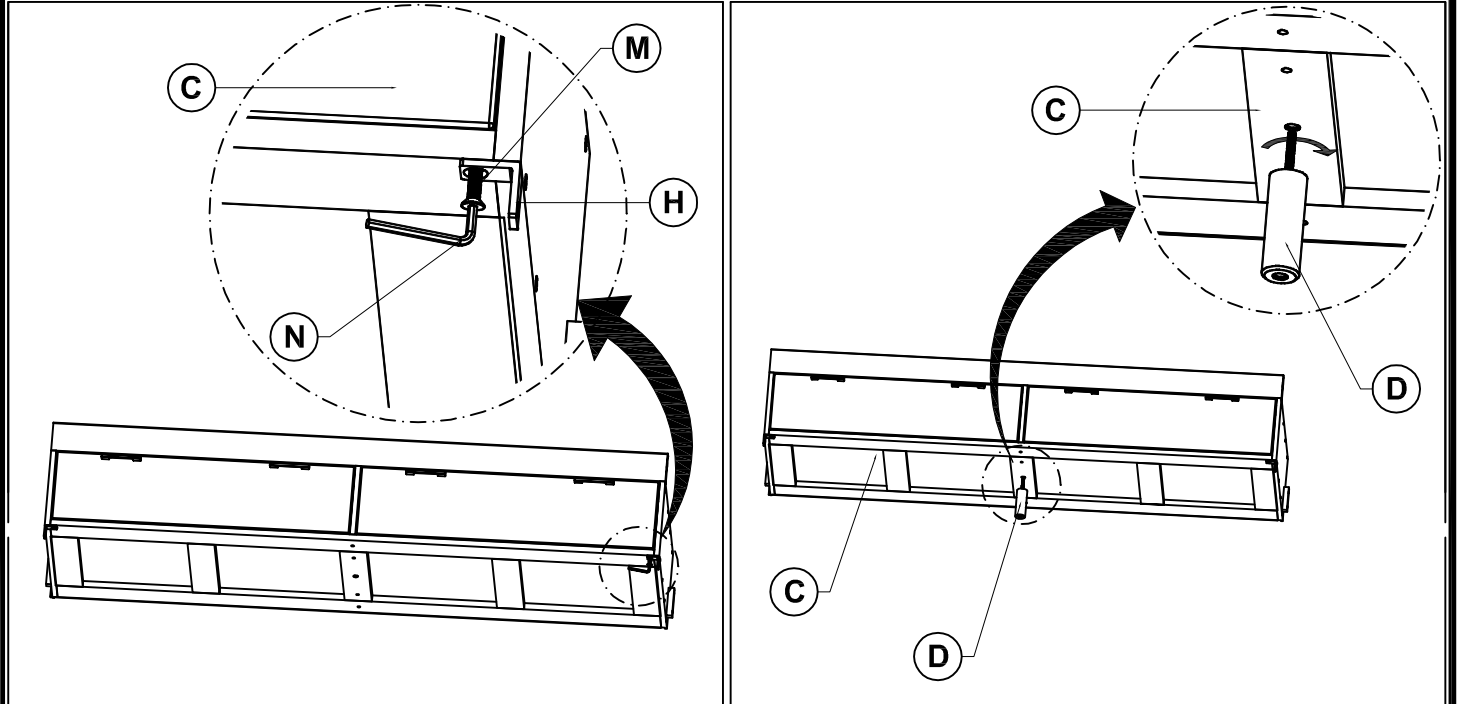
ASSEMBLY INSTRUCTIONS

PALMER STORAGE QUEEN BED

No	Parts List	Qty	No	Parts List	Qty
A		1 pc	H		4 pcs
B		1 pc	I		4 pcs
C		2 pcs	J		4 pcs
D		2 pcs	K		4 pcs
E		1 set	L		12 pcs
F		1 pc	M		8 pcs
G		1 pc	N		2 pcs
			O		3 pcs

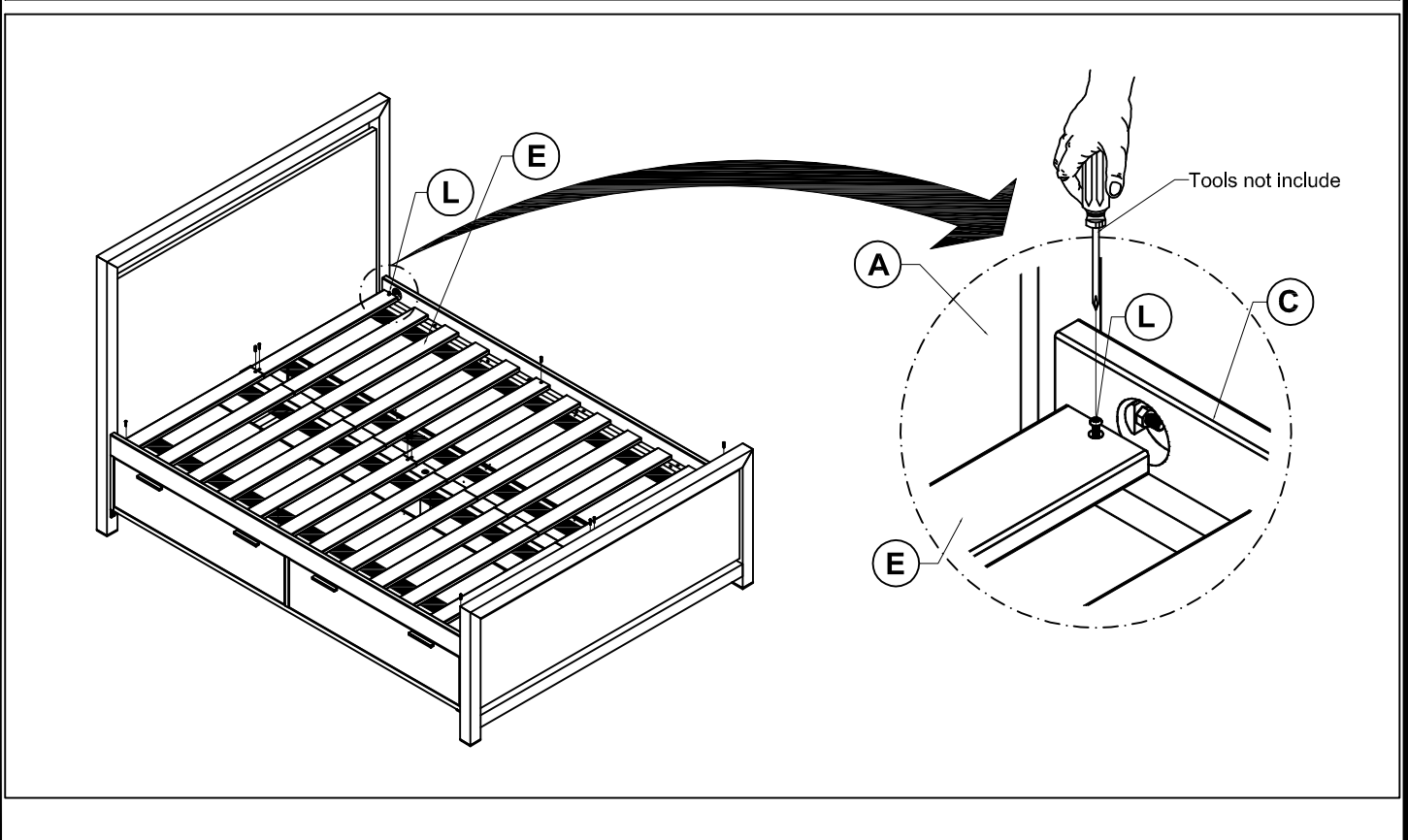
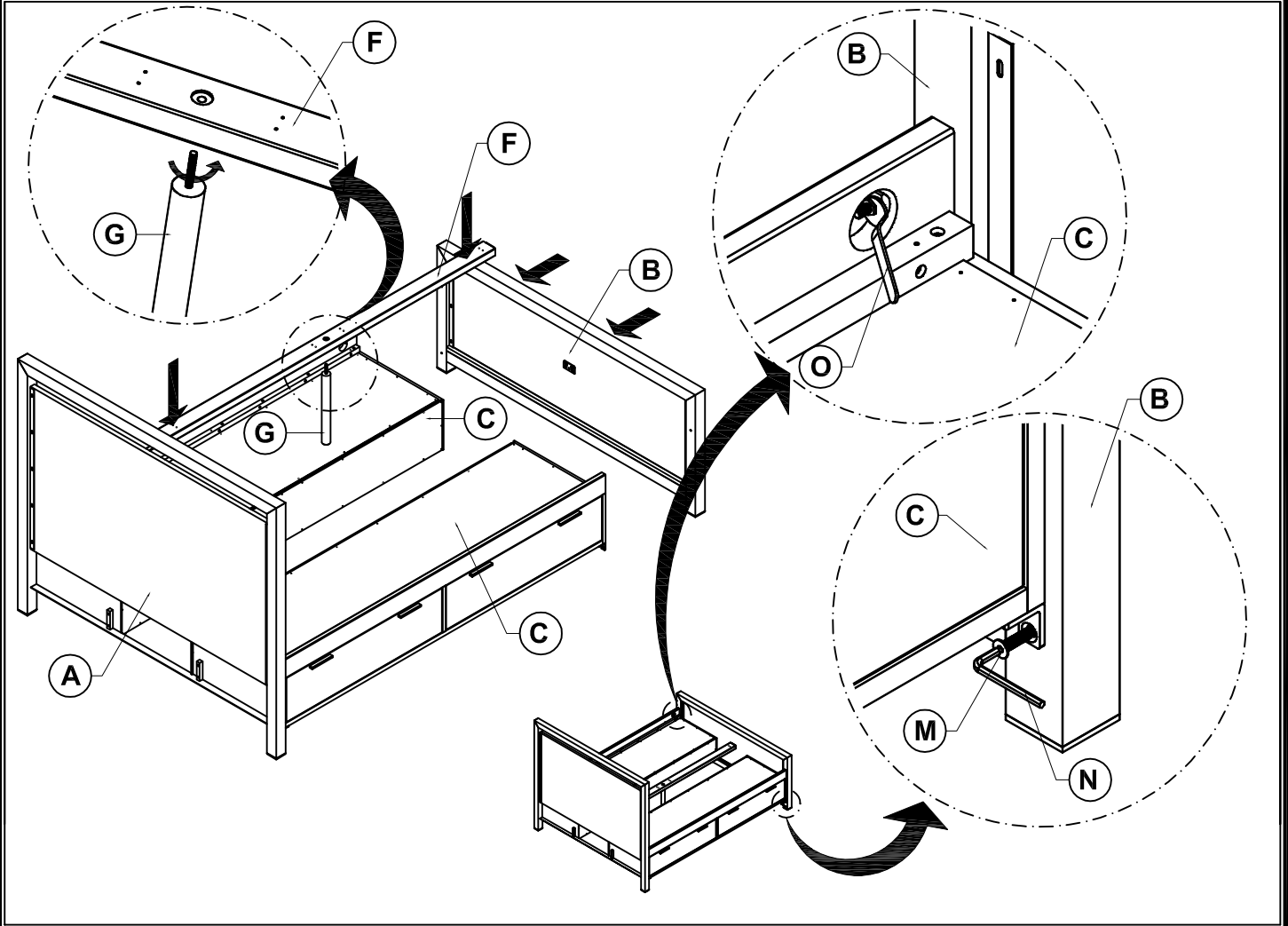
ASSEMBLY INSTRUCTIONS

PALMER STORAGE QUEEN BED



ASSEMBLY INSTRUCTIONS

PALMER STORAGE QUEEN BED



BEDROOM PARTS SKUS

Super Category	Product ID	Description	Collection	Route
BEDROOM	91511PALMBD	PALMER BED ASSEMBLY HDW	PT-PALMER	PART
BEDROOM	45PALMCTRLEG	PALMER BED CNTR LEG	PT-PALMER	PART
BEDROOM	91PALMDOWEL	PALMER BED DOWEL ROD QTY 1	PT-PALMER	PART
BEDROOM	91PALMRGLDLG	PALMER BED GLIDE LARGE FOR PALMER BED ONLY	PT-PALMER	PART
BEDROOM	91511PALLGFT	PALMER BED PLASTIC FOOT	PT-PALMER	PART
BEDROOM	91PALMKGSLT	PALMER BED SLATS KING	PT-PALMER	PART
BEDROOM	91PALMQNSLT	PALMER BED SLATS QUEEN	PT-PALMER	PART
BEDROOM	91PALMKSBCS	PALMER BED STOR CNTR SUPPRT KG	PT-PALMER	PART
BEDROOM	91PALMRGLIDE	PALMER DRAWER GLIDE PALMER DRAWER GLIDE	PT-PALMER	PART
BEDROOM	91511PALMPUL	PALMER DRAWER PULL FOR BROWN AND MANGO	PT-PALMER	PART
BEDROOM	91PALMNTGLIDE	PALMER NIGHTSTAND GLIDE PALMER BEDROOM	PT-PALMER	PART
BEDROOM	91511PALSMFT	PALMER PLASTIC FOOT FOR ALL PALMER PIECES	PT-PALMER	PART
BEDROOM	91PALMSASHW	PALMER STORAGE BED ASSEMBLY HW ALL SIZES	PT-PALMER	
BEDROOM	91PALMTBLFT	PALMER TABLE PLASTIC FEET PLASTIC LEG CAP	PT-PALMER	PART

ARHAUS®

your home

pearson

**King Bed**

80" w x 96.5" d x 34.5" h

London Fog/Top Secret Pearl

Basa Natural/Cedar Natural

Bastian Brown/Dante Stone

Stratus/Top Secret Pearl

45PEARFUKKT

45PEARNUKKT

45PEARBUKKT

45PEARSUKKT

King Low-Footboard Bed

80" w x 93.5" d x 17.75" h

London Fog/Top Secret Pearl

Basa Natural/Cedar Natural

Bastian Brown/Dante Stone

Stratus/Top Secret Pearl

45PEARFULKKT

45PEARNULKKT

45PEARBULKKT

45PEARSULKKT

Queen Bed

64.5" w x 96.5" d x 34.5" h

London Fog/Top Secret Pearl

Basa Natural/Cedar Natural

Bastian Brown/Dante Stone

Stratus/Top Secret Pearl

45PEARFUQKT

45PEARNUQKT

45PEARBUQKT

45PEARSUQKT

Queen Low-Footboard Bed

64.5" w x 93.25" d x 17.75" h

London Fog/Top Secret Pearl

Basa Natural/Cedar Natural

Bastian Brown/Dante Stone

Stratus/Top Secret Pearl

45PEARFULQKT

45PEARNUQKT

45PEARBULQKT

45PEARSULQKT

Finishes:

London Fog



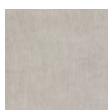
Basa Natural



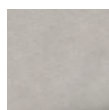
Bastian Brown



Stratus

Fabrics:

Cedar Natural



Top Secret Pearl



Dante Stone

beds

- ▶ Beds are beautifully accentuated with hand-carved moulding.
- ▶ Bed frames accommodate for variances in mattress sizes and allow bedding to be tucked in.
- ▶ Queen bed frame interior measures 81" w x 61" h
- ▶ King bed frame interior measures 81" w x 77" h

truly versatile aesthetics

Our Pearson collection enhances your décor with classic design and easily transitions from traditional to modern styles depending on your aesthetic. Handcrafted by Indonesian artisans, Pearson is expertly constructed from sustainably grown mindi wood and mindi veneers for a smooth uniform surface. Simple, sophisticated details like plush upholstered headboards, rich finishes, and curved, hand-carved moulding are masterfully applied by hand to add sophisticated style to each piece and complement the mindi wood's natural beauty.

product details

- ▶ This artisan-crafted collection is built in Indonesia from solid, locally grown, sustainably harvested mindi wood and mindi veneers.
- ▶ Frames are supported by mortise-and-tenon joinery and corner-block reinforcements for exceptional stability.
- ▶ Each piece is hand-sanded, hand-finished in rich tones, and brushed with lacquer for added protection and subtle sheen.
- ▶ Drawer fronts are decorated with hand-carved, curved moulding, while drawer interiors are lined with beech wood veneers.
- ▶ This collection is artisan-crafted from natural materials with hand-applied finishes. Individual pieces may vary in color, pattern, shape, and texture, making each truly unique.
- ▶ Natural wood may display small splits, knots, joint lines, or other organic features that will not affect the quality or performance of your piece.
- ▶ Furniture made from natural wood may move slightly due to temperature and humidity. This is normal and should be expected from season to season.
- ▶ Keep your furniture looking its best. Visit arhaus.com or speak to any Arhaus Design Consultant for care recommendations.



ARHAUS®

your home



King Storage Bed

80" w x 96.5" d x 34.5" h

London Fog/Top Secret Pearl

45PEARFSUKKT

Basa Natural/Cedar Natural

45PEARNSUKKT

Bastian Brown/Dante Stone

45PEARBSUKKT

Stratus/Top Secret Pearl

45PEARSSUKKT

Queen Storage Bed

64.5" w x 96.5" d x 34.5" h

London Fog/Top Secret Pearl

45PEARFSUQKT

Basa Natural/Cedar Natural

45PEARNSUQKT

Bastian Brown/Dante Stone

45PEARBSUQKT

Stratus/Top Secret Pearl

45PEARSSUQKT

storage beds

- ▶ Storage bed bases include spacious drawers for added storage—featuring sturdy dovetail joinery and side-mounted glides.
- ▶ Storage bed drawer interior measures 33.25" w x 23.25" d x 5.75" h

case pieces

- ▶ Case pieces feature spacious drawers constructed with dovetail joinery and under-mounted, soft-close glides.
- ▶ Drawer fronts are decorated with hand-carved, curved moulding, while drawer interiors are lined with beech wood veneers.



3-Drawer Chest

35" w x 19" d x 35" h

London Fog

45PEARF3DR

Basa Natural

45PEARNS3DR

Bastian Brown

45PEARB3DR

Stratus

45PEARS3DR



2-Over-4 Dresser

40.5" w x 22.75" d x 56.25" h

London Fog

45PEARF24

Basa Natural

45PEARNS24

Bastian Brown

45PEARB24

Stratus

45PEARS24



6-Drawer Wide Dresser

67.75" w x 22.75" d x 38.5" h

London Fog

45PEARF6DR

Basa Natural

45PEARNS6DR

Bastian Brown

45PEARB6DR

Stratus

45PEARS6DR



11-Drawer Chest

67.75" w x 22.75" d x 53" h

London Fog

45PEARF11DR

Basa Natural

45PEARNS11DR

Bastian Brown

45PEARB11DR

Stratus

45PEARS11DR



Lingerie Chest

21.25" w x 20" d x 69" h

London Fog

45PEARFLNG

Basa Natural

45PEARNLNG

Bastian Brown

45PEARBLNG

Stratus

45PEARS LNG



Storage Nightstand

25.75" w x 19.5" d x 29" h

London Fog

45PEARFSNT

Basa Natural

45PEARNSNT

Bastian Brown

45PEARBSNT

Stratus

45PEARSSNT



Nightstand

27" w x 19.5" d x 29" h

London Fog

45PEARFNT

Basa Natural

45PEARNSNT

Bastian Brown

45PEARBNT

Stratus

45PEARSNT

nightstands

- ▶ Nightstands feature pull-out trays for additional storage and open display space.
- ▶ Storage Nightstands are designed to accommodate the Storage Bed's drawers.



Mirror

38" w x 1" d x 47" h

London Fog

45PEARFMR

Basa Natural

45PEARNSMR

Bastian Brown

45PEARBMR

Stratus

45PEARS MR

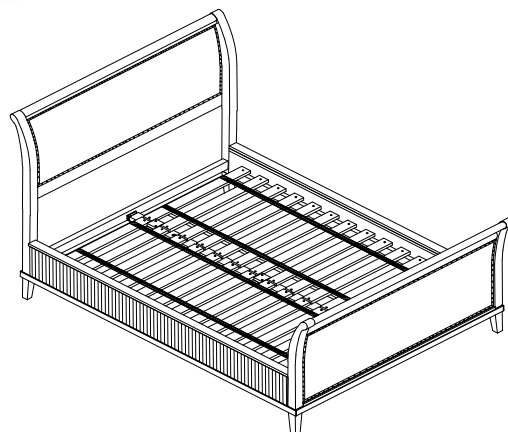
mirror


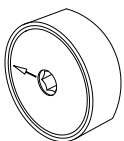
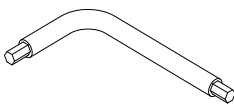
- ▶ Mirrors feature beveled glass encased in a thick, solid, hand-finished frame that can be hung vertically or horizontally. Professional installation recommended. Weighs 35 lbs.

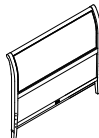
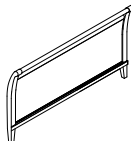
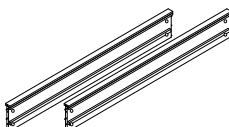
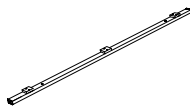

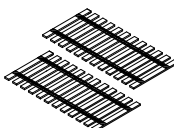
ARHAUS[®]

your home

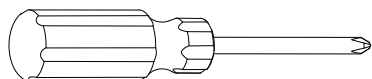
ASSEMBLY INSTRUCTION PEARSON BED UPH



Ltr.	Qty.	Hardware Included
A	8	 Bolts
B	8	 CAM LOCK
C	1	 Allen Key

Ltr.	Qty.	Part List
D	1	 Headboard
E	1	 Footboard
F	2	 Side Rail
G	1	 Center Support Rail
H	3	 Center Supports Leg
I	2	 Slat Rolls

Tools Not Included:



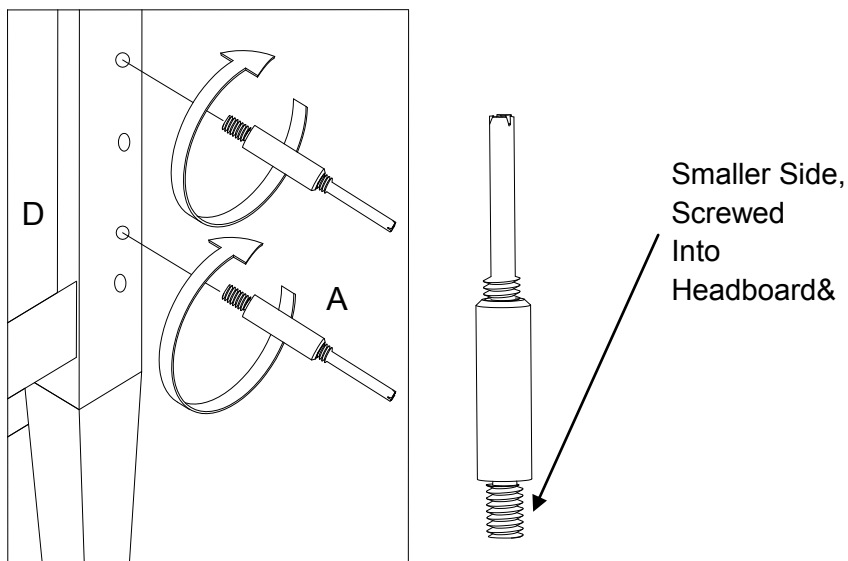
Screwdriver

ARHAUS[®]

your home

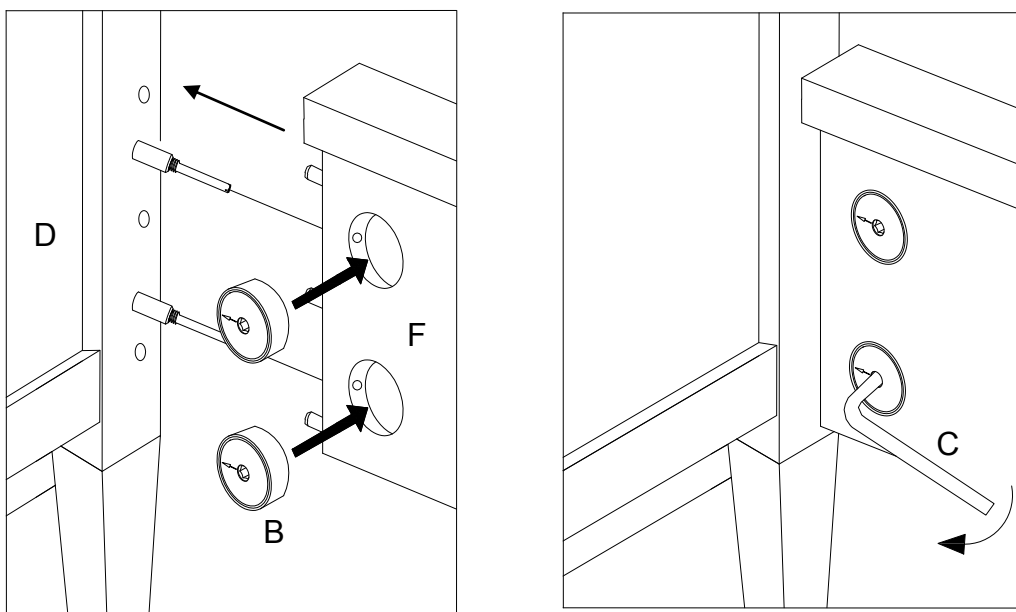
Step 1:

- With your hand, screw the shorter side of the Bolt (A) into the center slot on the Headboard by rotating the bolt in clockwise rotation until get tight(D).



Step 2:

- Install the cam lock with the arrow facing the bolt. Slide the Side Rail (F) into the Headboard (D) with the cam lock and Wood Support Rails (G) holders facing inward. Tighten the cam lock with the Allen Key (C) in clockwise rotation until it get tight and repeat this process on all 4 corners.

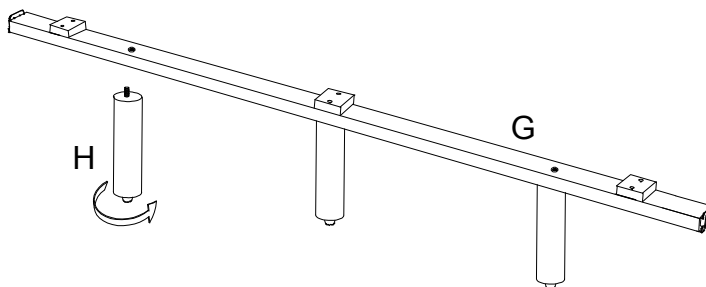


ARHAUS[®]

your home

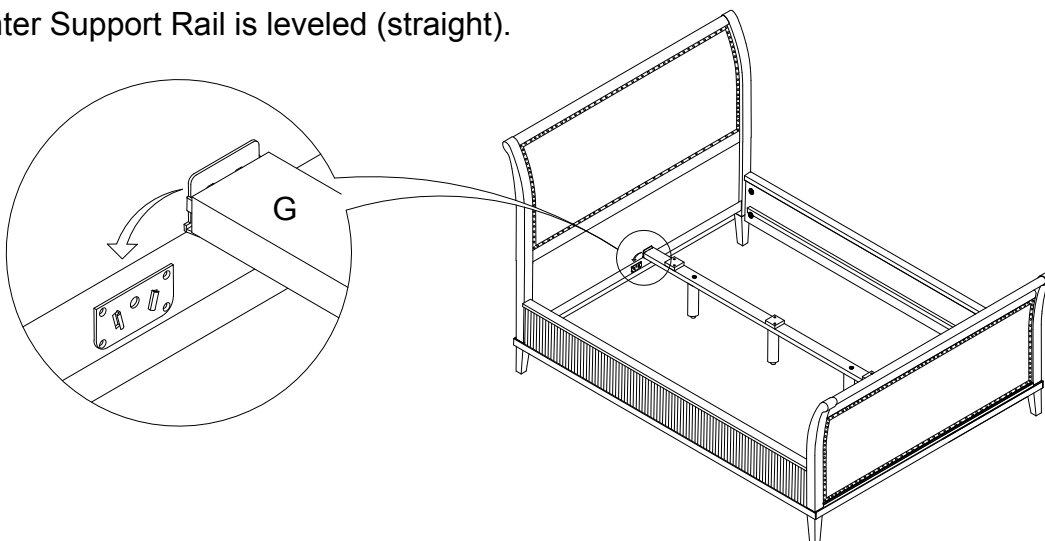
Step 3:

- Assemble Center Support Legs (H) to the Center Supports Rail (G) by turning clockwise the exposed threads on top of the legs to the insert nut on the Center Supports Rail.



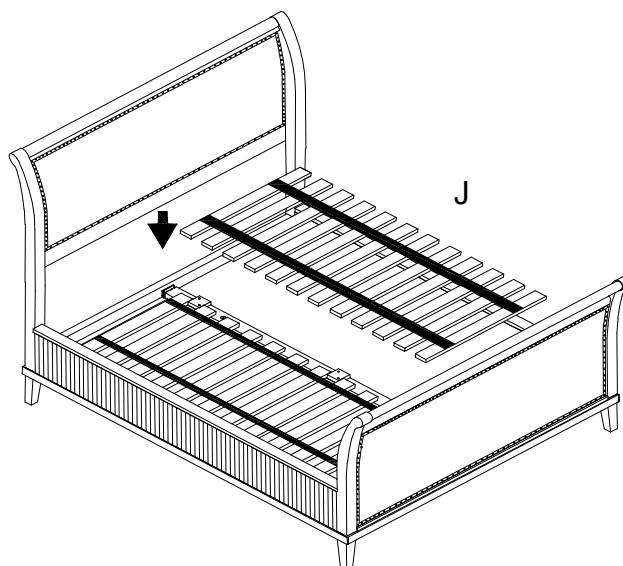
Step 4:

- Attach the Center Support Rail (G) to the Headboard (D) & Footboard (E) by locking in the hooks. Push down firmly. Adjust the levelers on the bottom of the support legs to ensure the Center Support Rail is leveled (straight).



Step 5:

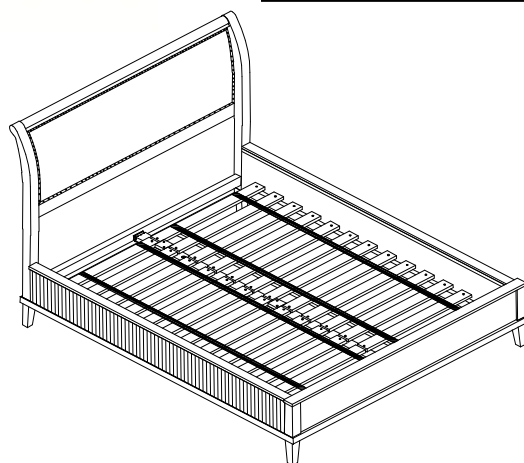
- Lay the Slat Rolls (I) on top of the Supports with strap facing up.


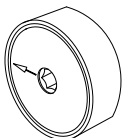
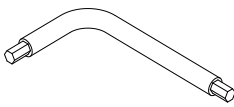


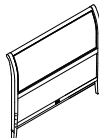
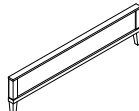
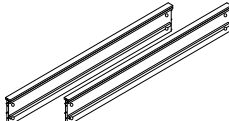
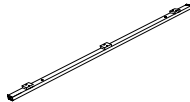

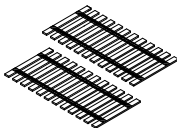
ARHAUS®

your home

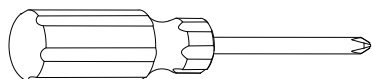
ASSEMBLY INSTRUCTION PEARSON BED UPH L



Ltr.	Qty.	Hardware Included
A	8	 Bolts
B	8	 CAM LOCK
C	1	 Allen Key

Ltr.	Qty.	Part List
D	1	 Headboard
E	1	 Footboard
F	2	 Side Rail
G	1	 Center Support Rail
H	3	 Center Supports Leg
I	2	 Slat Rolls

Tools Not Included:



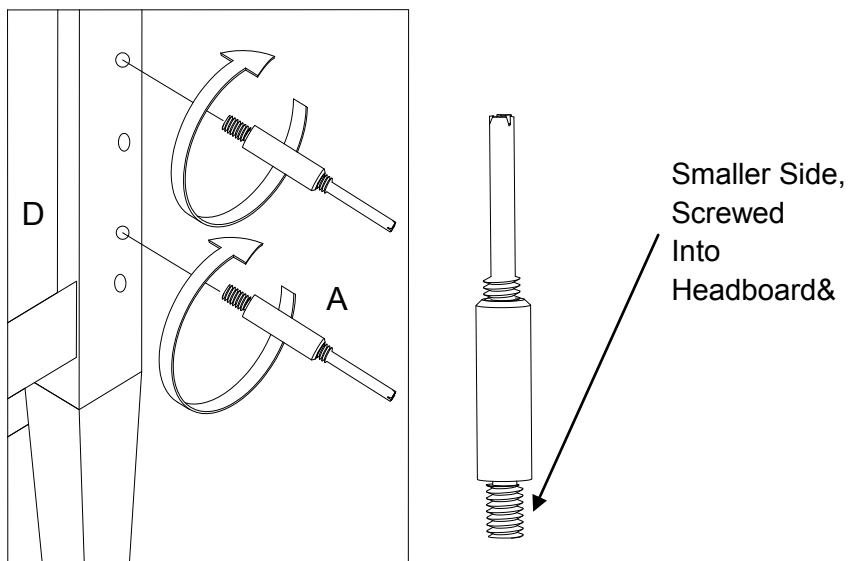
Screwdriver

ARHAUS[®]

your home

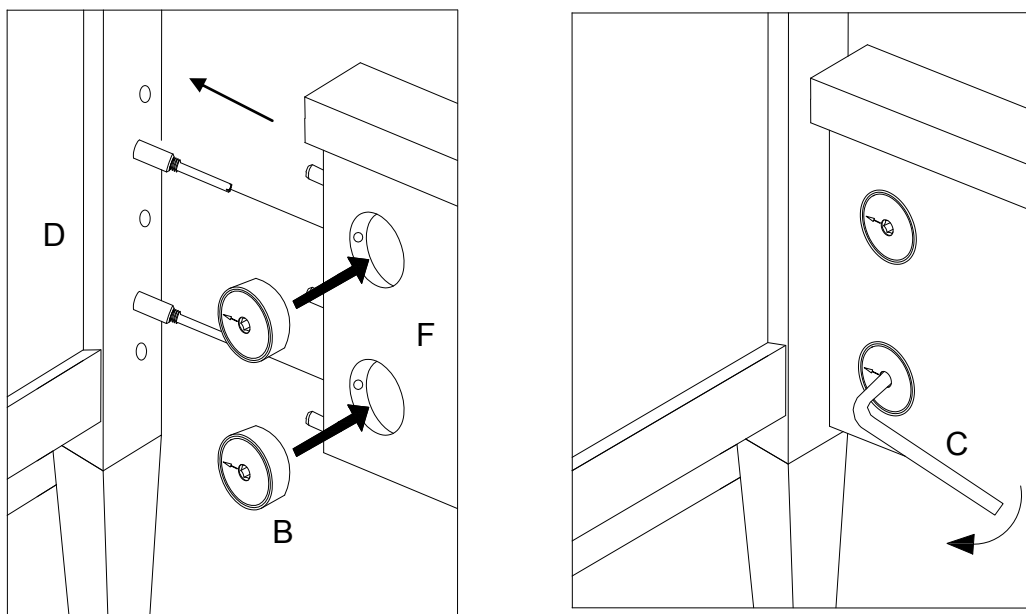
Step 1:

- With your hand, screw the shorter side of the Bolt (A) into the center slot on the Headboard by rotating the bolt in clockwise rotation until get tight(D).



Step 2:

- Install the cam lock with the arrow facing the bolt. Slide the Side Rail (F) into the Headboard (D) with the cam lock and Wood Support Rails (G) holders facing inward. Tighten the cam lock with the Allen Key (C) in clockwise rotation until it get tight and repeat this process on all 4 corners.

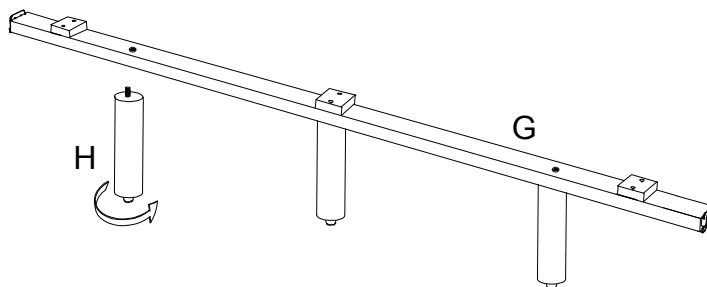


ARHAUS[®]

your home

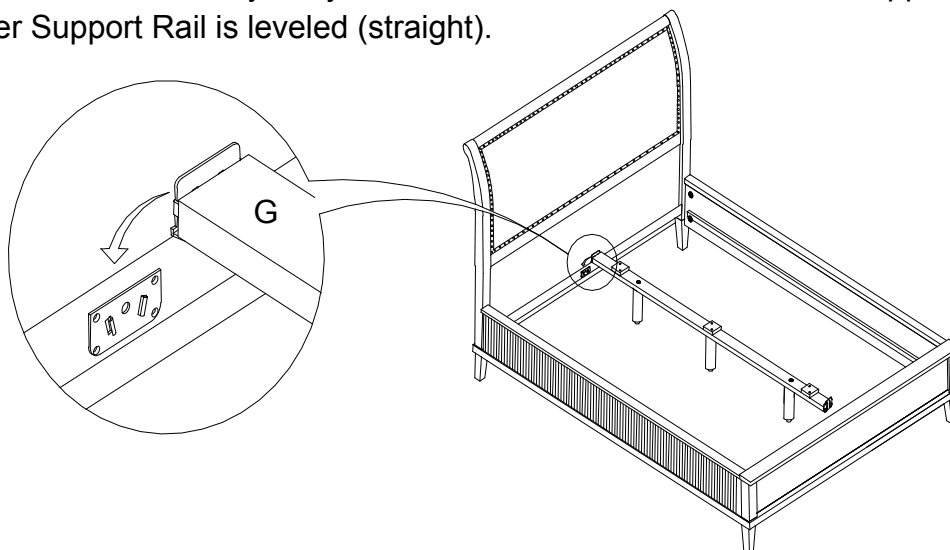
Step 3:

- Assemble Center Support Legs (H) to the Center Supports Rail (G) by turning clockwise the exposed threads on top of the legs to the insert nut on the Center Supports Rail.



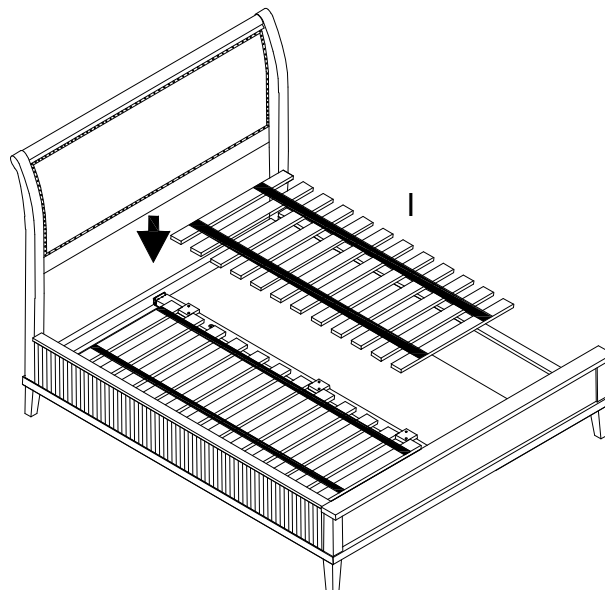
Step 4:

- Attach the Center Support Rail (G) to the Headboard (D) & Footboard (E) by locking in the hooks. Push down firmly. Adjust the levelers on the bottom of the support legs to ensure the Center Support Rail is leveled (straight).



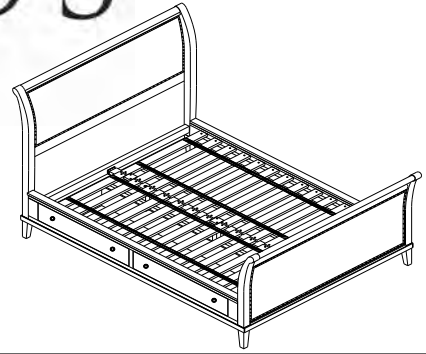
Step 5:

- Lay the Slat Rolls (I) on top of the Supports with strap facing up.



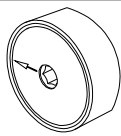




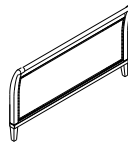
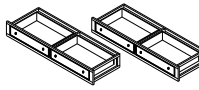
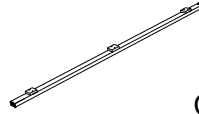
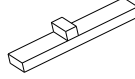
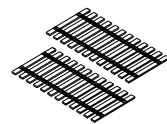

ARHAUS[®]

your home

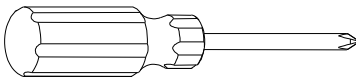


ASSEMBLY INSTRUCTION PEARSON STORAGE KING BED

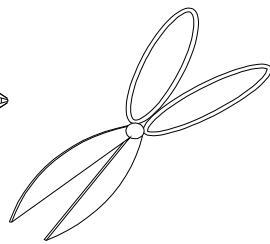
Ltr	Qty	Hardware Included
A	12	 Wood Screws
B	8	 Bolts
C	8	 Cam Lock
D	1	 Allen Key

Ltr	Qty	Part List
E	1	 Headboard
F	1	 Footboard
G	2	 Storage Side Rail
H	1	 Center Support Rail
I	6	 Storage Support Legs
J	2	 Slat Rolls
K	3	 Center Supports Leg

Tools Not Included:



Screwdriver



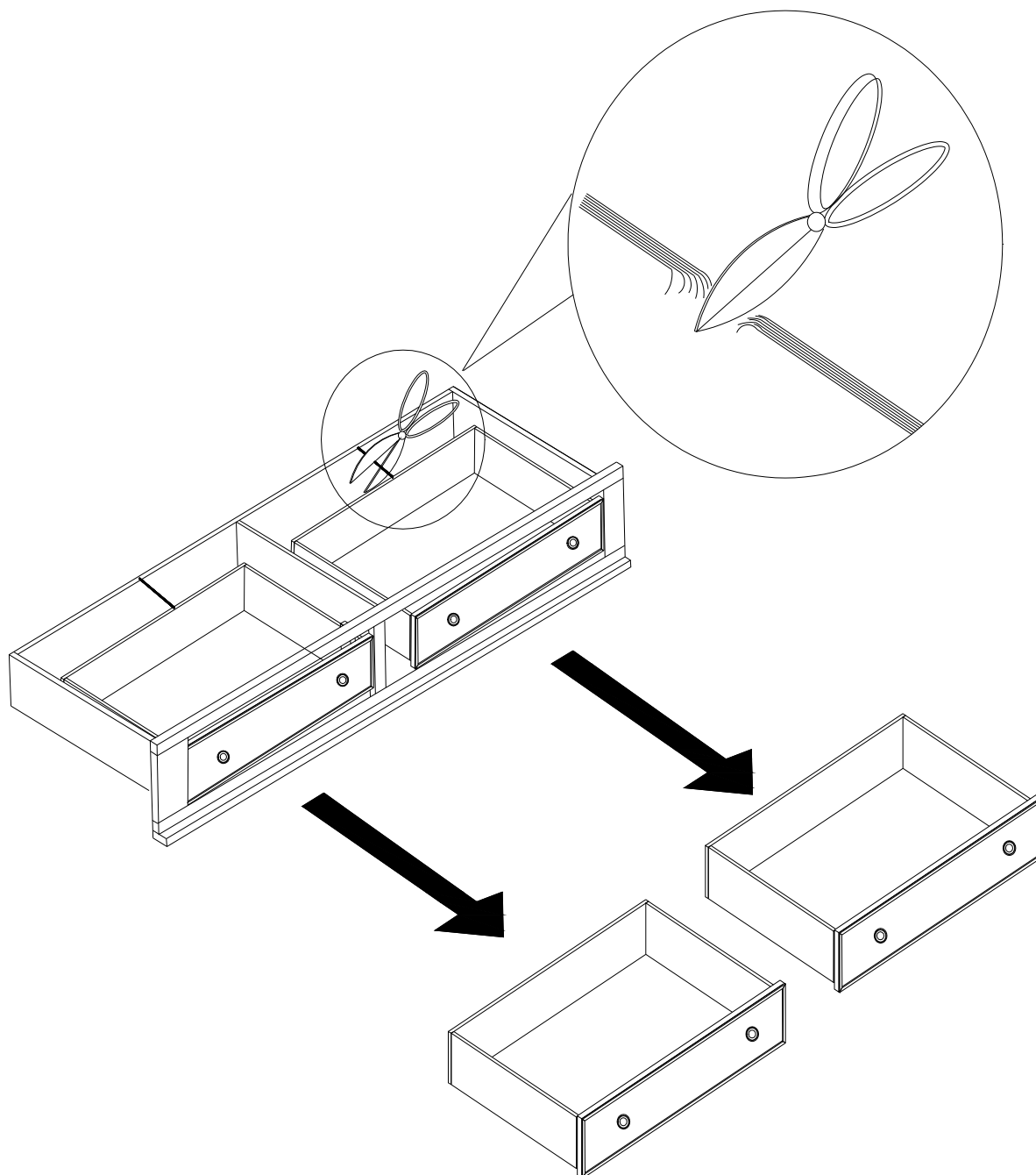
Scissor

ARHAUS[®]

your home

Step 1:

- Cut the strap using scissor and release the drawers.

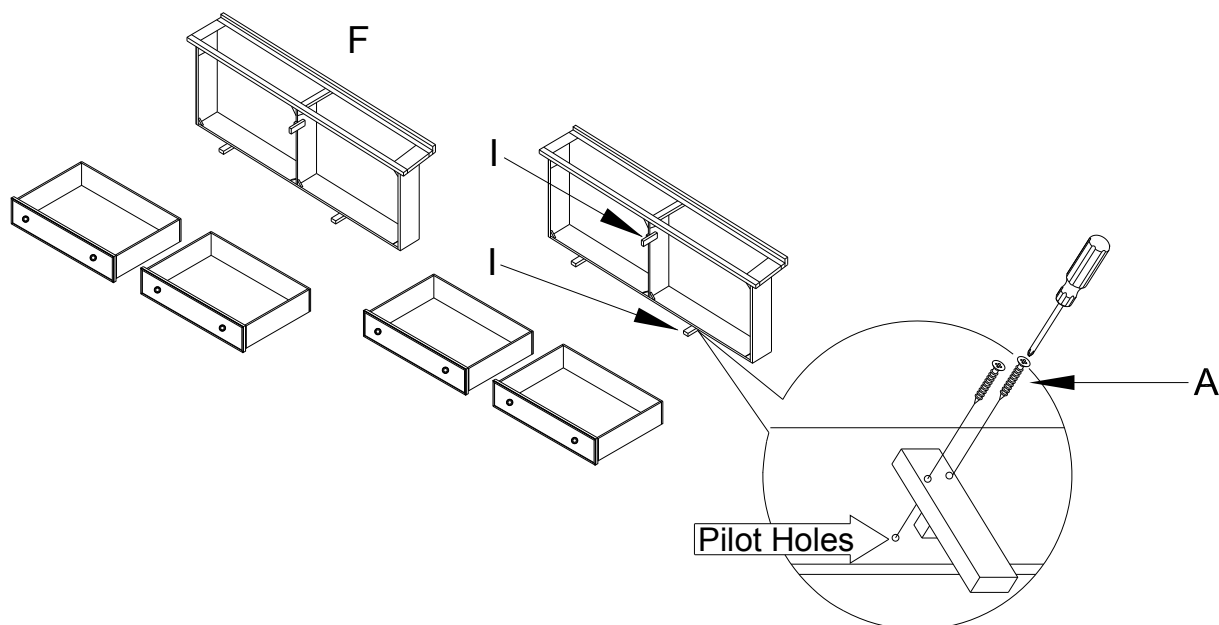


ARHAUS[®]

your home

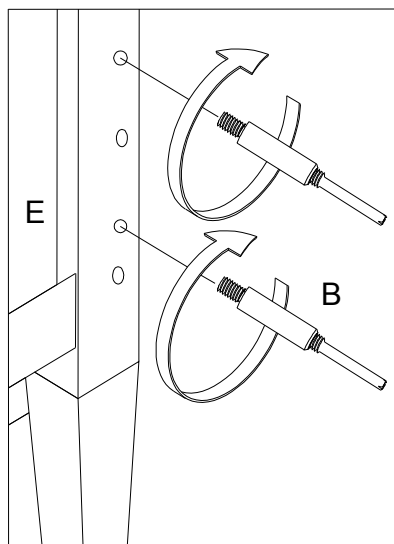
Step 2:

- Install the Support Rail into the back frame and center panel by finding the pilot holes provided.



Step 3:

- With your hand, screw the shorter side of the Bolt (B) into the center slot on the Headboard (E) and Footboard (F) by rotating the bolt in clockwise rotation until get tight.

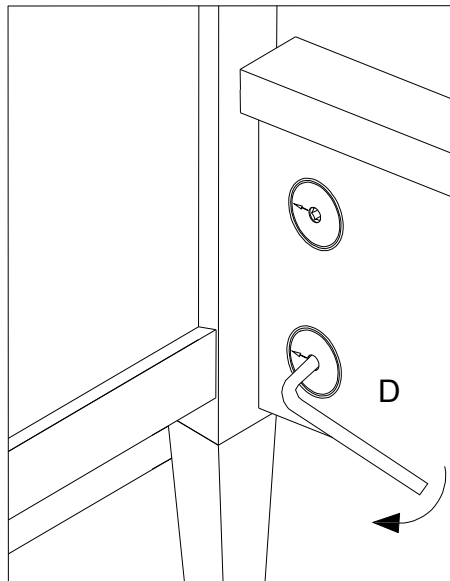
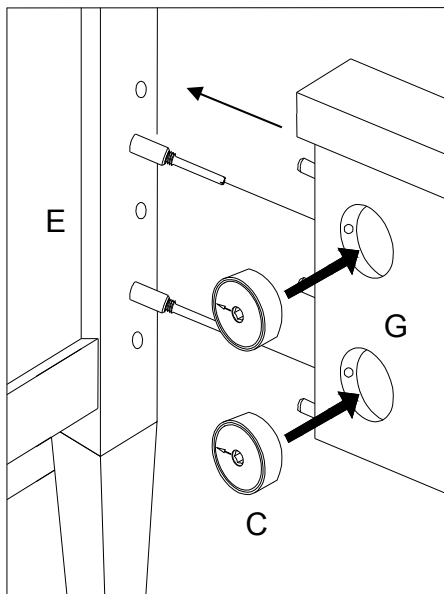


Smaller Side,
Screwed
Into
Headboard &
Footboard

ARHAUS[®]

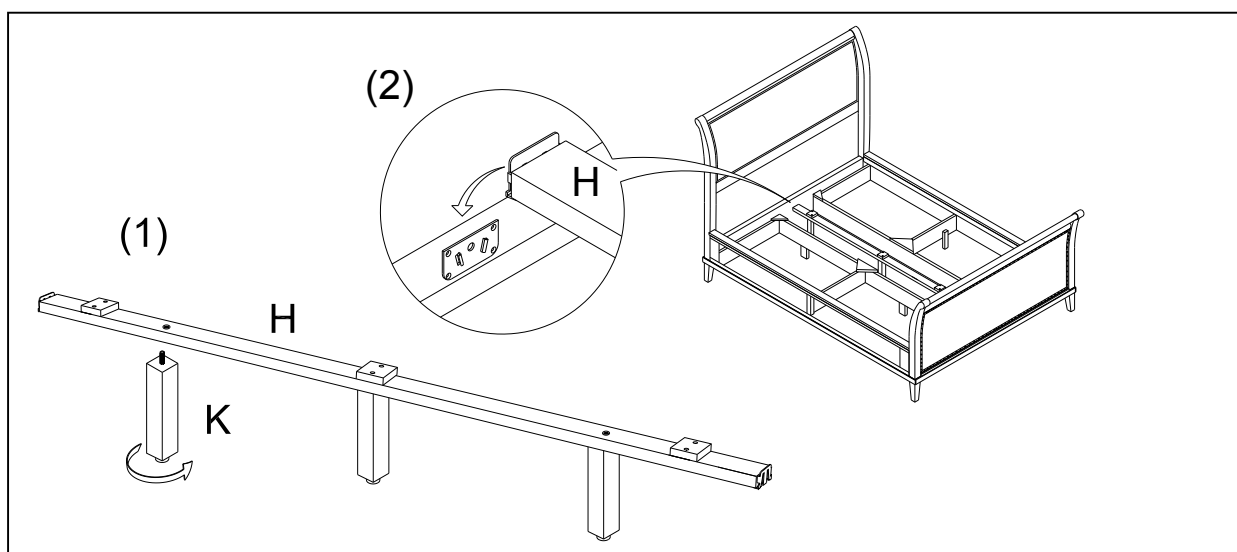
your home

- Install the cam lock with the arrow facing the bolt. Slide the Side Rail (G) into the Headboard (E) with the cam lock and Wood Support Rails (H) holders facing inward. Tighten the cam lock with the Allen Key (D) in clockwise rotation until it get tight and repeat this process on all 4 corners.



Step 4:

- **(1)** Assemble Center Support Legs (K) to the Center Supports Rail (H) by turning clockwise the exposed threads on top of the legs to the insert nut on the Center Supports Rail.
- **(2)** Attach the Center Support Rail (H) to the Headboard (E) & Footboard (F) by locking in the hooks. Push down firmly. Adjust the levelers on the bottom of the support legs to ensure the Center Support Rail is leveled (straight).

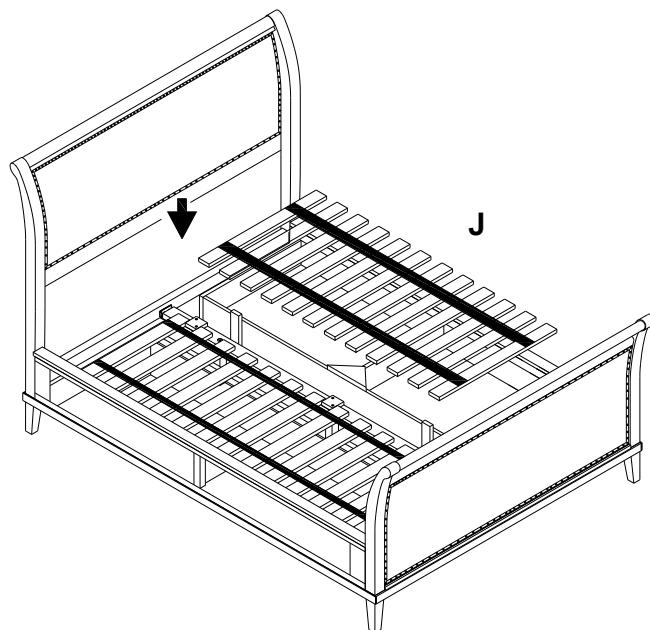


ARHAUS[®]

your home

Step 5:

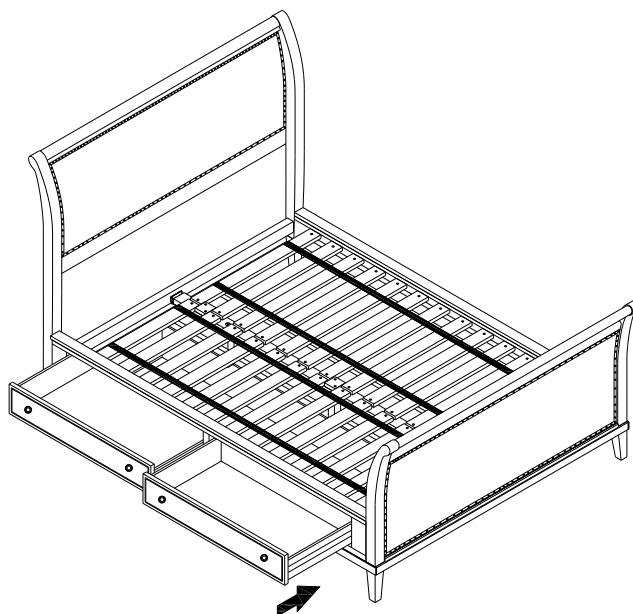
- Lay the Slat Rolls (J) on top of the Storage with strap facing up.



Step 5:

- Insert the Drawers into the Storage Side Rails.

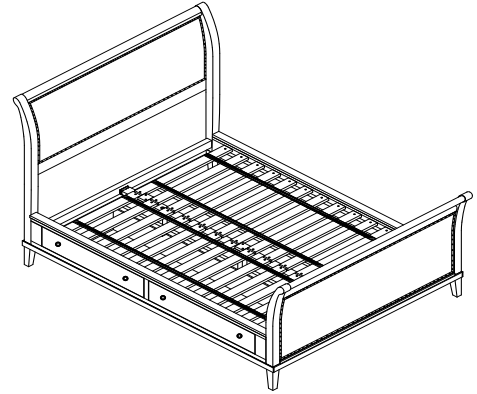
(Assembly is complete)

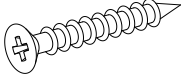

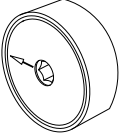



ARHAUS[®]

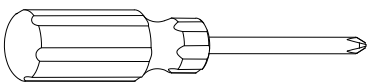
your home

ASSEMBLY INSTRUCTION PEARSON STORAGE QUEEN BED

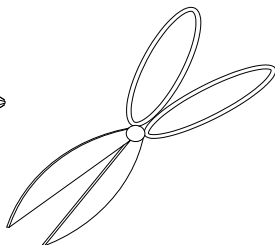


Ltr.	Qty.	Hardware Included
A	12	 Wood Screws
B	8	 Bolts
C	8	 CAM LOCK
D	1	 Allen Key



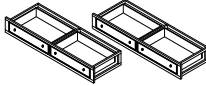
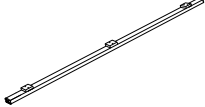
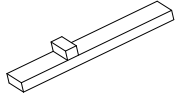
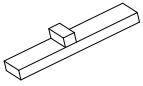
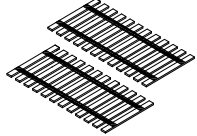
Tools Not Included:



Screwdriver



Scissor

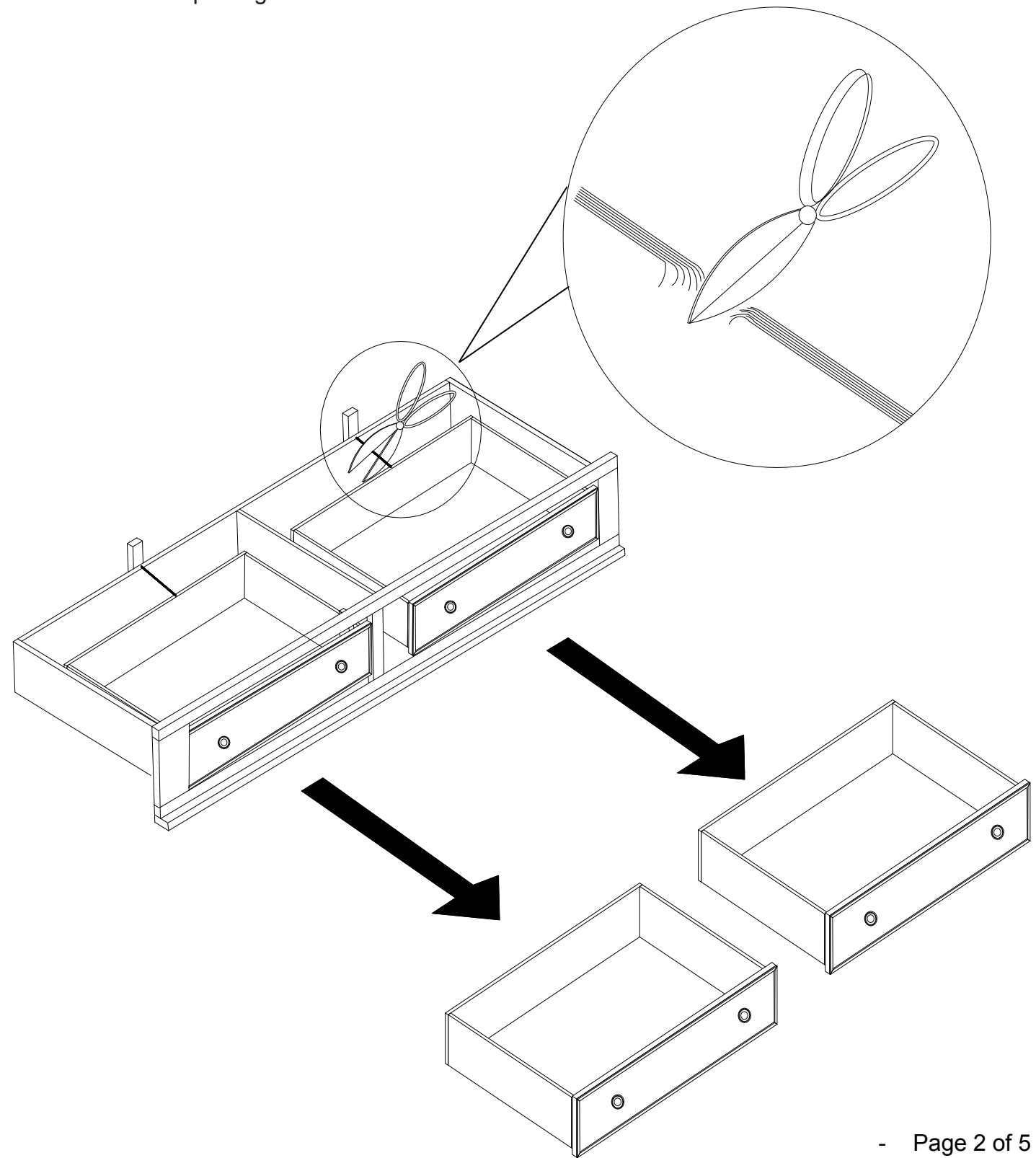
Ltr.	Qty.	Part List
E	1	 Headboard
F	1	 Footboard
G	2	 Storage Side Rail
H	1	 Center Support Rail
I	4	 Long Storage Support Legs
J	2	 Short Storage Support Legs
K	2	 Slat Rolls

ARHAUS[®]

your home

Step 1:

- Cut the strap using scissor and release the drawers.

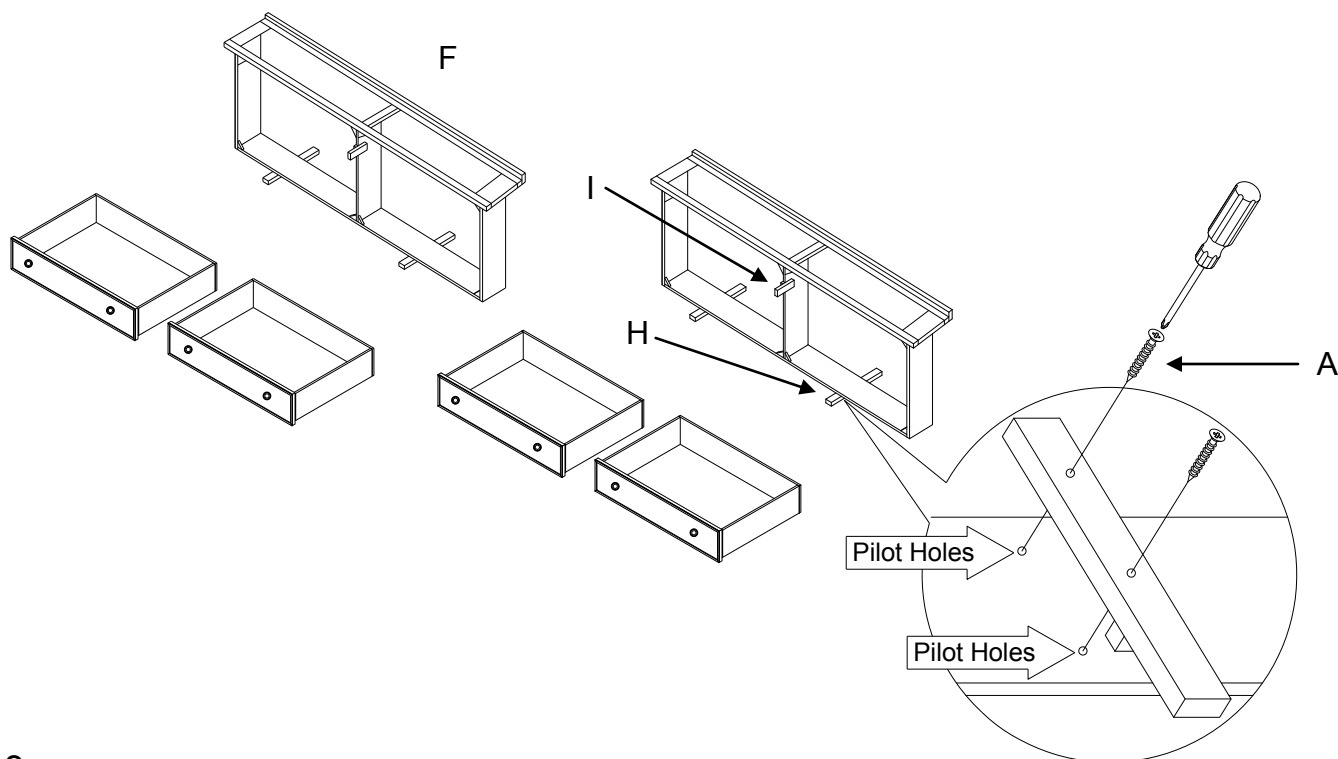


ARHAUS®

your home

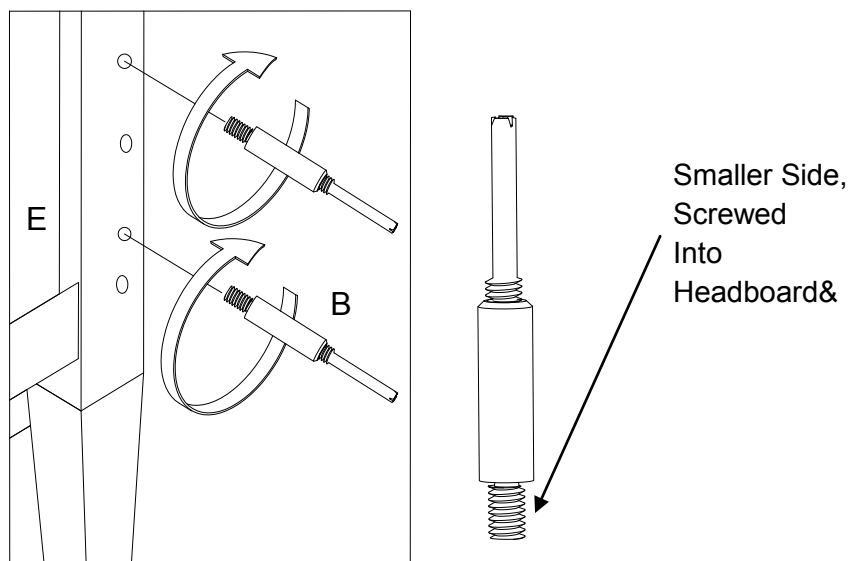
Step 2:

- Install the H (Long Support Rail) into the back frame of where the drawers would fit in by the pilot holes provided.
- Install the I (Short Support Rail) on the center panel by finding the pilot holes provided.



Step 3:

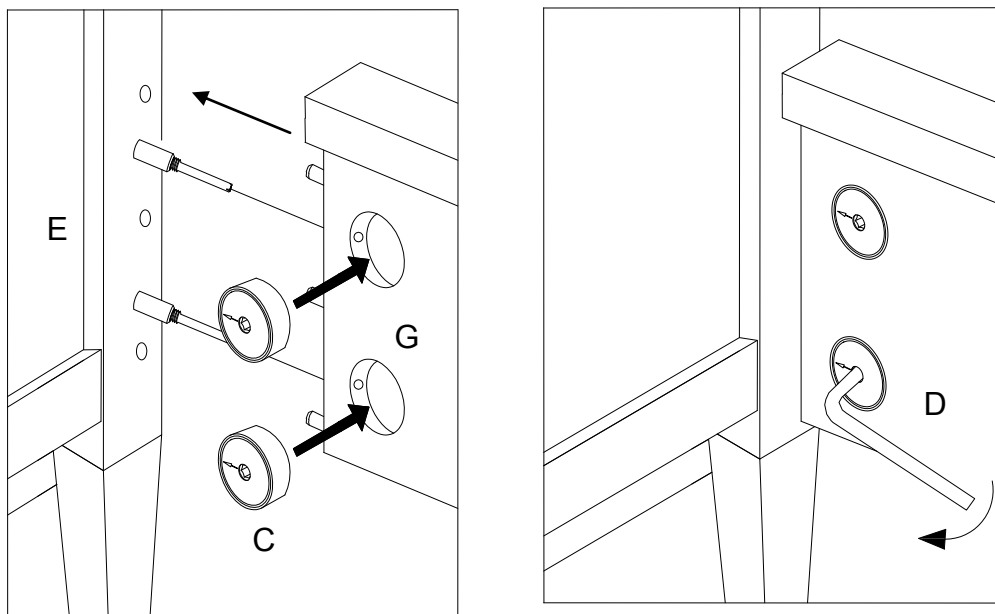
- With your hand, screw the shorter side of the Bolt (B) into the center slot on the Headboard by rotating the bolt in clockwise rotation until get tight(E).



ARHAUS[®]

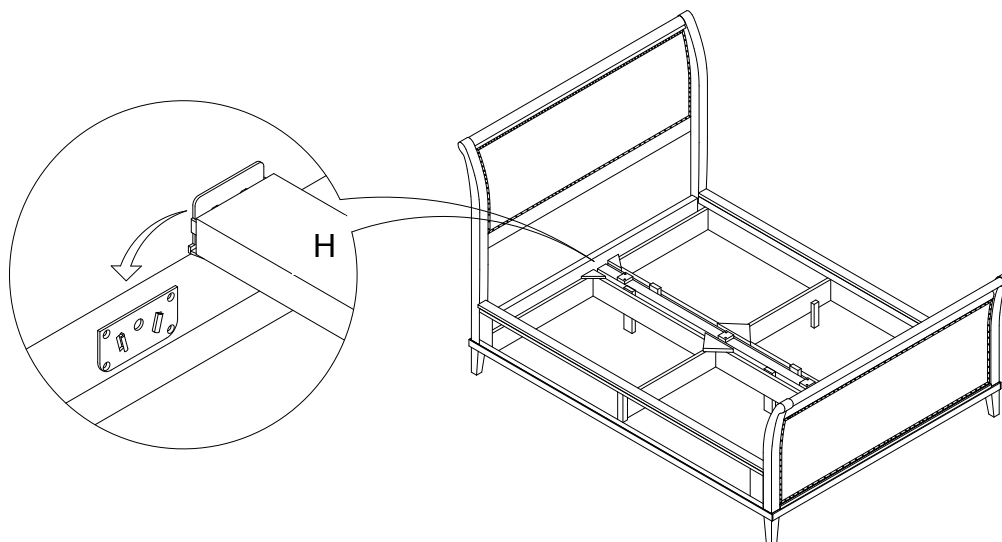
your home

- Install the cam lock with the arrow facing the bolt. Slide the Side Rail (G) into the Headboard (E) with the cam lock and Wood Support Rails (H) holders facing inward. Tighten the cam lock with the Allen Key (D) in clockwise rotation until it get tight and repeat this process on all 4 corners.



Step 4:

- Attach the Center Support Rail (H) to the Headboard (E) & Footboard (F) by locking in the hooks. Push down firmly. Adjust the levelers on the bottom of the support legs to ensure the Center Support Rail is leveled (straight).

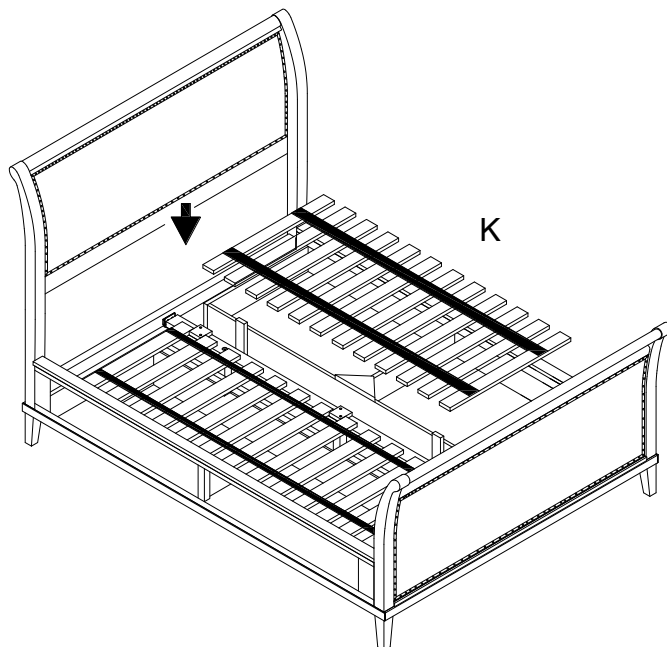


ARHAUS[®]

your home

Step 5:

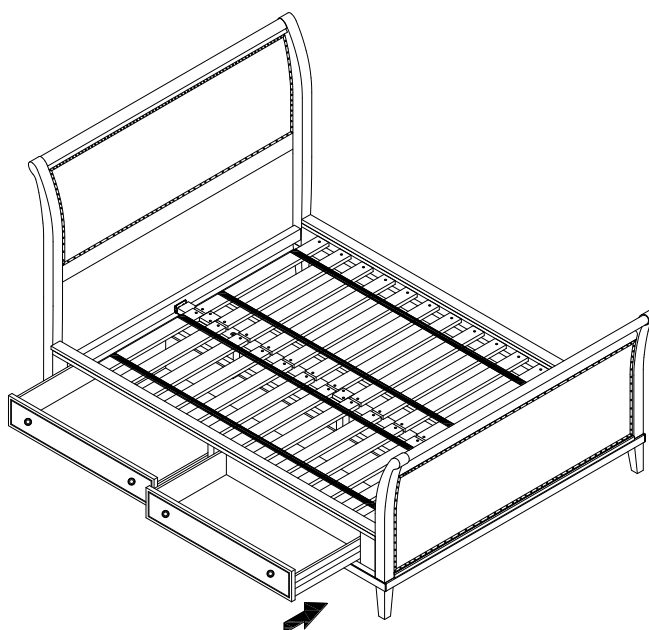
- Lay the Slat Rolls (K) on top of the Storage with strap facing up.



Step 5:

- Insert the Drawers into the Storage Side Rails.

(Assembly is complete)



BEDROOM PARTS SKUS

Super Category	Product ID	Description	Collection	Route
BEDROOM	91PEARKNOB	PEARSON KNOB	PT-PEARSON	
BEDROOM	91PEARLGKNOB	PEARSON LARGE KNOB - ANTIQUE BASTIAN BROWN FINISH ONLY	PT-PEARSON	
BEDROOM	91PEARLGKNBN	PEARSON LARGE KNOB - NICKEL NATURAL, STRATUS & FOG	PT-PEARSON	
BEDROOM	91PEARSMKNOB	PEARSON SMALL KNOB - ANTIQUE BASTIAN BROWN FINISH ONLY	PT-PEARSON	
BEDROOM	91PEARSMKNBN	PEARSON SMALL KNOB - NICKEL NATURAL, STRATUS & FOG	PT-PEARSON	

ARHAUS®

your home

percy



1-Drawer Nightstand
20" w x 17" d x 26" h
Graphite 45PERCY1DNT
Nickel 45PERCYN1DNT



2-Drawer Nightstand
20" w x 17" d x 26" h
Graphite 45PERCY2DNT
Nickel 45PERCYN2DNT



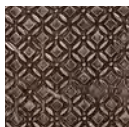
3-Drawer Chest
36" w x 18" d x 34" h
Graphite 45PERCY3DC
Nickel 45PERCYNK3DC



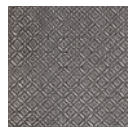
Tall Dresser
36" w x 18" d x 50.25" h
Graphite 45PERCYTD
Nickel 45PERCYNKTD



Wide 6-Drawer Dresser
63" w x 18" d x 34" h
Graphite 45PERCYW6D
Nickel 45PERCYNKW6D

Finish:

Graphite



Nickel

boldly elegant

Featuring a smaller silhouette to accommodate smaller spaces, our striking Percy Bedroom Collection's transitional style will complement and elevate your space with statement-making case pieces. Aluminum sheets are pressed with intricately patterned blocks to create the delicate detailing featured on the surfaces of this elegant bedroom collection. Each piece is completed with an antiqued metallic finish, which is caught in the pressed pattern to make it stand out, adding a touch of glamour.

product details

- ▶ Handcrafted by artisans, aluminum sheets are pressed with patterned blocks to create intricate designs on each surface.
- ▶ Graphite finishes feature an antiqued patina with bronze undertones and a soft lacquer coat for added protection.
- ▶ Nickel finishes are antiqued, allowing the metallic tones to show through, and then lacquered for added protection.
- ▶ Due to the hand-applied nature of finishes, patinas may vary slightly from piece to piece, making each individual truly unique.
- ▶ Case frames are constructed using engineered hardwood, which allows for the aluminum to gracefully adhere to the tops, sides, and drawer fronts while avoiding swelling and cracking.
- ▶ Keep your furniture looking its best. Visit arhaus.com or speak to any Arhaus Design Consultant for care recommendations.



BEDROOM PARTS SKUS

Super Category	Product ID	Description	Collection	Route
BEDROOM	91PERCYGKNOB	PERCY GRAPHITE KNOB 1 PACK = 2 KNOBS	PT-PERCY	
BEDROOM	91PERCYKNOB	PERCY KNOB - GRAPHITE FINISH KNOB FOR PERCY GRAPHITE	PT-PERCY	PART
BEDROOM	91PERCYNKNOB	PERCY NICKEL DRAWER KNOB 1 PACK = 2 KNOBS	PT-PERCY	

ARHAUS®

your home

portier



Nightstand
24" w x 19" d x 32.25" h
45PORTNTKKT



6-Drawer Dresser
72" w x 22.5" d x 40" h
45PORT6DRKT



5-Drawer Dresser
42.5" w x 19" d x 58.25" h
45PORT5DRKT



4-Drawer Chest
44" w x 19" d x 36" h
45PORT4DRKT



Mirror
52" w x 1.5" d x 44" h
45PORTMIR

coastal-cottage styling

Craftsman-built using solid white oak and accentuated by hand-finished oak veneers, our Portier Bedroom Collection is elegantly carved with curved fronts and topped with artisan-sculpted bluestone. Antiqued brass hardware adorns weathered, hand-stained surfaces with a Cerused Natural Oak finish, designed to emphasize the wood's natural grain and subtle color variations. Each beautiful and durable piece is designed with everyday function in mind, featuring a sturdy, reinforced frame constructed to last. Drawers are thoughtfully mounted onto soft-close glides.

product details

- ▶ Craftsman-built frames are constructed from solid oak and oak veneers.
- ▶ Frames are reinforced for added strength and stability.
- ▶ Case pieces are topped with artisan-sculpted bluestone.
- ▶ Multilayered Cerused Natural Oak finishes are wire-brushed and glazed for a subtle sheen.
- ▶ Surfaces are lacquered for added protection.
- ▶ Brass hardware is finished with an antiqued finish.
- ▶ Drawers feature full-extension, under-mounted, soft-close glides
- ▶ Nightstands are equipped with charging outlets in the back of each top drawer.
- ▶ Mirrors are fitted with beveled glass. Hanging hardware is included.
- ▶ This collection is artisan-crafted from natural materials with hand-applied finishes. Individual pieces may vary in color, pattern, shape, and texture, making each truly unique.
- ▶ Natural wood may display small splits, knots, joint lines, or other organic features that will not affect the quality or performance of your piece.
- ▶ Furniture made from natural wood may move slightly due to temperature and humidity. This is normal and should be expected from season to season.
- ▶ Keep your furniture looking its best. Visit arhaus.com or speak to any Arhaus Design Consultant for care recommendations.



BEDROOM PARTS SKUS

Super Category	Product ID	Description	Collection	Route
BEDROOM	91PORTGLD14	PORTIER DRAWER GLIDE 14	PT-PORTIER	PART
BEDROOM	91PORTGLD16	PORTIER DRAWER GLIDE 16	PT-PORTIER	PART
BEDROOM	91PORTLG	PORTIER DRAWER PULL - LG	PT-PORTIER	PART
BEDROOM	91PORTSM	PORTIER DRAWER PULL - SM	PT-PORTIER	PART

ARHAUS®

your home

reese

**Nightstand**

24" w x 20" d x 28" h

Antique Mirrored 45REESEMNT2
 Galleria Blush 45REESE1DNT2
 Galleria Grey 45REESEG1DNT2

**2-Drawer Nightstand**

24" w x 20" d x 28" h

Antique Mirrored 45REESEMNT
 Galleria Blush 45REESENT
 Galleria Grey 45REESEGNT

**3-Drawer Chest**

42" w x 20" d x 33" h

Antique Mirrored 45REESEM3D2
 Galleria Blush 45REESE3D2
 Galleria Grey 45REESEG3D2

**Tall Dresser**

42" w x 20" d x 49" h

Antique Mirrored 45REESEMTD2
 Galleria Blush 45REESETD2
 Galleria Grey 45REESEGTD2

**Wide Dresser**

72" w x 20" d x 36" h

Antique Mirrored 45REESEMWD2
 Galleria Blush 45REESEWD2
 Galleria Grey 45REESEGWD2

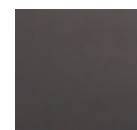
**Jewelry Chest**

20" w x 14.25" d x 46.25" h

Antique Mirrored 45REESEMJC
 Galleria Blush 45REESEBJC
 Galleria Grey 45REESEGJC

Finishes:Antique
Mirrored

Galleria Blush



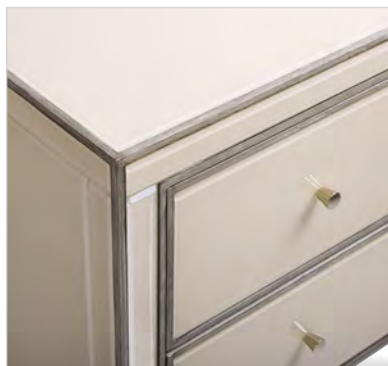
Galleria Grey

vintage-inspired glamour

Art deco aesthetics and 1920s' architecture inspire our marvelous Reese Collection. Craftsman-built to bring glamour and modern fantasy to your bedroom, these boudoir favorites feature beveled glass framed in solid parawood and tulip veneers ornamented with artfully sculpted detailing. Each surface is finished by artisans with an antiqued mirrored patina or a reverse-painted finish—created using traditional 19th century techniques to impart a subtle yet chic effect. Durable case frames are accentuated by tapered legs, elegant trim, and midcentury-inspired hardware for an eclectically vintage touch.

product details

- ▶ Case frames are craftsman-built from solid, sustainably sourced parawood, engineered hardwood, and tulip wood veneers.
- ▶ Glass surfaces feature beveled glass panels to achieve a jewel-like appearance and provide contrast in texture.
- ▶ Artfully antiqued mirrored finishes are hand-applied to create a rustic-chic appearance.
- ▶ Galleria-finished surfaces feature glass that has been reverse-painted using 19th century techniques to achieve soft yet beautiful tones.
- ▶ Wood surfaces are lacquered for added protection and a subtle satin sheen.
- ▶ Drawers are accented with antiqued, silver-finished drawer pulls and sit on side-mounted metal glides.
- ▶ Keep your furniture looking its best. Visit arhaus.com or speak to any Arhaus Design Consultant for care recommendations.



45REESEM1DNT
45REESE1DNT
45REESEG1DNT

ASSEMBLING INSTRUCTION

REESE MİRRORED / BLUSH / GREY 1DR NIGHTSTAND

CARE INSTRUCTIONS:

- Dust often using a clean, soft, dry lint-free cloth.
- Blot spills immediately, and wipe with a clean, damp cloth.
- For glass surface, clean with glass or mirror cleaner and a soft cloth. Never use a scouring pad.
- Take care not to use any glass/ mirror cleaning product on a wooden surface.

TOOLS NEEDED

Phillips head screwdriver (not provided)

HARDWARE LIST

A = Pan Head Machine Screw



1 Pc

B = Plastic Washer



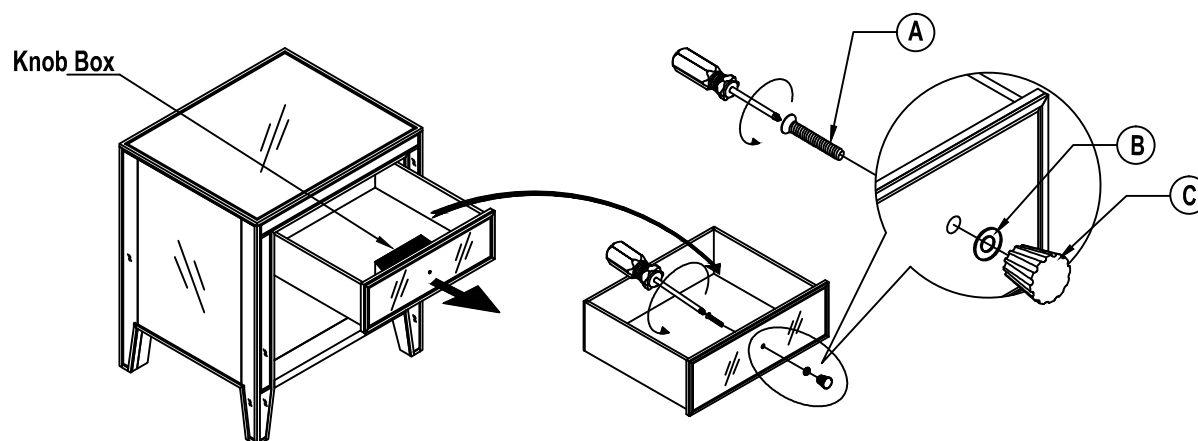
1 Pc

H = Knob



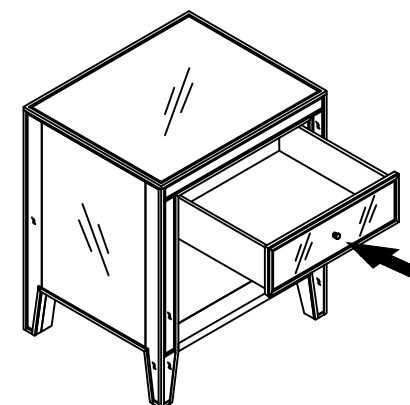
1 Pc

1



CAUTION: Over tightening hardware can cause cracking.

2



45REESEM3D
45REESE3D
45REESEG3D

ASSEMBLING INSTRUCTION

REESE MİRRORED/ BLUSH / GREY 3 DRAWER CHEST

CARE INSTRUCTIONS:

- Dust often using a clean, soft, dry lint-free cloth.
- Blot spills immediately, and wipe with a clean, damp cloth.
- For glass surface, clean with glass or mirror cleaner and a soft cloth. Never use a scouring pad.
- Take care not to use any glass/ mirror cleaning product on a wooden surface.

TOOLS NEEDED

Phillips head screwdriver (not provided)

HARDWARE LIST

A = Plastic brackets



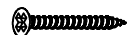
4 Pcs

B = Restraint straps



2 Pcs

C = Phillips screws M4x30mm



4 Pcs

D = Phillips screws M4x20mm



4 Pcs

E = Plastic anchors



4 Pcs

F = Pan Head Machine Screw



6 Pcs

G = Plastic Washer



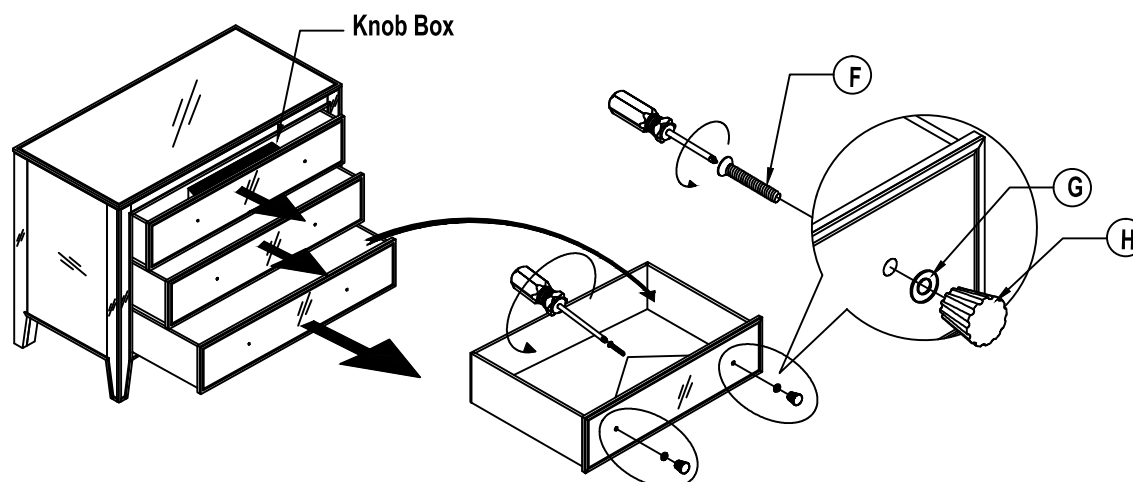
6 Pcs

H = Knob



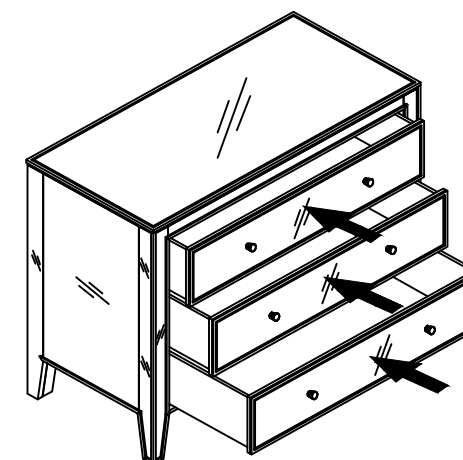
6 Pcs

1



CAUTION: Over tightening hardware can cause cracking.

2

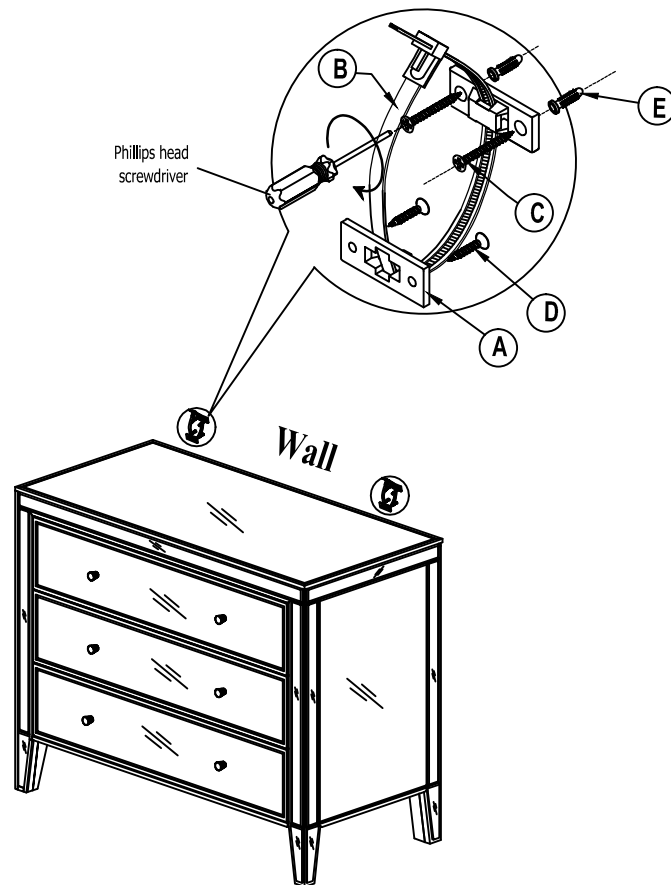


45REESEM3D
45REESE3D
45REESEG3D

ASSEMBLING INSTRUCTION

REESE MİRRORED/ BLUSH / GREY 3 DRAWER CHEST

3



1. Attach one of the mounting brackets near the top back edge of the furniture piece by inserting the shorter screws.
2. Determine the final position of the furniture piece. Mark location on the wall pproximately 2" below the bracket mounted to the back of the furniture.
3. Drill a starter hole into the wall stud. If wall stud is not available, drill a hole into the wall and insert plastic anchor. Gently tap the anchor until the flange of the anchor is flush with the wall.
4. Attach the second bracket by inserting the longer screw through the bracket and into the wall.
5. Place the furniture so the bracket on the back edge is in line with the bracket on the wall.
6. Lace one end of the nylon restraint strap down through each bracket. Bring both ends together and slide the beaded end until it snap locks into the keyhole slot.
7. To double lock, return the beaded end back through the keyholes as shown.
8. Check to make sure the strap is securely laced and locked to the brackets.

45REESEMJC
45REESEBJC
45REESEGJC

ASSEMBLING INSTRUCTION

REESE MİRRORED/ BLUSH/ GREY JEWELRY CHEST

CARE INSTRUCTIONS:

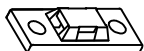
- Dust often using a clean, soft, dry lint-free cloth.
- Blot spills immediately, and wipe with a clean, damp cloth.
- For glass surface, clean with glass or mirror cleaner and a soft cloth. Never use a scouring pad.
- Take care not to use any glass/ mirror cleaning product on a wooden surface.

TOOLS NEEDED

Phillips head screwdriver (not provided)

HARDWARE LIST

A = Plastic brackets



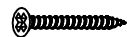
4 Pcs

B = Restraint straps



2 Pcs

C = Phillips screws M4x30mm



4 Pcs

D = Phillips screws M4x20mm



4 Pcs

E = Plastic anchors



4 Pcs

F = Pan Head Machine Screw



5 Pcs

G = Plastic Washer



5 Pcs

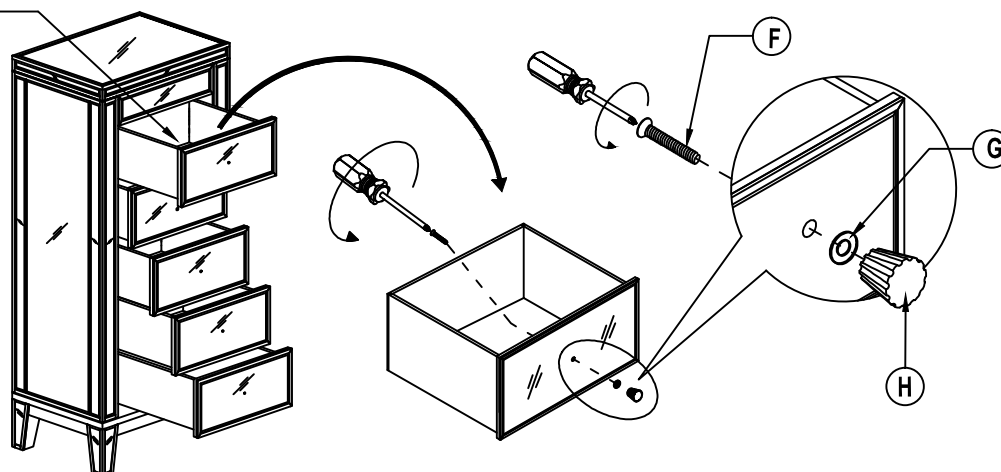
H = Knob



5 Pcs

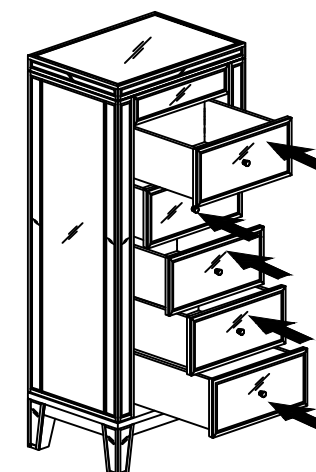
1

Knob Box



CAUTION: Over tightening hardware can cause cracking.

2

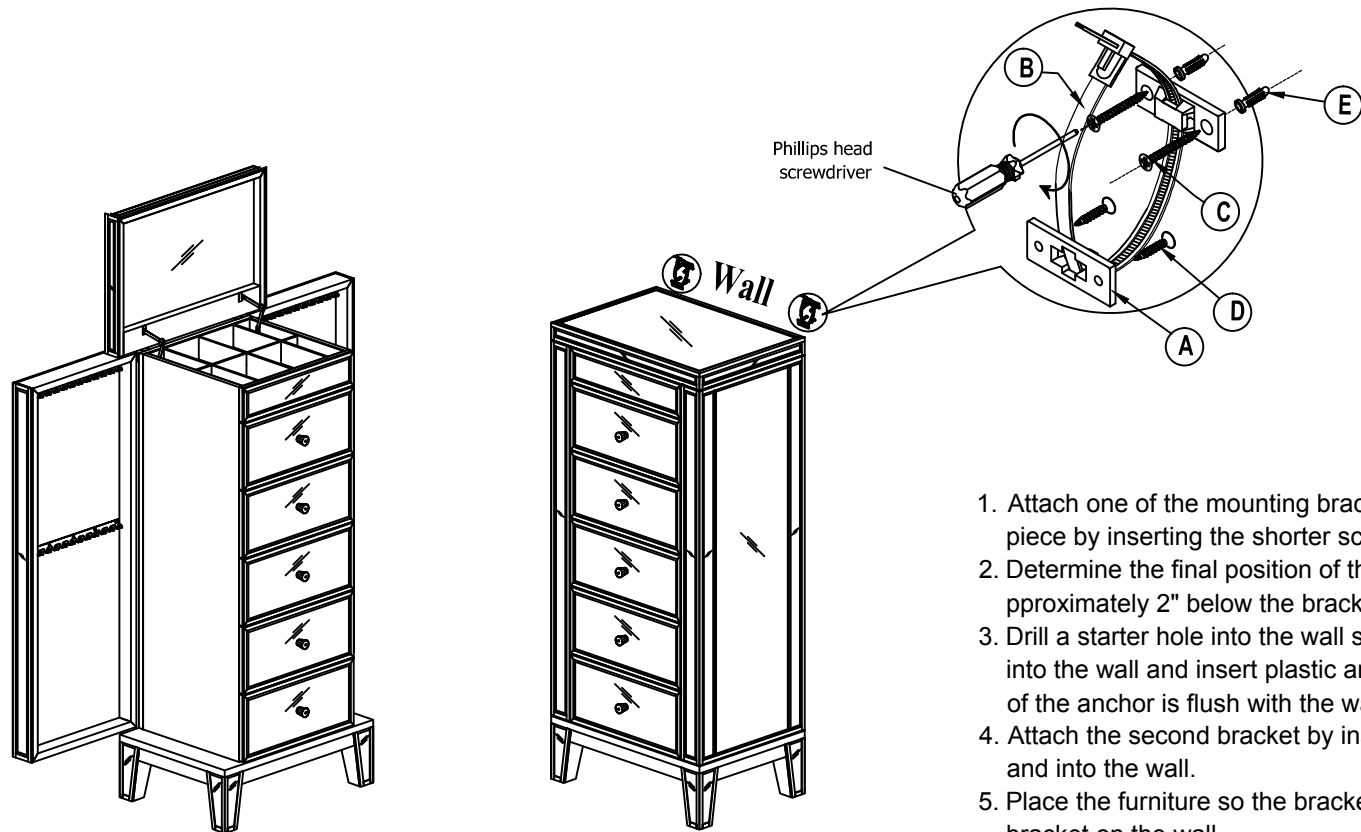


45REESEMJC
45REESEBJC
45REESEGJC

ASSEMBLING INSTRUCTION

REESE MİRRORED/ BLUSH/ GREY JEWELRY CHEST

3



1. Attach one of the mounting brackets near the top back edge of the furniture piece by inserting the shorter screws.
2. Determine the final position of the furniture piece. Mark location on the wall pproximately 2" below the bracket mounted to the back of the furniture.
3. Drill a starter hole into the wall stud. If wall stud is not available, drill a hole into the wall and insert plastic anchor. Gently tap the anchor until the flange of the anchor is flush with the wall.
4. Attach the second bracket by inserting the longer screw through the bracket and into the wall.
5. Place the furniture so the bracket on the back edge is in line with the bracket on the wall.
6. Lace one end of the nylon restraint strap down through each bracket. Bring both ends together and slide the beaded end until it snap locks into the keyhole slot.
7. To double lock, return the beaded end back through the keyholes as shown.
8. Check to make sure the strap is securely laced and locked to the brackets.

**45REESEMNT
45REESENT**

ASSEMBLING INSTRUCTION REESE MIRRORED/ BLUSH NIGHTSTAND

CARE INSTRUCTIONS:

- Dust often using a clean, soft, dry lint-free cloth.
- Blot spills immediately, and wipe with a clean, damp cloth.
- For glass surface, clean with glass or mirror cleaner and a soft cloth. Never use a scouring pad.
- Take care not to use any glass/ mirror cleaning product on a wooden surface.

TOOLS NEEDED

Phillips head screwdriver (not provided)

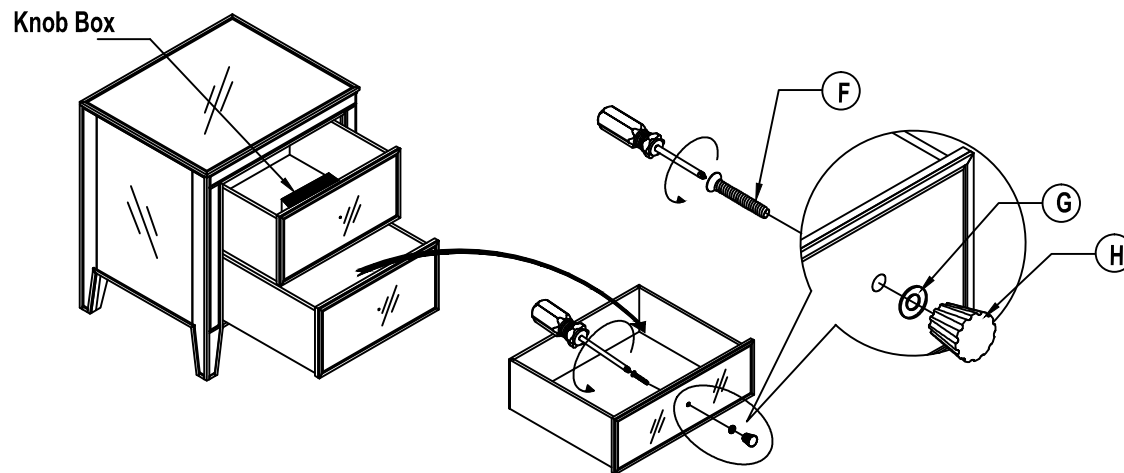
HARDWARE LIST

A = Pan Head Machine Screw  1 Pc

B = Plastic Washer  2 Pcs

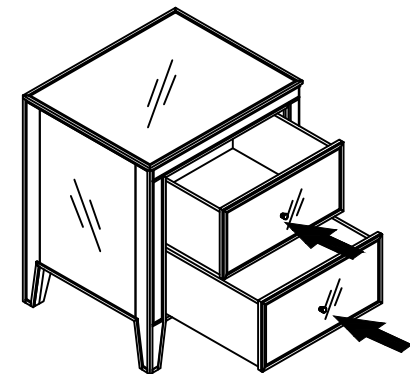
H = Knob  2 Pcs

1



CAUTION: Over tightening hardware can cause cracking.

2



**45REESEMTD
45REESETD
45REESEGTD**

**ASSEMBLING INSTRUCTION
REESE MIRRORED/ BLUSH / GREY TALL DRESSER**

CARE INSTRUCTIONS:

- Dust often using a clean, soft, dry lint-free cloth.
- Blot spills immediately, and wipe with a clean, damp cloth.
- For glass surface, clean with glass or mirror cleaner and a soft cloth. Never use a scouring pad.
- Take care not to use any glass/ mirror cleaning product on a wooden surface.

TOOLS NEEDED

Phillips head screwdriver (not provided)

HARDWARE LIST

A = Plastic brackets



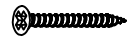
4 Pcs

B = Restraint straps



2 Pcs

C = Phillips screws M4x30mm



4 Pcs

D = Phillips screws M4x20mm



4 Pcs

E = Plastic anchors



4 Pcs

F = Pan Head Machine Screw



10 Pcs

G = Plastic Washer



10 Pcs

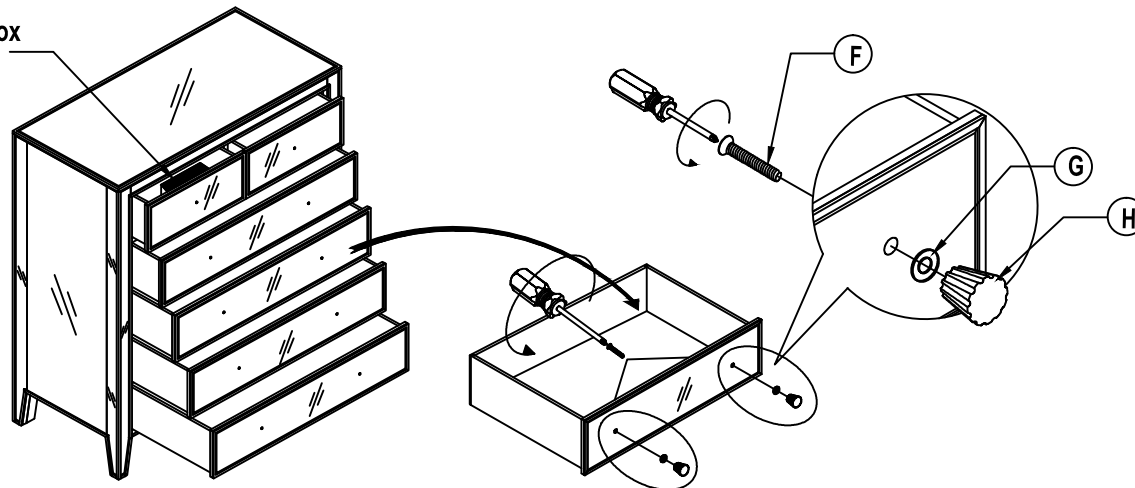
H = Knob



10 Pcs

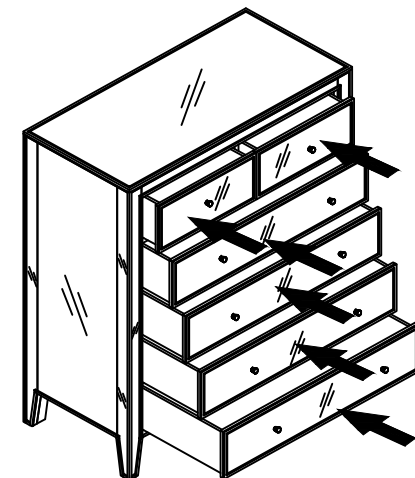
1

Knob Box



CAUTION: Over tightening hardware can cause cracking.

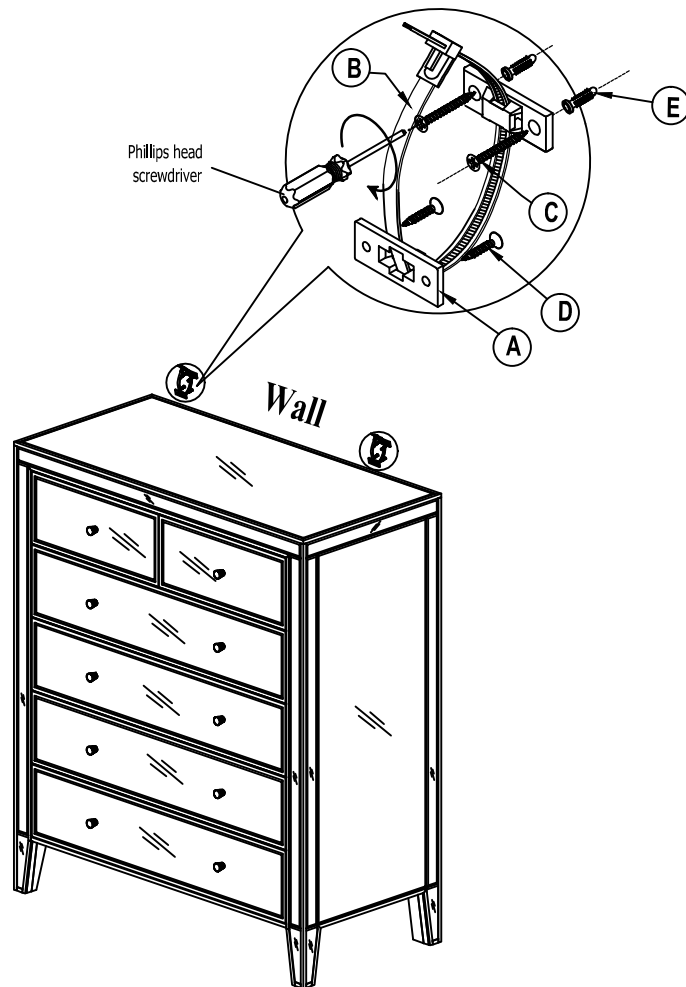
2



45REESEMTD
45REESETD
45REESEGTD

ASSEMBLING INSTRUCTION REESE MIRRORED/ BLUSH / GREY TALL DRESSER

3



1. Attach one of the mounting brackets near the top back edge of the furniture piece by inserting the shorter screws.
2. Determine the final position of the furniture piece. Mark location on the wall pproximately 2" below the bracket mounted to the back of the furniture.
3. Drill a starter hole into the wall stud. If wall stud is not available, drill a hole into the wall and insert plastic anchor. Gently tap the anchor until the flange of the anchor is flush with the wall.
4. Attach the second bracket by inserting the longer screw through the bracket and into the wall.
5. Place the furniture so the bracket on the back edge is in line with the bracket on the wall.
6. Lace one end of the nylon restraint strap down through each bracket. Bring both ends together and slide the beaded end until it snap locks into the keyhole slot.
7. To double lock, return the beaded end back through the keyholes as shown.
8. Check to make sure the strap is securely laced and locked to the brackets.

45REESEMWD
45REESEWD
45REESEGWD

ASSEMBLING INSTRUCTION

REESE MIRRORED/ BLUSH / GREY WIDE DRESSER

CARE INSTRUCTIONS:

- Dust often using a clean, soft, dry lint-free cloth.
- Blot spills immediately, and wipe with a clean, damp cloth.
- For glass surface, clean with glass or mirror cleaner and a soft cloth. Never use a scouring pad.
- Take care not to use any glass/ mirror cleaning product on a wooden surface.

TOOLS NEEDED

Phillips head screwdriver (not provided)

HARDWARE LIST

A = Plastic brackets



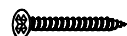
4 Pcs

B = Restraint straps



2 Pcs

C = Phillips screws M4x30mm



4 Pcs

D = Phillips screws M4x20mm



4 Pcs

E = Plastic anchors



4 Pcs

F = Pan Head Machine Screw



12 Pcs

G = Plastic Washer



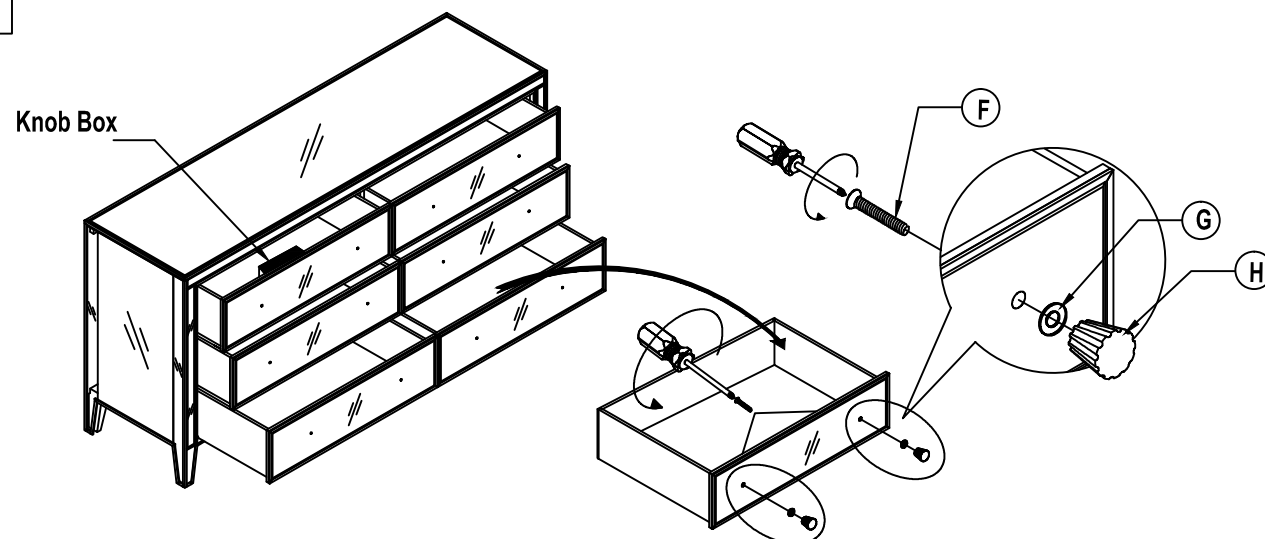
12 Pcs

H = Knob



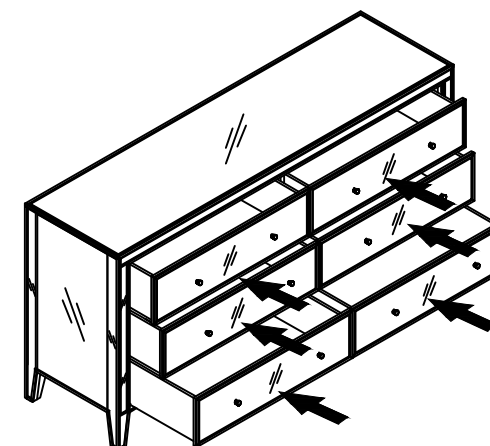
12 Pcs

1



CAUTION: Over tightening hardware can cause cracking.

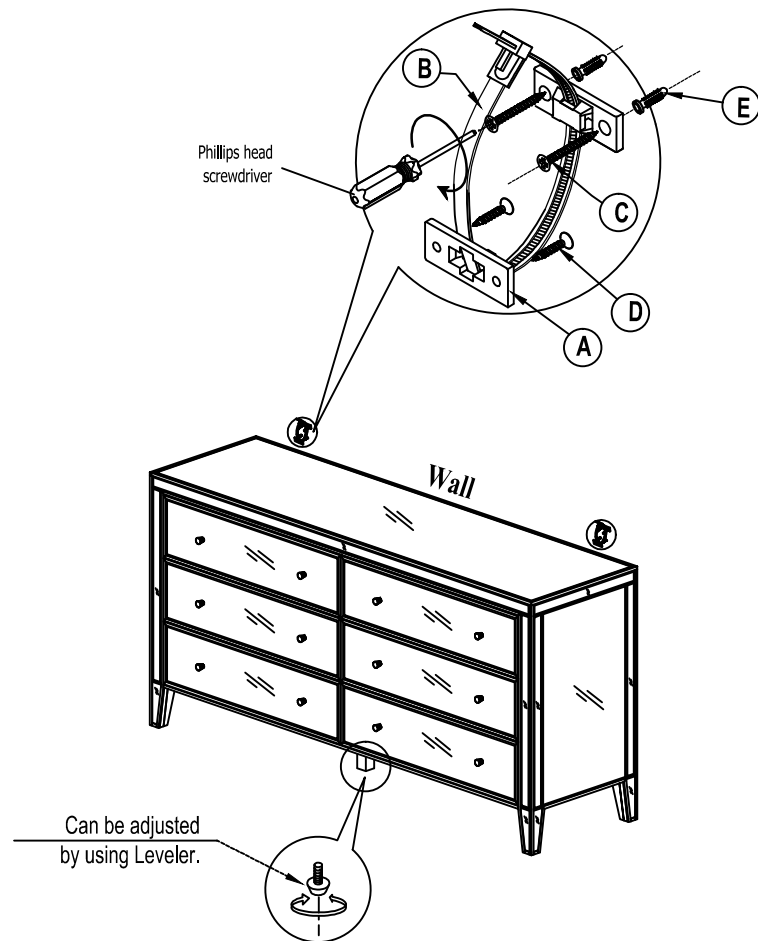
2



45REESEMWD
45REESEWD
45REESEGWD

ASSEMBLING INSTRUCTION REESE MIRRORED/ BLUSH / GREY WIDE DRESSER

3



1. Attach one of the mounting brackets near the top back edge of the furniture piece by inserting the shorter screws.
2. Determine the final position of the furniture piece. Mark location on the wall pproximately 2" below the bracket mounted to the back of the furniture.
3. Drill a starter hole into the wall stud. If wall stud is not available, drill a hole into the wall and insert plastic anchor. Gently tap the anchor until the flange of the anchor is flush with the wall.
4. Attach the second bracket by inserting the longer screw through the bracket and into the wall.
5. Place the furniture so the bracket on the back edge is in line with the bracket on the wall.
6. Lace one end of the nylon restraint strap down through each bracket. Bring both ends together and slide the beaded end until it snap locks into the keyhole slot.
7. To double lock, return the beaded end back through the keyholes as shown.
8. Check to make sure the strap is securely laced and locked to the brackets.

BEDROOM PARTS SKUS

Super Category	Product ID	Description	Collection	Route
BEDROOM	91REESANTITP	REESE ANTI TIP KIT	PT-REESE	PART
BEDROOM	91REESE12INCH	REESE DRAWER GLIDE 12	PT-REESE	PART
BEDROOM	91REESE14INCH	REESE DRAWER GLIDE 14	PT-REESE	PART
BEDROOM	45REEESDK	REESE DSK ASSEMBLY HDW	PT-REESE	PART
BEDROOM	91REESESH	REESE JWLRY CHST HINGE SD DR SIDE DOOR HINGE	PT-REESE	PART
BEDROOM	91REESELH	REESE JWLRY CHST HINGE TOP PNL LONG TOP PANEL HINGE	PT-REESE	PART
BEDROOM	91REESEJCHK	REESE JWLRY CHST HOOK NECK	PT-REESE	PART
BEDROOM	91REESESUPRT	REESE JWLRY SPRING TENSION ARM METAL	PT-REESE	PART
BEDROOM	91REESEKNOB	REESE KNOB NT, DRESSERS AND JEWEL CHEST	PT-REESE	PART
BEDROOM	91REESEKNOB2	REESE KNOB DESK AND 3D CABINET	PT-REESE	PART
BEDROOM	91REESEWASHR	REESE PLASTIC WASHER 50 MOO	PT-REESE	PART
BEDROOM	91REESMFRTGL	WIDE DRSR FRNT TOP GLASS MIRR ANTIQUE MIRROR	PT-REESE	PART

DISCONTINUED

ARHAUS®

your home

rondure



Nightstand
28" w x 20" d x 28" h
45RONDNT



6-Drawer Dresser
72" w x 22.5" d x 37.25" h
45ROND6DRW



Tall Chest
36.5" w x 22.5" d x 50.5" h
45RONDTC

contemporary Amish-made case pieces

Handcrafted in the heart of Ohio by dedicated Amish furniture artisans, this contemporary Bedroom Collection's sleek design is meticulously sculpted using time-honored woodworking techniques. Stunning walnut case pieces are shaped with smooth surfaces, softly curved edges, and floating panel tops; then finished to accentuate the wood's natural color and grain. Accented by solid brass handles, drawers are built with solid ash sides and sit on self-closing undermounted glides. Simple, legs are enhanced with self-adjusting feet to ensure a level placement.

product details

- ▶ Handcrafted by Amish artisans using time-honored woodworking techniques, floating-panel tops, case frames, and drawer fronts are made from solid walnut.
- ▶ Side and back panels are formed with walnut veneers to ensure smooth surfaces.
- ▶ A light clear-coat varnish is applied for added protection and to enhance the natural appearance of the walnut surfaces.
- ▶ Drawer interiors are made from ash and birch wood.
- ▶ Drawers are mounted on self-closing undermounted glides.
- ▶ Solid brass hardware accentuates drawer fronts.
- ▶ Feet are adjustable to ensure level placement.

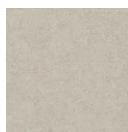
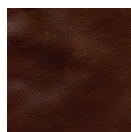
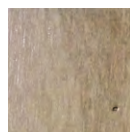


DISCONTINUED**ARHAUS®**

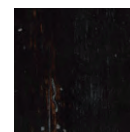
your home

rue

Bench
22" w x 18" d x 18"h
Weathered 45RUEWB
Rubbed Black 45RUEBB

Fabric:Linen
Natural**Leather:**Chaps
Havana**Finishes:**

Weathered

Rubbed
Black**practical luxury**

Add comfortable, classically styled accent seating to your bedroom with our collection of Rue Benches. Craftsman-built from solid oak, sturdy bench frames feature hand-distressed finishes designed to mimic the natural aging of authentic antiques. Generously cushioned seats—upholstered in elegant linen fabric or rich artisan-finished leather—feature dense cores of eco-friendly foam and are stuffed with luxuriously soft down for relaxing, "sink-into" comfort. And, removable seat covers allow for easy fluffing, cushion rotation, and cleaning.

product details

- ▶ Bench frames are hand-carved from solid oak hardwood.
- ▶ Pieces featuring our Weathered finish are upholstered in Linen Natural fabric; while pieces featuring our Rubbed Black finish are upholstered in Chaps Havana leather.
- ▶ Chaps Havana leather develops natural textures and markings with use, creating a unique, antiques appearance.
- ▶ Wood finishes are hand-distressed, to create a naturally aged appearance, and lacquered for added protection and a subtle sheen.
- ▶ Removable seat-cushion cores consist of dense, eco-friendly foam made partly from sustainable, plant-based material.
- ▶ Arhaus upholstery's eco-friendly foam padding meets all California standards for health and environmental safety.
- ▶ Down padding creates relaxing "sink-into" comfort.
- ▶ Seat cushions feature handy zip closures to allow easy fluffing and rotation.
- ▶ Bench has a maximum weight capacity of 275 lbs.



rue | bedroom collection | made in Asia

Dimensions may vary slightly. Please ensure furnishings fit through interior structures and into desired space before purchase.

DISCONTINUED

ARHAUS®

FURNISHING A BETTER WORLD

**RUSSELL**

bedroom collection

made in INDONESIA

Memories of summers spent on a farm

in central Ohio inspired the Russell Collection. Artisans hand-plane solid oak grown and harvested in America. Each plank varies in size to reflect actual barn doors. Even the hardware on the wardrobe

and bed is an exact replica—castings for the wheels and tracks are inscribed with “Ashland County,” the location of our favorite childhood farm.

NATURAL WOOD

Each piece will have slightly different shading and grain patterns and due to the nature of a multi-layered finish that is hand-applied by our craftsmen, there will be variation from piece to piece. Some small splits may occur, but will only add to the character. Knots and joint lines are a natural property and add interest but without affecting performance. All natural wood will display movement from season to season because of changes in temperature and humidity.

HANDCRAFTED QUALITY

Arhaus furniture is made with great care and attention to detail. Our collections are distinctive, designed to bring pleasure to you in your home for years to come. Each piece is handcrafted, made using traditional skills and techniques, and hand-painted, distressed and finished to ensure each item becomes an heirloom in your home.

RENEWABLE RESOURCES

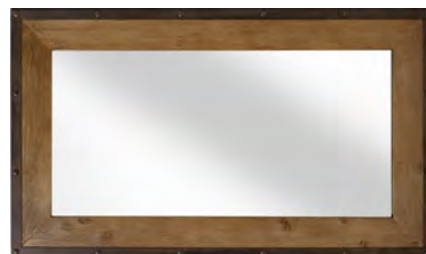
Arhaus is unique in our commitment to preserving natural resources. Our Corporate Rainforest Policy states that we will not sell merchandise made of timber from the world's endangered rainforests. In all cases, the wood was harvested from renewable resources.

All dimensions can vary slightly due to the hand-built nature of our furniture.

DISCONTINUED

ARHAUS®
FURNISHING A BETTER WORLD

Bed



Mirror



6 Drawer Dresser



Wardrobe



2 over 4 Dresser



Nightstand

King Bed 45RUSSKG
82.75" w x 88" d x 74.5" h

Queen Bed 45RUSSQN
66.5" w x 88.25" d x 74.5" h

6 Drawer Dresser 45RUSS6DR
74" w x 22.5" d x 38.25" h

Wardrobe 45RUSSWB
58.75" w x 23" d x 69" h

2 over 4 Dresser 45RUSS24
50" w x 22.5" d x 57.5" h

Nightstand 45RUSSNT
29" w x 20.5" d x 30.25" h

Mirror 45RUSSMR
33.75" w x 1.5" d x 57.75" h

DISCONTINUED**ARHAUS**
FURNISHING A BETTER WORLD

about this collection

- ▶ All pieces are handcrafted of solid oak wood that is grown and harvested in the United States in strict adherence to global environmental policies.
- ▶ Benchmade using mortise-and-tenon assembly, each plank purposefully varies in size to replicate original barn doors.
- ▶ Each solid oak plank is hand-planed, hand-sanded and then layered with several coatings of glaze and light stains to reproduce a weathered oak finish.
- ▶ Artisans apply a matte lacquer topcoat to each piece for extra protection.
- ▶ Due to the nature of the multi-layered finish that is hand-applied by our craftspeople, each piece will have slightly different shading and grain patterns and will vary from piece to piece.
- ▶ Some small splits may occur, but will only add to the piece's character. Knots and joint lines are a natural property and add interest without affecting performance.
- ▶ All natural wood will display movement from season to season because of changes in temperature and humidity.
- ▶ The bed and wardrobe feature a barn door with solid cast iron wheels and hardware finished in a natural rust patina. A final coat of soft lacquer prevents oxidation and staining.
- ▶ Drawers on all case pieces are soft closing.

Bed

- ▶ The unique headboard features a stationary barn door.

Wardrobe

- ▶ The barn door slides to conceal or reveal storage.
- ▶ Features five drawers, two adjustable shelves and a removable clothing bar.

6-Drawer Dresser

- ▶ Six generously sized drawers are finished with simple, cast iron handles.

2 over 4 Dresser

- ▶ Six generously sized drawers are finished with simple, cast iron handles.

Dresser

- ▶ Six generously-sized drawers are finished with a simple, cast iron handle.

Nightstand

- ▶ Features one drawer and a shelf offers extra storage.

Mirror

- ▶ Can be hung vertically or horizontally.
- ▶ Professional installation recommended; please consult a professional before hanging.
- ▶ Weighs 60 lbs.

Mirror

- ▶ Can be hung vertically or horizontally.
- ▶ Professional installation recommended; please consult a professional before hanging.
- ▶ Weighs 60 lbs.

recommended care

- ▶ Spills should be removed immediately with a damp cloth.
- ▶ Dust with a soft, dry cloth. Use Guardsman® Wood Polish periodically.
- ▶ Do not use care products that contain ammonia or silicone as this will cut through the lacquer finish over time and damage your piece.
- ▶ Protect surfaces from hot and/or wet objects with coasters and table pads to preserve the finish and natural characteristics of the wood.
- ▶ Never place hot dishes on this tabletop; we recommend the use of felt-backed tablemats.
- ▶ Prolonged use of hot electrical equipment on top of furniture may also cause scorching.
- ▶ Always avoid exposure to direct sunlight or heat (e.g. by placing it in front of a radiator) as this can cause cracking and potential fading of the wood; a minimum 30 cm clearance from heat sources is advised.
- ▶ Do not drag piece(s) across the floor as this will cause damage or weaken joints.
- ▶ Dropping furniture onto corners or feet will cause damage.
- ▶ Leaning backwards on two legs of a chair may weaken joints.
- ▶ Toys, buckles and heels will scratch furnishings—try to prevent these objects from coming into contact with your piece(s).

BEDROOM PARTS SKUS

Super Category	Product ID	Description	Collection	Route
BEDROOM	91RUSSHANDLE	RUSSELL 6 DRAWER HANDLES	PT-RUSSELL	PART
BEDROOM	91RUSSHW	RUSSELL ASSEMBLY HARDWARE FOR QUEEN AND KING BED	PT-RUSSELL	PART
BEDROOM	91378RUS450	RUSSELL DRAWER RUNNER	PT-RUSSELL	PART
BEDROOM	91378RWSHLF	RUSSELL WDRB SHELF	PT-RUSSELL	PART

ARHAUS®

your home

st. lucia

**King Bed**

77" w x 85" d x 63" h
 Rust 45LUCIAKG2
 Platinum 45LUCIAKGP
 Champagne 45LUCIAKC

Queen Bed

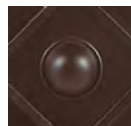
65" w x 85" d x 63" h
 Rust 45LUCIAQN2
 Platinum 45LUCIAQNP
 Champagne 45LUCIAQC

Full Bed

55" w x 79" d x 63" h
 Rust 45LUCIAFL2
 Platinum 45LUCIAFLP
 Champagne 45LUCIAFC

Twin Bed

39" w x 79" d x 63" h
 Rust 45LUCIATW2
 Platinum 45LUCIATWP
 Champagne 45LUCIATC

Finishes:

Rust



Platinum



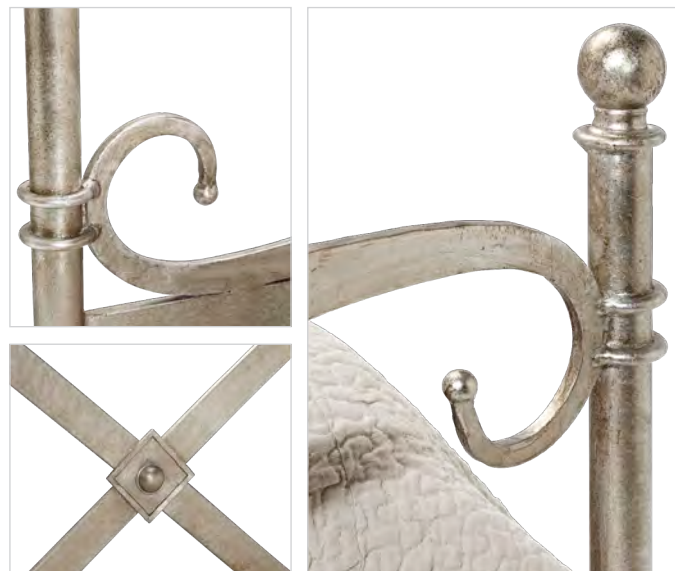
Champagne

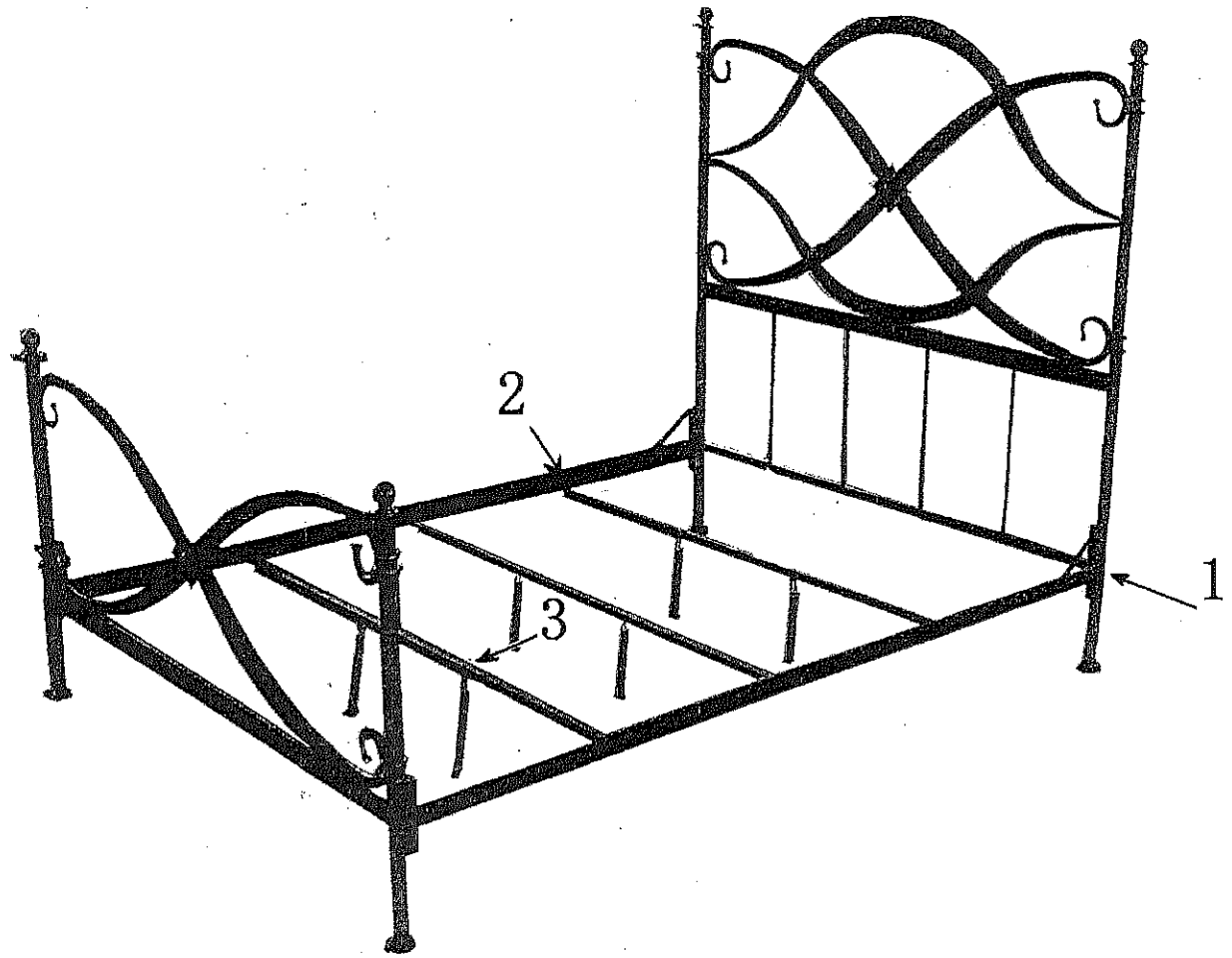
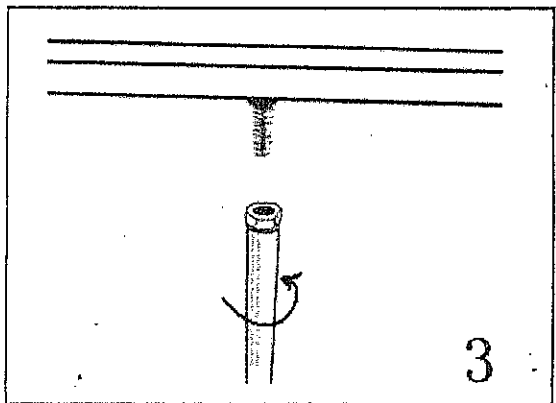
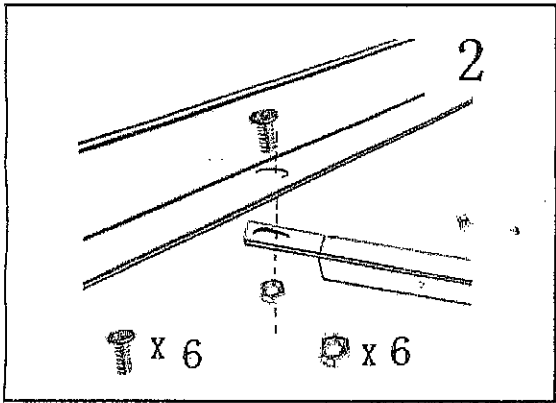
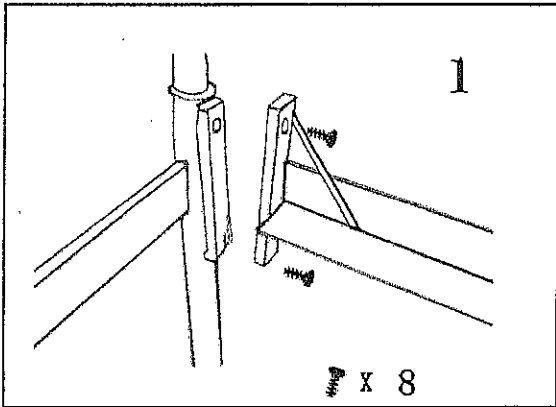
where warm breezes dance between island dwellings.

With a history of both English and French settlements inhabiting its tropical shores, the Caribbean island of St. Lucia has evolved over centuries into a sparkling fusion of French Creole culture and classic British style. Our St. Lucia Bed derives inspiration from both. Evocative of the swirling shapes forming a traditional British family crest, the swooping lines of this bed infuse solid wrought iron with a sense of lightness and fluidity. And, with its distinctive vintage finishes, this extraordinary bed evokes the spirit of a rare and delicate gem from another era.

product details

- ▶ Bed frames are craftsman-built from hand-forged wrought iron reinforced with solid iron bars forged to each bed rail—providing reliable support and stability for mattress sets.
- ▶ Delicate, iron ball finials float atop each bedpost. Ornate medallions punctuate the center of each headboard and footboard.
- ▶ Rust finishes are powder-coated to prevent rust. An elegantly aged patina is hand-painted over the coating and artfully rubbed off.
- ▶ Platinum and Champagne finishes are created with hand-applied silver or gold leaf.
- ▶ Bed frames can support our Retreat Adjustable Motion Bases.
- ▶ When paired with St. Lucia Beds, Retreat Motion Bases require leg extensions to fit bed frames. Leg Extensions are sold separately:
 - > King (requires 16 leg extensions; sold in packs of 4) sku: 917070EXTEND
 - > Twin, Full, & Queen (required 8 leg extensions; sold in packs of 4) sku: 917070EXTEND
- ▶ Leg extensions are designed to be used with Retreat Motion Bases only.
- ▶ To add leg extensions to your order, ask in-store or call 866.427.4287 (select prompt #1) for details.
- ▶ Keep your furniture looking its best. Visit arhaus.com or speak to any Arhaus Design Consultant for care recommendations.










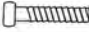




TDF4030Q Assembly Instruction

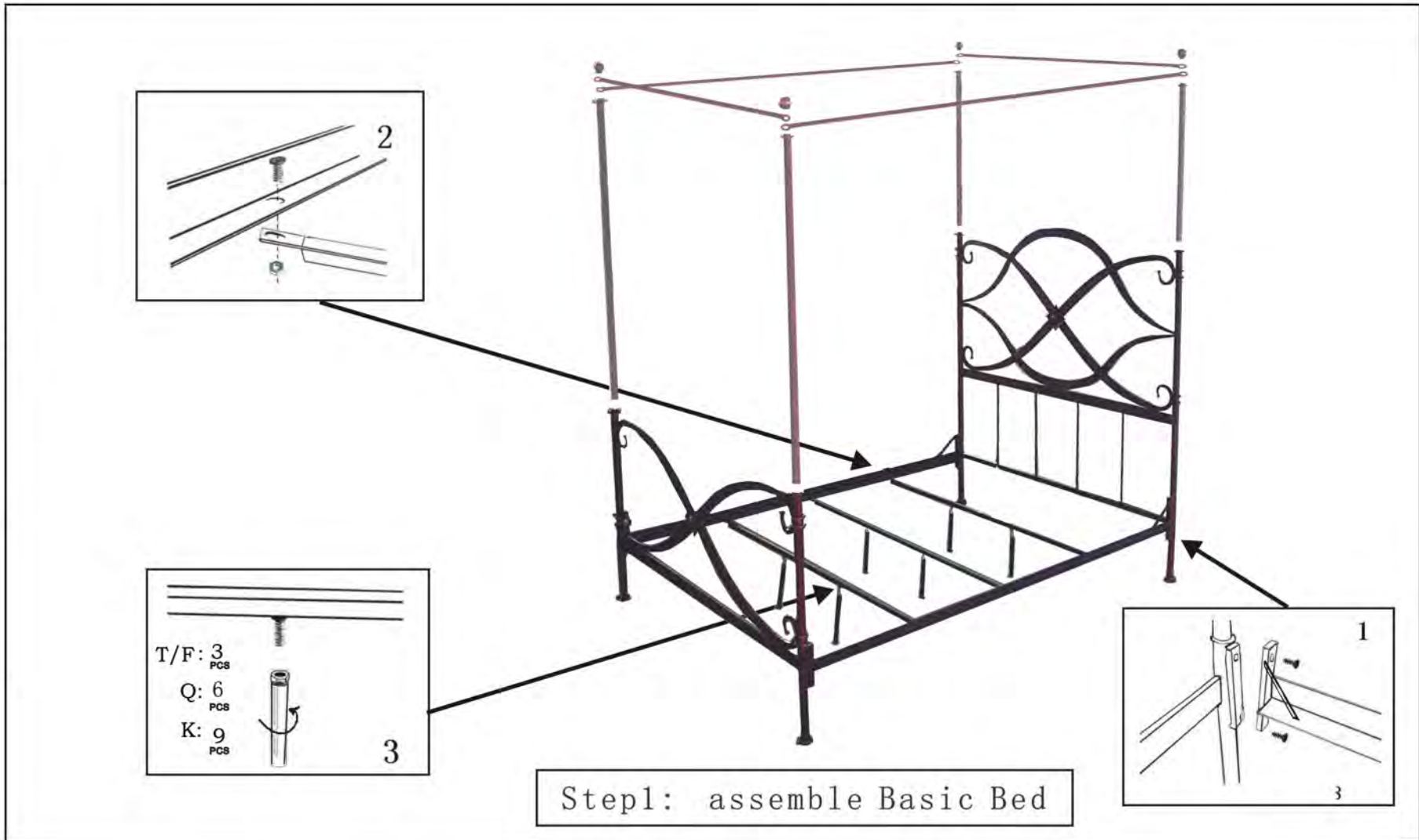
ASSEMBLING INSTRUCTION TDF4030 (ST LUCIA CANOPY BED) ARHAUS FURNITURE

Carton No.1

Carton No.2

 <p>1 PC</p> <p>Headboard</p>	 <p>1 PC</p> <p>Footboard</p>	 <p>3 PCS</p> <p>Metal slats</p>	 <p>T/F: 3 PCS Q: 6 PCS K: 9 PCS</p> <p>Support leg</p>	 <p>2 PCS</p> <p>Side rails</p>
--	--	---	--	--






<p>A 14 PCS</p>  <p>M8x15mm Screw</p>
<p>B 6 PCS</p>  <p>M8 screw cap</p>
<p>C 4 PCS</p>  <p>M38 feet pad</p>
<p>D 6 PCS</p>  <p>M25 support leg pad</p>
<p>E 1 PC</p>  <p>M6 allen key</p>



Step1: assemble Basic Bed

ASSEMBLING INSTRUCTION TDF4030 (ST LUCIA CANOPY BED) ARHAUS FURNITURE

Carton No. 2

 Ball	4 PCS
 long rail	2 PCS
 short rail	2 PCS
 long post	2 PCS
 Short post	2 PCS

Step2: assemble Canopy



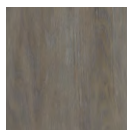
BEDROOM PARTS SKUS

Super Category	Product ID	Description	Collection	Route
BEDROOM	91313LUCIAHW	ST LUCIA BED ASSEMBLY HW ST LUCIA AND EVANSTON ASSEMBLY HW	PT-STLUCIA	PART
BEDROOM	91313LUCIALEG	ST LUCIA BED LEGS ST LUCIA AND EVANSTON	PT-STLUCIA	PART
BEDROOM	91LUCIAFLSLT	ST LUCIA BED SLATS FULL	PT-STLUCIA	PART
BEDROOM	91LUCIAKGLT	ST LUCIA BED SLATS KING	PT-STLUCIA	PART
BEDROOM	91LUCIATWSLT	ST LUCIA BED SLATS TWIN	PT-STLUCIA	PART

ARHAUS®

your home

tinsley

**King Bed**83.25" w x 86.75" d x 66.75" h
45TINSLEYKG**Queen Bed**67.25" w x 86.75" d x 66.75" h
45TINSLEYQN**6-Drawer Dresser**72" w x 20" d x 38" h
45TINSLEY6D**3-Drawer Dresser**50" w x 20" d x 38" h
45TINSLEY3D**Nightstand**32" w x 21" d x 26" h
45TINSLEYNT**Finish:**
Flemish Grey

18th century chic

Inspired by a late 18th century Louis XVI-style sideboard found in the flea markets of Annecy, France, our Tinsley Bedroom Collection is artfully crafted with careful attention to detail and traditional styling. Simple, straight lines, fluted legs, and panels are sculpted from solid American oak and veneers. Multilayered finishes give a soft and relaxed look that's contrasted by artful distressing and complimented by the natural beauty of oak wood coloring and grain. Solid wood drawers are reinforced and accented with beautiful, solid brass pulls and feature soft-close glides for quiet access to convenient storage.

product details

- ▶ Craftsman-built frames are constructed from solid American oak with elm veneers.
- ▶ Soft, multilayered finishes are styled and artfully distressed by hand to achieve a relaxed yet rustic patina.
- ▶ Solid brass hardware is handcrafted with a naturally aged finish to complement the tones and textures found in the oak wood surfaces.
- ▶ Drawers are constructed using English dovetail joinery for incredible durability.
- ▶ Drawers under-mounted on soft-close metal glides and feature reinforced bottom panels.



tinsley | bedroom collection | made in Vietnam

Dimensions may vary slightly. Please ensure furnishings fit through interior structures and into desired space before purchase.

ARHAUS

TINSLEY 3-DRAWER CHEST

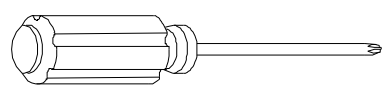
IMPORTANT SAFETY INSTRUCTIONS

- Move furniture with care and precaution when handling, which may cause injury or damage.
- Never drag furniture, always lift it when moving.
- Periodically check all fixtures to ensure no loosen part.

PARTS INCLUDED

A [1] DRAWER CHEST

TOOLS NEEDED



**Phillips head screwdriver
(not provided)**

HARDWARE LIST

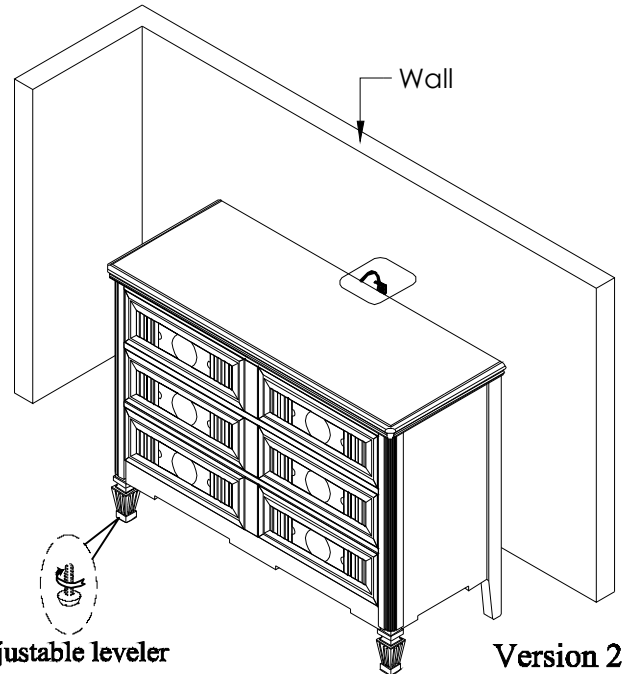
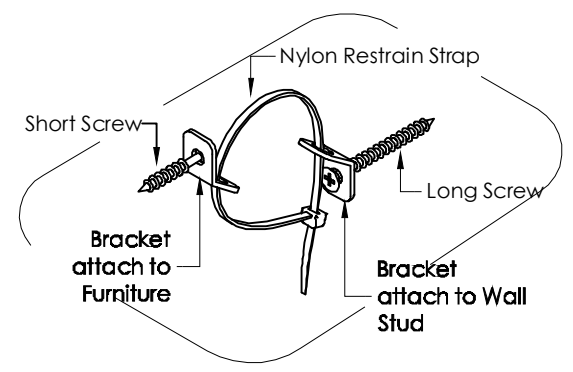
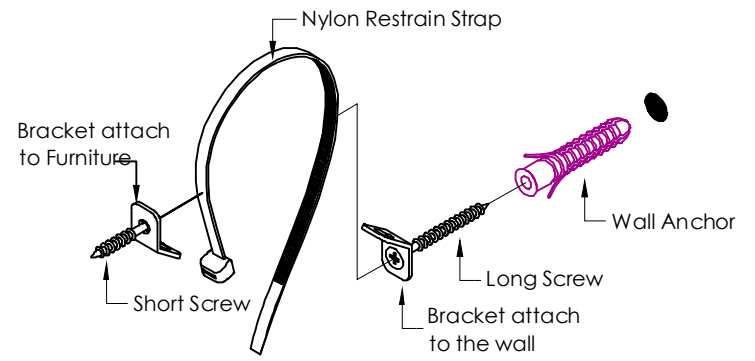
- [4] BRACKET
- [2] RESTRAINT STRAP
- [4 SHORTER] PHILIPS SCREWS
- [4 LONGER] PHILIPS SCREWS
- [4] PLASTIC ANCHOR

INSTALLATION INSTRUCTIONS

1. Attach two of the mounting brackets near the top back edge of the furniture piece using the shorter screw.
2. Determine the final position of the furniture piece and mark locations on the wall approximately 2" below the brackets mounted to the back of the furniture piece.
3. Drill a shorter hole into the dry wall stud. If wall stud is not available, drill a hole into the solid wall and insert plastic anchor. Gently tap the anchor until the flange is flush with the wall.
4. Attach the second set of brackets using the longer screw through the bracket hole and into the wall.
5. Place the furniture so that the brackets on the back edge are in line with the brackets in the wall.
6. Lace one end of the nylon restraint strap down through each bracket. Bring both ends together and slide the beaded end until it snap locks into the keyhole slot.
7. To double lock; return the beaded end back through the keyholes as shown.
8. Check to make sure the straps are securely laced and locked to the brackets.

CARE INSTRUCTIONS

- Dust often using a clean, soft, dry lint-free cloth.
- Blot spills immediately, and wipe with a clean, damp, cloth.
- We do not recommend the use of chemical cleansers, abrasives, or furniture polish on our lacquered finish.



Version 2

ARHAUS

TINSLEY 6-DRAWER CHEST

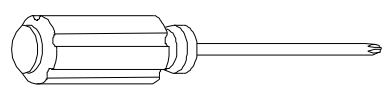
IMPORTANT SAFETY INSTRUCTIONS

- Move furniture with care and precaution when handling, which may cause injury or damage.
- Never drag furniture, always lift it when moving.
- Periodically check all fixtures to ensure no loosen part.

PARTS INCLUDED

A [1] DRAWER CHEST

TOOLS NEEDED



**Phillips head screwdriver
(not provided)**

HARDWARE LIST

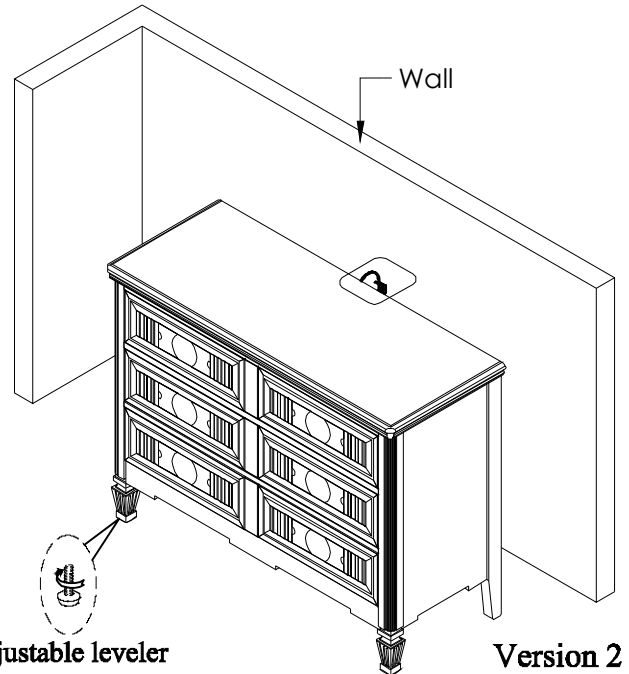
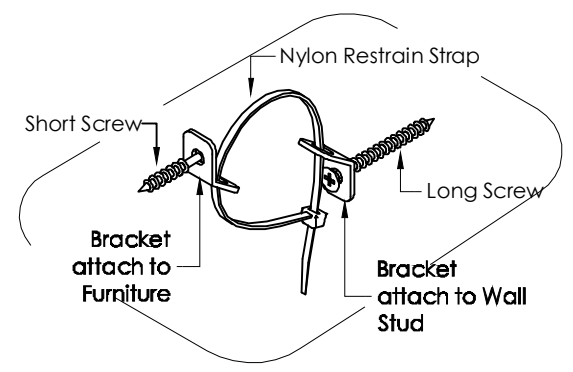
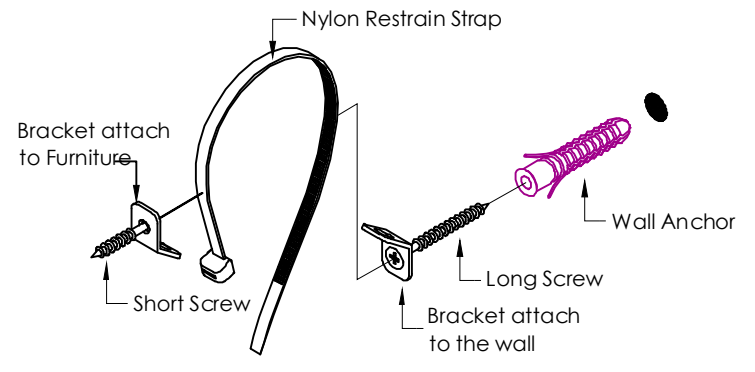
- [4] BRACKET
- [2] RESTRAINT STRAP
- [4 SHORTER] PHILIPS SCREWS
- [4 LONGER] PHILIPS SCREWS
- [4] PLASTIC ANCHOR

INSTALLATION INSTRUCTIONS

1. Attach two of the mounting brackets near the top back edge of the furniture piece using the shorter screw.
2. Determine the final position of the furniture piece and mark locations on the wall approximately 2" below the brackets mounted to the back of the furniture piece.
3. Drill a shorter hole into the dry wall stud. If wall stud is not available, drill a hole into the solid wall and insert plastic anchor. Gently tap the anchor until the flange is flush with the wall.
4. Attach the second set of brackets using the longer screw through the bracket hole and into the wall.
5. Place the furniture so that the brackets on the back edge are in line with the brackets in the wall.
6. Lace one end of the nylon restraint strap down through each bracket. Bring both ends together and slide the beaded end until it snap locks into the keyhole slot.
7. To double lock; return the beaded end back through the keyholes as shown.
8. Check to make sure the straps are securely laced and locked to the brackets.

CARE INSTRUCTIONS

- Dust often using a clean, soft, dry lint-free cloth.
- Blot spills immediately, and wipe with a clean, damp, cloth.
- We do not recommend the use of chemical cleansers, abrasives, or furniture polish on our lacquered finish.



ARHAUS

TINSLEY KING BED

IMPORTANT SAFETY INSTRUCTIONS

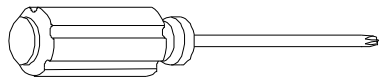
- Move furniture with care and precaution when handling, which may cause injury or damage.
- Never drag furniture, always lift it when moving.
- Periodically check all fixtures to ensure no loosen part.







PARTS INCLUDED

- A. HEADBOARD (1)
- B. FOOTBOARD (1)
- C. SIDE RAILS (1 SET)
- D. SLATS (9)
- E. CENTER SUPPORT (2)
- F. LONG SLAT (2)

TOOLS NEEDED

Phillips head screwdriver (not provided)



No.	Item	Description	QTY.	Packed With
1		THREADED ROD	8pcs	VT16540C-AF
2		HEX NUT	8pcs	VT16540C-AF
3		LOCK WASHER	8pcs	VT16540C-AF
4		CURVED SLOTTED WASHER	8pcs	VT16540C-AF
5		WRENCH	1pc	VT16540C-AF
6		SCREW #8*1"	18pcs	VT16540C-AF

CARE INSTRUCTIONS:

1. Clean periodically by wiping the frame with a soft clean cloth slightly moistened with water.
2. Do not use abrasive cleaners and chemical cleaners.

IMPORTANT SAFETY INSTRUCTIONS

1. Do not place heavy objects to the top.
2. Never sit on, stand on, or otherwise apply heavy pressure to the product.
3. Do not allow children to play on or around the product.

FIGURE 01:

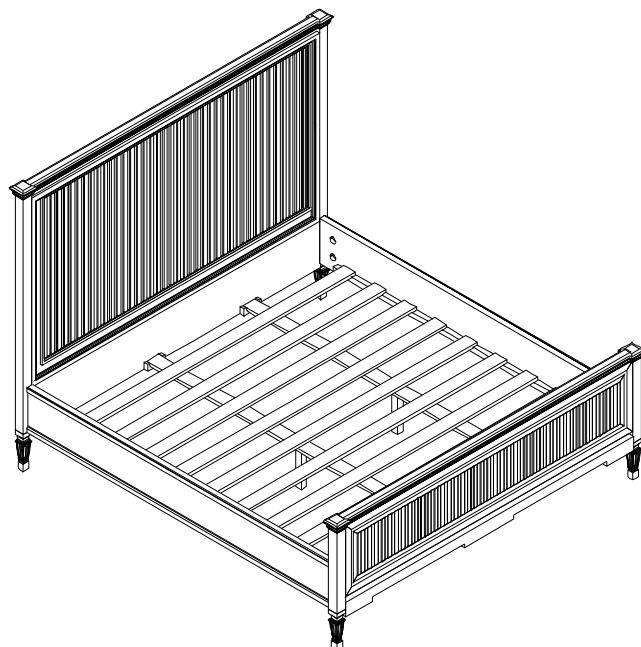
Bring the headboard (A) and footboard (B) upright, leaving enough distance to attach the side rails (C). Place the threaded rods (1) into the insert nuts and the wooden dowels (6) into the pre-installed holes located on the inside of the headboard and footboard. Attach the side rails by inserting the threaded rods and wooden dowels into the mating holes. Secure with the curved washer (4), lock washer (3), and hexagonal nut (2) using the open wrench (5).

FIGURE 02:

Attach the slat supports leg (E) to the slat support (F) and place the vertical slats inside the openings on the headboard (A) and footboard (B).

FIGURE 03:

Place the slat roll (D) inside the opening on the side rails (C). Secure with the screws (7) using a Phillips-head screwdriver. Assembly is complete.



ARHAUS

TINSLEY KING BED

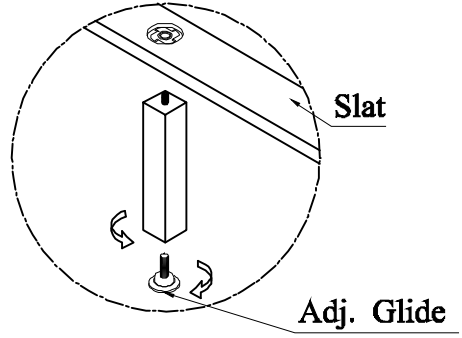
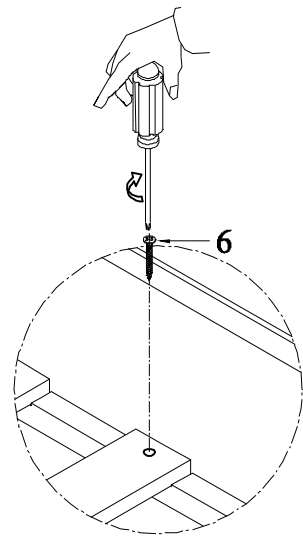
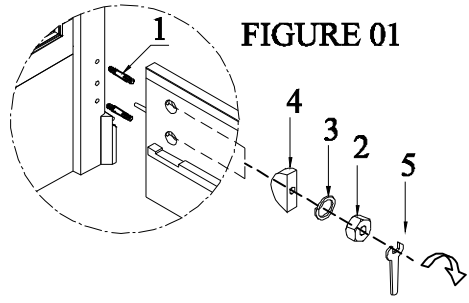
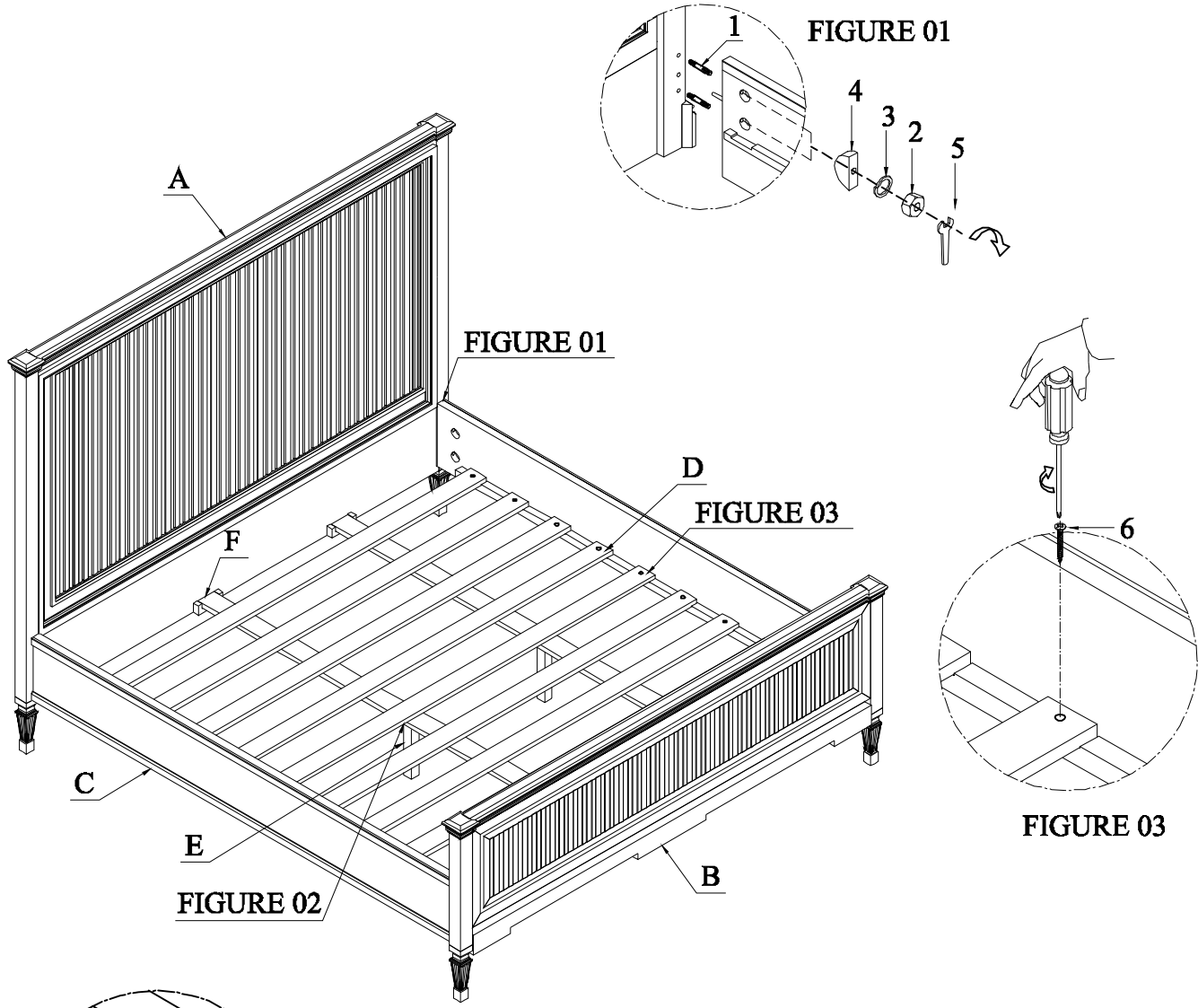


FIGURE 02

ARHAUS

TINSLEY QUEEN BED

IMPORTANT SAFETY INSTRUCTIONS

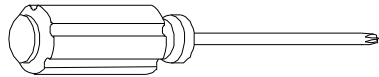
- Move furniture with care and precaution when handling, which may cause injury or damage.
- Never drag furniture, always lift it when moving.
- Periodically check all fixtures to ensure no loosen part.







PARTS INCLUDED

- A. HEADBOARD (1)
- B. FOOTBOARD (1)
- C. SIDE RAILS (1 SET)
- D. SLATS (9)
- E. CENTER SUPPORT (1)
- F. LONG SLAT (1)

TOOLS NEEDED

Phillips head screwdriver (not provided)



No.	Item	Description	QTY.	Packed With
1		THREADED ROD	8pcs	3000189C-AF
2		HEX NUT	8pcs	3000189C-AF
3		LOCK WASHER	8pcs	3000189C-AF
4		CURVED SLOTTED WASHER	8pcs	3000189C-AF
5		WRENCH	1pc	3000189C-AF
6		SCREW #8*1"	18pcs	3000189C-AF

CARE INSTRUCTIONS:

1. Clean periodically by wiping the frame with a soft clean cloth slightly moistened with water.
2. Do not use abrasive cleaners and chemical cleaners.

IMPORTANT SAFETY INSTRUCTIONS

1. Do not place heavy objects to the top.
2. Never sit on, stand on, or otherwise apply heavy pressure to the product.
3. Do not allow children to play on or around the product.

FIGURE 01:

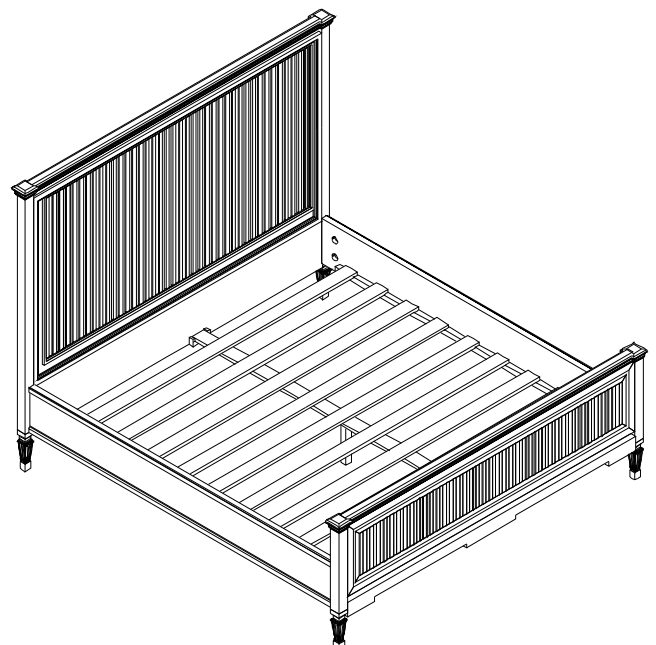
Bring the headboard (A) and footboard (B) upright, leaving enough distance to attach the side rails (C). Place the threaded rods (1) into the insert nuts and the wooden dowels (6) into the pre-installed holes located on the inside of the headboard and footboard. Attach the side rails by inserting the threaded rods and wooden dowels into the mating holes. Secure with the curved washer (4), lock washer (3), and hexagonal nut (2) using the open wrench (5).

FIGURE 02:

Attach the slat supports leg (E) to the slat support (F) and place the vertical slats inside the openings on the headboard (A) and footboard (B).

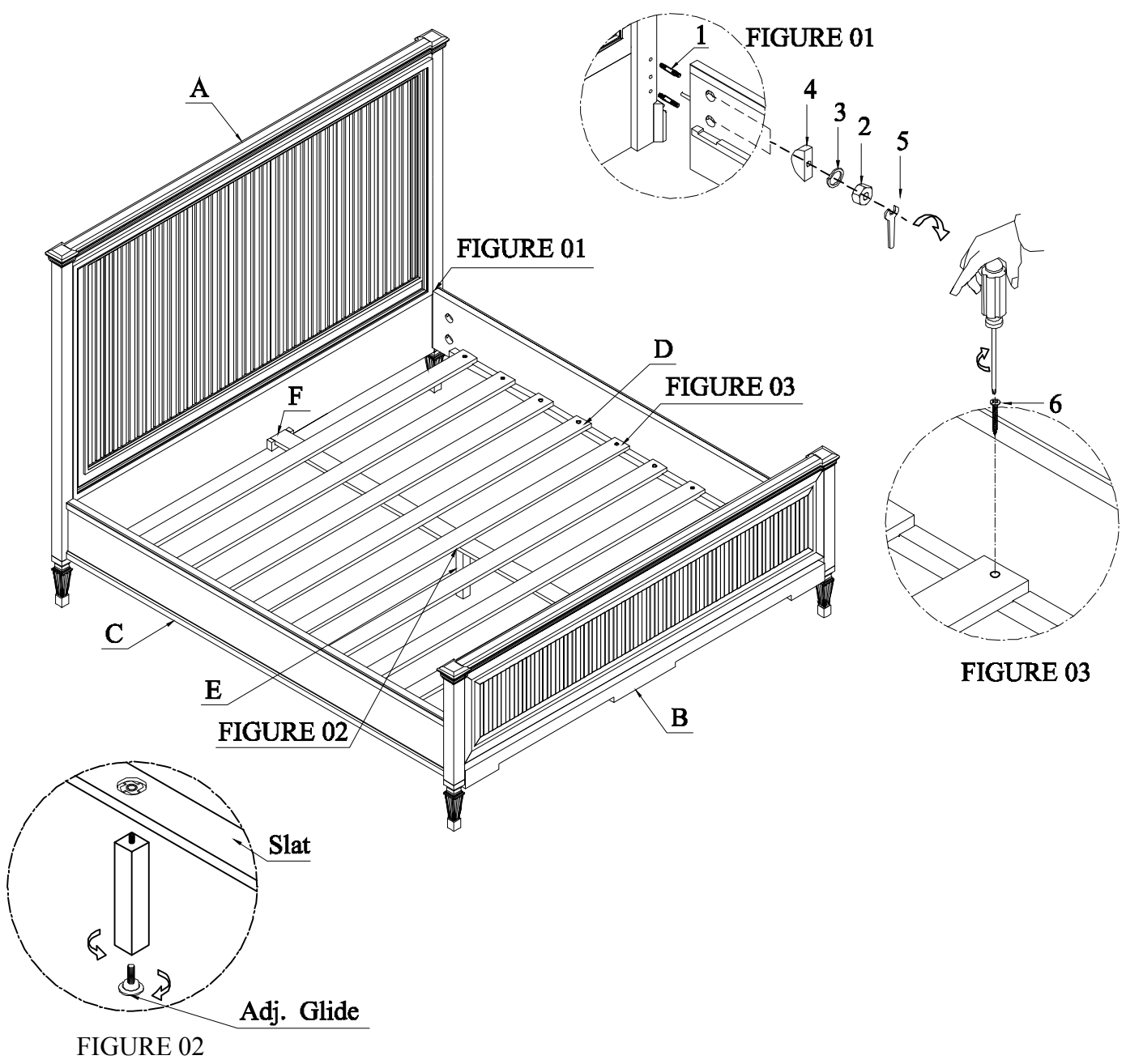
FIGURE 03:

Place the slat roll (D) inside the opening on the side rails (C). Secure with the screws (7) using a Phillips-head screwdriver. Assembly is complete.



ARHAUS

TINSLEY QUEEN BED



BEDROOM PARTS SKUS

Super Category	Product ID	Description	Collection	Route
BEDROOM	91TINSLEYFTG	TINSLEY ADJUST FOOT GLIDE 4 PC SET OF 4 - 1 PIECE	PT-TINSLEY	PART
BEDROOM	91TINSLEYHW	TINSLEY ASSEMBLY HARDWARE SET	PT-TINSLEY	PART
BEDROOM	91TINSLEYTIP	TINSLEY CASE ANTI TIP KIT	PT-TINSLEY	PART
BEDROOM	91TINSLEYMS	TINSLEY CASE DRWR METAL SLIDES 1 SET	PT-TINSLEY	PART
BEDROOM	91TINSLEYPUL	TINSLEY CASE RNG PULL BRASS	PT-TINSLEY	PART
BEDROOM	91TINSLEYCSL	TINSLEY CENTR SLAT W/ FT GLIDE 1 PIECE	PT-TINSLEY	PART
BEDROOM	91TINSLEYSLT	TINSLEY SLAT KING 9 PC	PT-TINSLEY	PART
BEDROOM	91TINSLEYQST	TINSLEY SLAT QUEEN 9PC	PT-TINSLEY	PART

ARHAUS®

your home

tremont

**King Bed**

81" w x 87" d x 54" h

Dry Branch Black 45TREMKGKT
Midnight Java 45TREMKB RNKT

Queen Bed

65" w x 87" d x 54" h

Dry Branch Black 45TREMQNKT
Midnight Java 45TREMQB RNKT

Full Bed

57.75" w x 80.5" d x 54" h

Dry Branch Black 45TREMFLKT
Midnight Java 45TREMFB RNKT

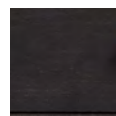
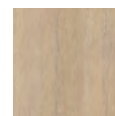
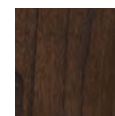
Twin Bed

42.75" w x 80.5" d x 54" h

Dry Branch Black 45TREM TWKT
Midnight Java 45TREM TB RNKT

beds

- ▶ Beds featuring our Dry Branch Black or Midnight Java finishes are upholstered in our vintage-inspired recycled leather accented by brass nailheads..
- ▶ Bed frames include space to accommodate variances in mattress sizes and allow bedding to be tucked in.

Finishes:Dry Branch
BlackDry Branch
Natural

Midnight Java

historically inspired

Inspired by 18th and 19th century campaign furnishings—originally designed for easy transport and assembly—our Tremont Collection's sophisticated aesthetic is defined by rugged yet elegant details reminiscent of the original style. Craftsman-built using solid hardwood and veneers, this durable collection is beautifully hand-finished with soft stains—selected to enhance the natural texture and dramatic grain found within in each surface. Every comfortable piece is adorned with leather and brass corner caps amongst other classic accents to create a vintage-inspired theme within your space.

product details

- ▶ Frames are constructed from solid mindi wood and thick mindi veneers, with strength similar to ash and oak hardwoods.
- ▶ Finishes are wire-brushed to accentuate the hardwood frames' natural grain and texture; then lacquered for added protection and a subtle sheen.
- ▶ Drawers are set on full-extension, metal, ball-bearing glides for smooth motion and easy removal.
- ▶ Stain-, fade-, and scratch-resistant leather straps with antique brass buckles are used as pulls.
- ▶ Antique Brass handles are sold separately and delivered via UPS prior to furniture delivery.
- ▶ Drawers are adorned with complementing antique brass handles. Leather drawer pulls are not available for this piece.
- ▶ Keep your furniture looking its best. Visit arhaus.com or speak to any Arhaus Design Consultant for care recommendations.



ARHAUS®

your home

storage beds

- ▶ Storage Beds featuring our Dry Branch Natural finish are upholstered in ivory linen accented by brass nailheads.
- ▶ Full, Queen, and King Storage Beds feature two drawers on each side.
- ▶ Twin Storage Bed features two drawers on one side; choose which side upon delivery.



King Storage Bed

81" w x 87" d x 54" h

Drawer interior 33.75" w x 23.25" d x 8" h

Dry Branch Natural 45TREMKSNTKB
 Dry Branch Black 45TREMKSNTKBH
 Midnight Java 45TREMKSNTKBH

Antique Brass Handles 45TREMKSNTKBHKT

Queen Storage Bed

65" w x 87" d x 54" h

Drawer interior 33.75" w x 23.25" d x 8" h

Dry Branch Natural 45TREMQSNTKB
 Dry Branch Black 45TREMQSNTKBH
 Midnight Java 45TREMQSNTKBH

Antique Brass Handles 45TREMQSNTKBHKT

Full Storage Bed

57.75" w x 80.5" d x 54" h

Drawer interior 30.5" w x 23.25" d x 8" h

Dry Branch Natural 45TREMFSNATKT**
 Dry Branch Black 45TREMFSNATKBH
 Midnight Java 45TREMFSNATKBH

Antique Brass Handles 45TREMFSNATKBHKT

Twin Storage Bed

42.75" w x 80.5" d x 54" h

Drawer interior 30.5" w x 23.25" d x 8" h

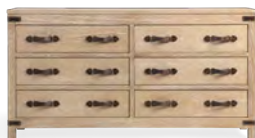
Dry Branch Natural 45TREMTSNATKT**
 Dry Branch Black 45TREMTSNATKBH
 Midnight Java 45TREMTSNATKBH

Antique Brass Handles 45TREMTSNATKBHKT

** Includes antique brass drawer pulls. Leather pulls not available.

case pieces

- ▶ Case pieces feature spacious drawers constructed with dovetail joinery and under-mounted, soft-close glides.



6-Drawer Dresser

62.75" w x 18" d x 33.25" h

Dry Branch Natural 45TREM6DNTBH
 Dry Branch Black 45TREM6DNTKBH**
 Midnight Java 45TREM6DNTKBH

Antique Brass Handles 45TREM6DNTKBHKT

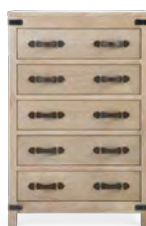


2-Over-3-Drawer Dresser

36.75" w x 18" d x 40.25" h

Dry Branch Natural 45TREM23NTBH
 Dry Branch Black 45TREM23NTKBH
 Midnight Java 45TREM23NTKBH

Antique Brass Handles 45TREM23NTKBHKT



5-Drawer Dresser

33" w x 18" d x 49.5" h

Dry Branch Natural 45TREM5DNTBH
 Dry Branch Black 45TREM5DNTKBH
 Midnight Java 45TREM5DNTKBH

Antique Brass Handles 45TREM5DNTKBHKT



3-Drawer Chest

30" w x 18" d x 33" h

Dry Branch Natural 45TREM3DRNAT
 Dry Branch Black 45TREM3DRNATBH
 Midnight Java 45TREM3DRNATBH

Antique Brass Handles 45TREM3DRNATBHKT



Wardrobe

47.25" w x 24" d x 65.75" h

Dry Branch Natural 45TREMWRDNTB
 Dry Branch Black 45TREMWRDNTKBH
 Midnight Java 45TREMWRDNTKBH

Antique Brass Handles 45TREMWRDNTKBHKT

** Includes antique brass drawer pulls. Leather pulls not available.



Nightstand

20" w x 16" d x 28" h

Dry Branch Black 45TREMNTBH**
 Midnight Java 45TREMNTBKH

Antique Brass Handles 45TREMNTBKHKT



Storage Nightstand

22" w x 19.5" d x 28" h

Dry Branch Natural 45TREMNTSBH
 Dry Branch Black 45TREMNTSBKH
 Midnight Java 45TREMNTSBKH

Antique Brass Handles 45TREMNTSBKHKT

nightstands

- ▶ Storage Nightstands are shaped to allow the drawers of the Storage Bed to easily open.

** Includes antique brass drawer pulls. Leather pulls not available.



Mirror

50.75" w x 4" d x 39.75" h

Dry Branch Black 45TREMMP
 Midnight Java 45TREMMPBH

mirror

- ▶ Can be hung vertically or horizontally; hardware included.
- ▶ Professional installation recommended; please consult a professional before hanging.
- ▶ Weighs 17 lbs.

Antique Brass Handles


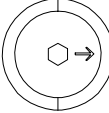


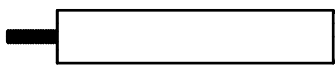
1 handle TREHANDPK1
 2 handles TREHANDPK2
 3 handles TREHANDPK3

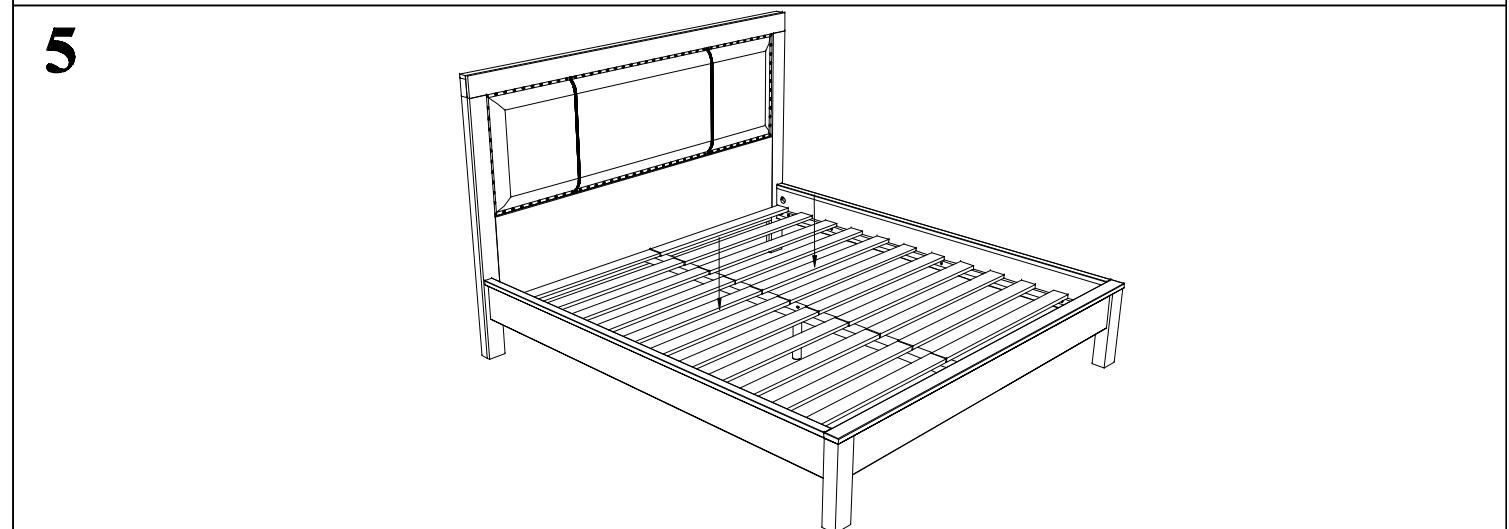
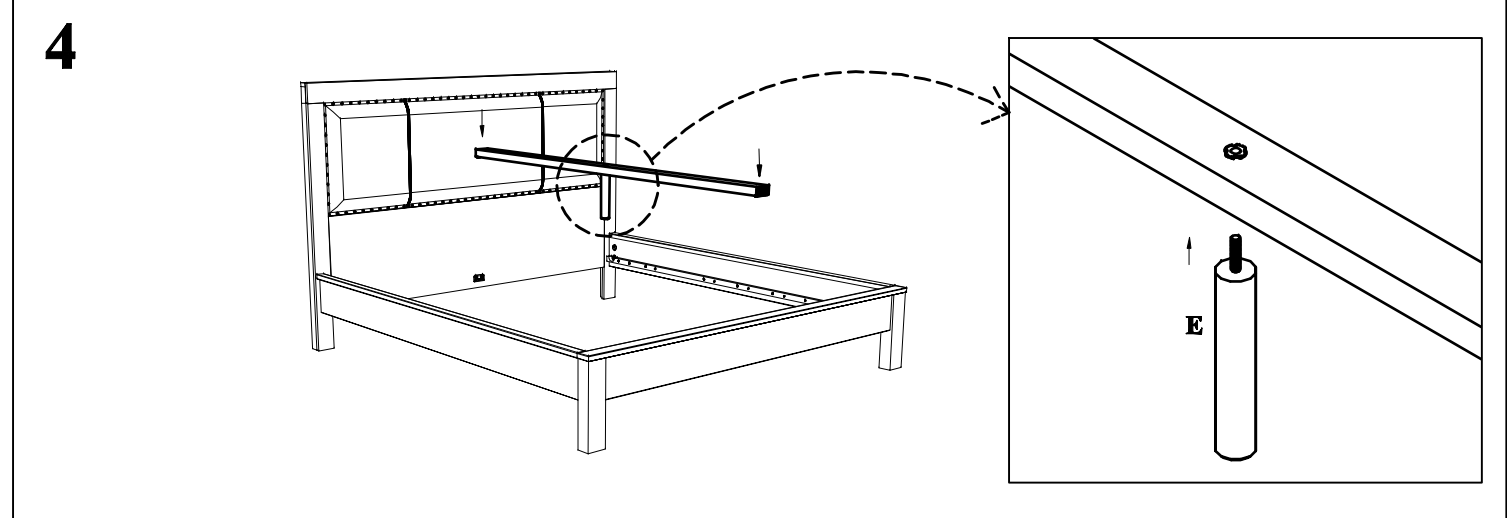
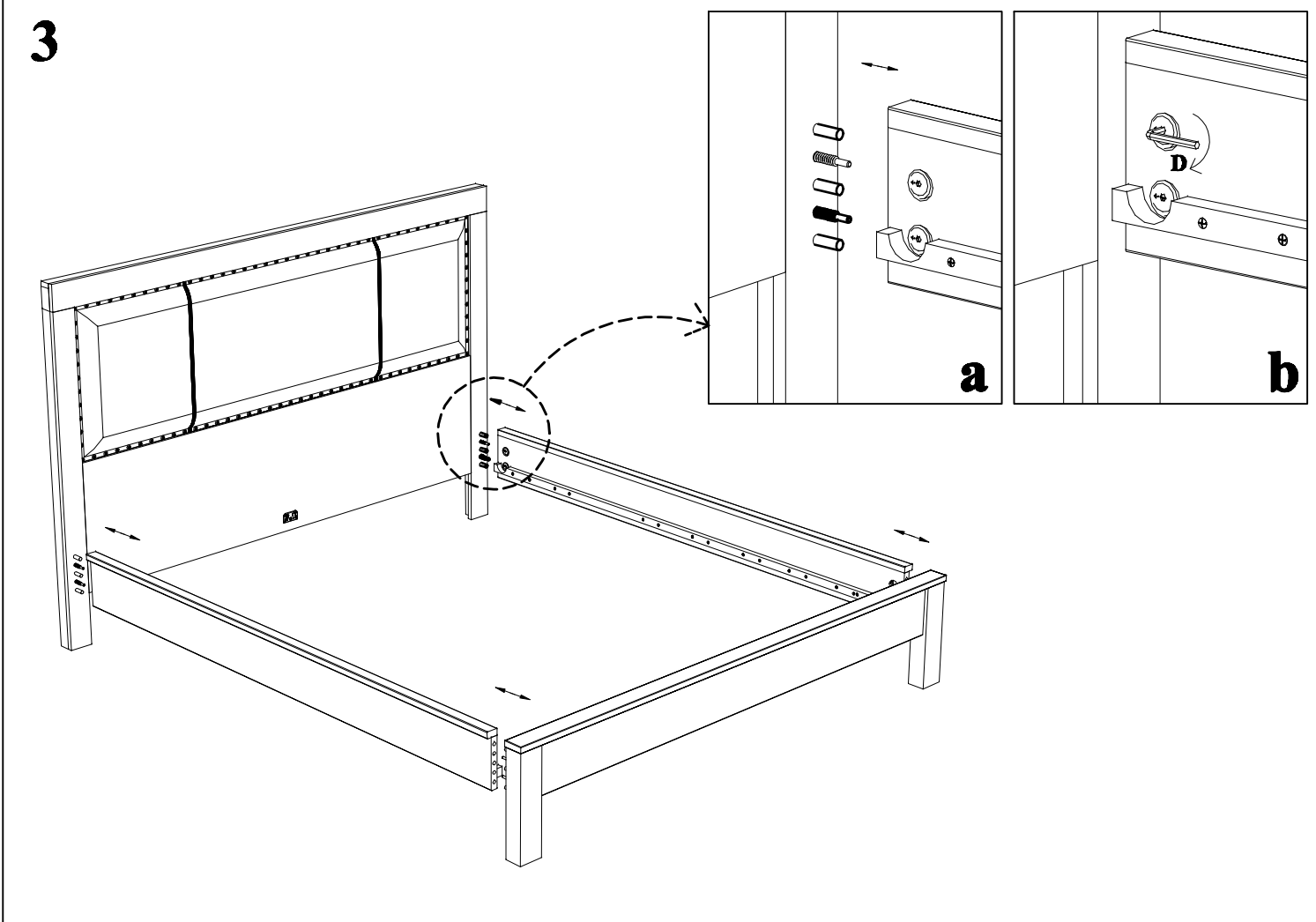
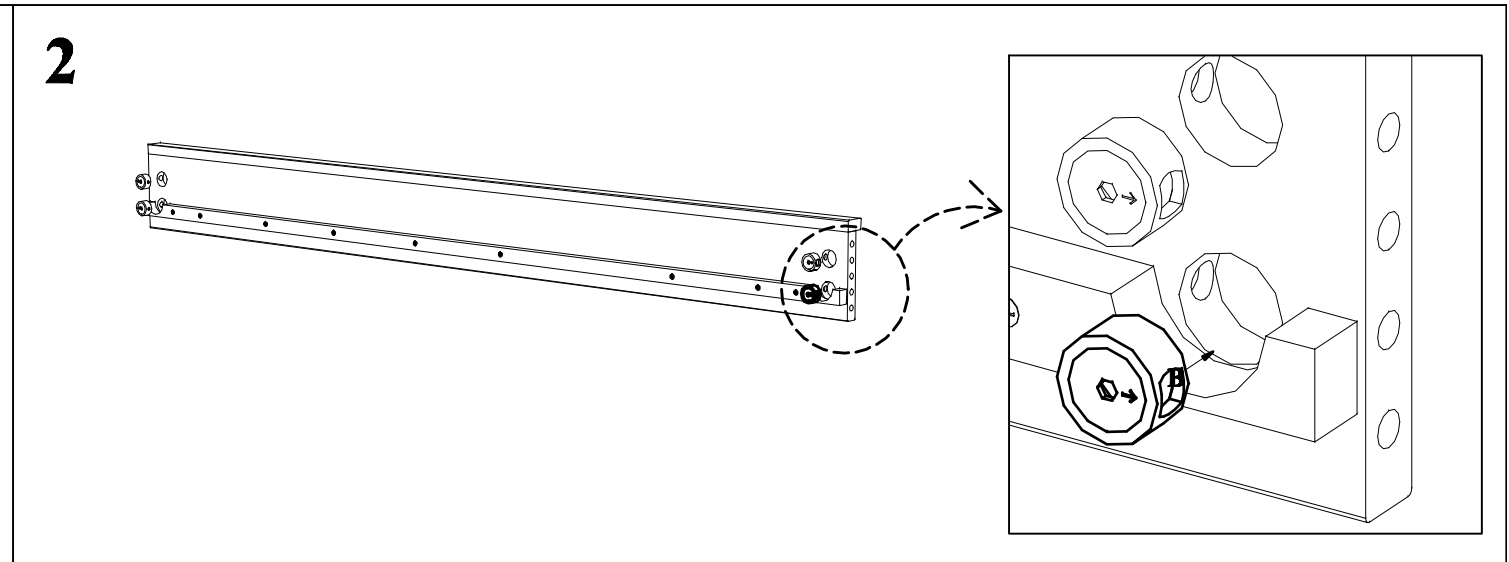
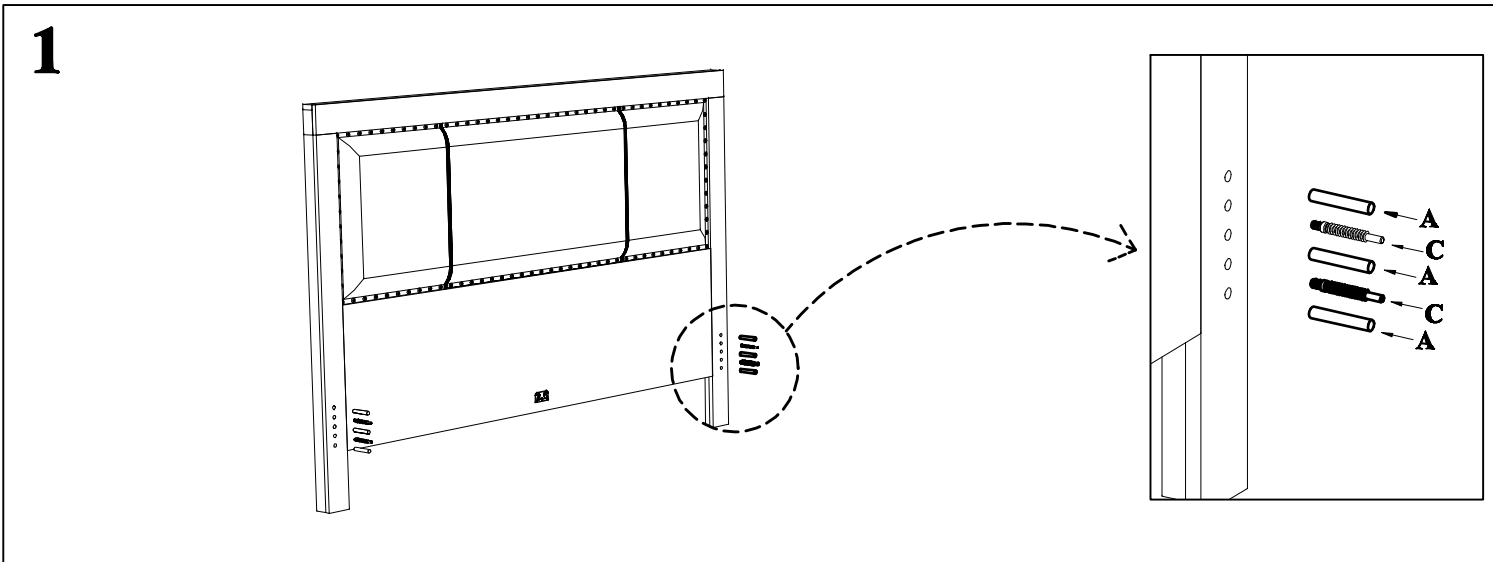
*Optional antique brass handles for each piece are sold separately.

45TREMQN 45TREMQRN
 45TREMKG 45TREMKB RN
 45TREMFL 45TREMFB RN

Assembling Instruction Tremont Full, Queen & King Bed

Hardware Kit (HIB 0044)


A =  = 12 Pcs B =  = 8 Pcs C =  = 8 Pcs D =  = 1 Pc E =  = 1 Pc

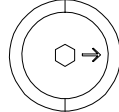


45TREMFW
45TREMFBRN

Assembling Instruction Tremont Twin Bed

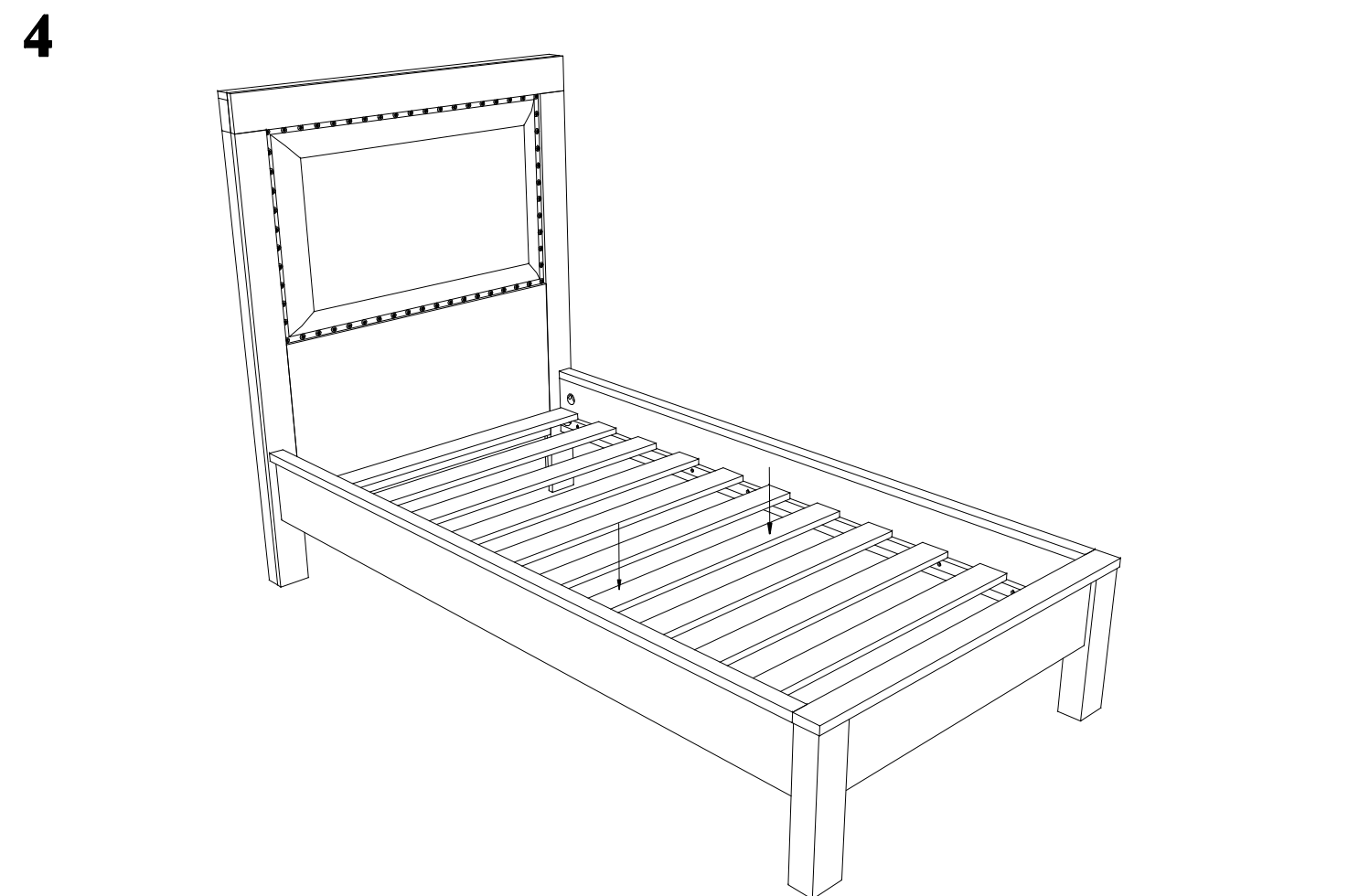
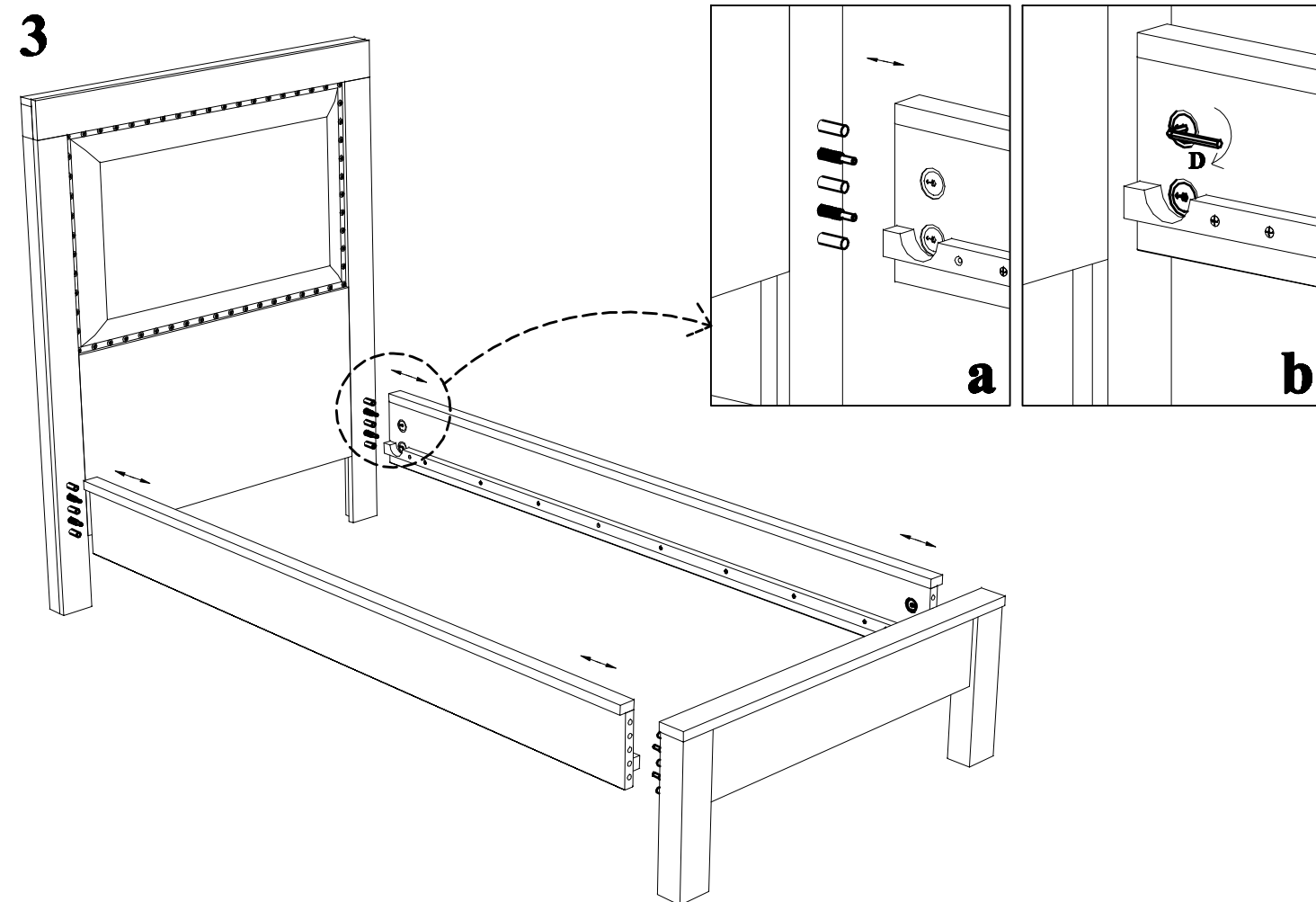
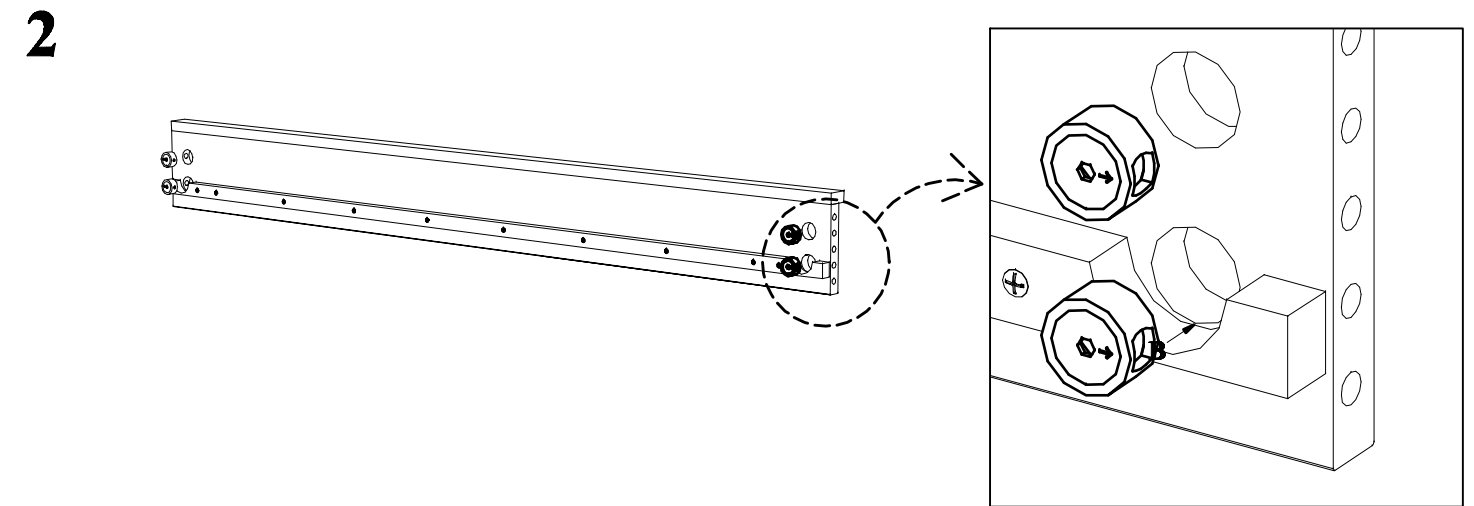
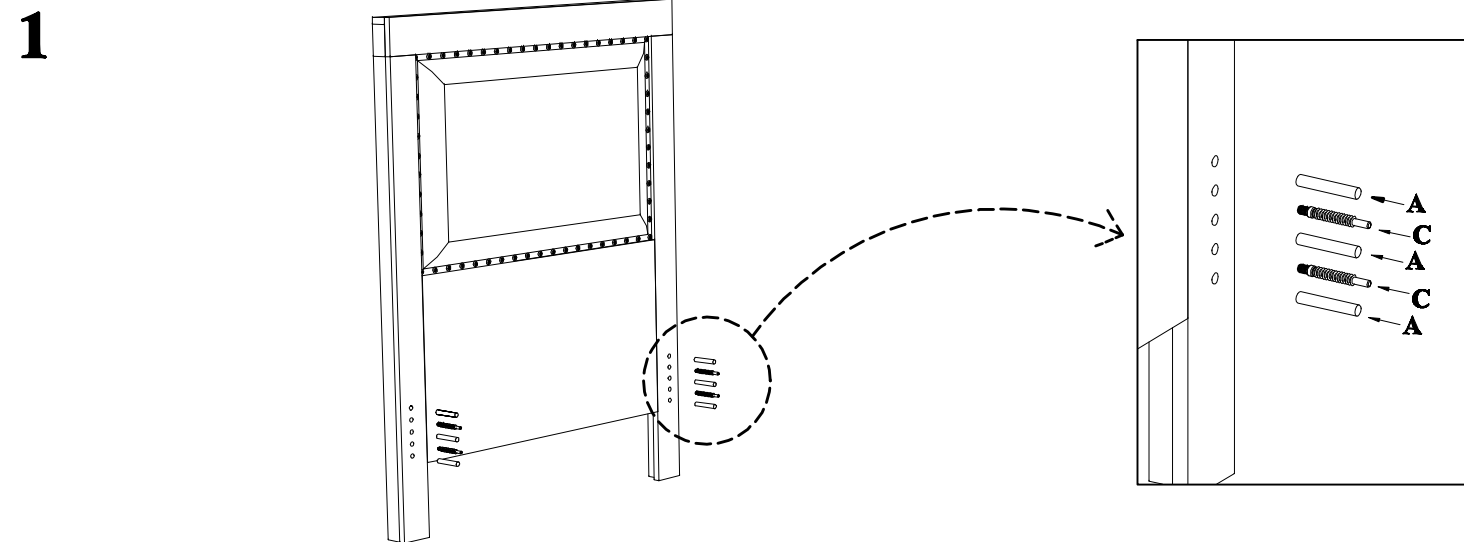
Hardware Kit (HIB 0105)

A =  = 12 Pcs

B =  = 8 Pcs

C =  = 8 Pcs

D =  = 1 Pc



BEDROOM PARTS SKUS

Super Category	Product ID	Description	Collection	Route
BEDROOM	91TREMONTWH	TREMONT BED ASSEMBLY HDW KQF NON-STOR ALL SIZES EXCPT TWIN	PT-TREMONT	PART
BEDROOM	91TREMTHWH	TREMONT BED ASSEMBLY HW TWIN TREMONT NON-STORAGE TWIN ONLY	PT-TREMONT	PART
BEDROOM	91TREMFLSLT	TREMONT BED SLATS FULL	PT-TREMONT	PART
BEDROOM	91TREMKGSLT	TREMONT BED SLATS KING	PT-TREMONT	PART
BEDROOM	91TREMQNSLT	TREMONT BED SLATS QUEEN	PT-TREMONT	PART
BEDROOM	91TREMTHWSLT	TREMONT BED SLATS TWIN	PT-TREMONT	PART
BEDROOM	45CONNCAM	TREMONT CAM CONNECTOR	PT-TREMONT	PART
BEDROOM	45CAMLKSCREW	TREMONT CAM LOCK SCREW	PT-TREMONT	PART
BEDROOM	91TREMDBRNLH	TREMONT HANDLE LEATHER FOR BRN TREMONT BROWN FINISH	PT-TREMONT	PART
BEDROOM	91TREMBRNLH	TREMONT HANDLE LTHR FOR BLK/NA TREMONT BLK & NAT FINISH	PT-TREMONT	PART
BEDROOM	45TRESTGSLEG	TREMONT STOR BED SUPPRT LEG 1 SET IS 3 SUPPORT LEGS	PT-TREMONT	PART
BEDROOM	91378STOBED	TREMONT STORAGE BED ASSEMBY HW ALL TREMONT STORAGE BED SIZES	PT-TREMONT	PART
BEDROOM	45378TREKNB	TREMONT WARD DRAWER KNOB	PT-TREMONT	PART
BEDROOM	91TREMWBAR	TREMONT WARDROBE CLOTHING BAR FOR ALL FINISHES	PT-TREMONT	PART
BEDROOM	91TREMSHFBL	TREMONT WARDROBE SHELF BLACK	PT-TREMONT	PART
BEDROOM	91TREMSHFBR	TREMONT WARDROBE SHELF BROWN	PT-TREMONT	PART

ARHAUS®

your home

elite motion base

**Split King**78" w x 80" d x 15" h; each half is 39" w
50KELTMBSPKT**Horizontal King**76" w x 80" d x 15" h
50KGELTMOTBS**Split California King**72" w x 84" d x 15" h; each half is 36" w
50CKETMBSPKT**Horizontal Queen**60" w x 80" d x 15" h
50QNELTMOTBS**Split Queen***

60" w x 80" d x 15" h; each half is 30" w

Full*

54" w x 75" d x 15" h

Twin*

39" w x 75" d x 15" h

*available by special order only.

turn your mattress into a luxury retreat.

Designed to accommodate our Retreat Mattress Collection, our Elite Motion Bases allow you to adjust the angle and shape of your mattress to match your personal comfort preferences. With the simple touch of a button and a wide range of positions, your bed will be the ideal lounge for reading, watching movies or working on your laptop. With engineered ergonomic support, this sleep system will help you slumber more restfully and help reduce snoring. Plus, massage and continuous motion functions will keep you as relaxed as possible.

product details

- ▶ Motion bases feature adjustable height options at the push of a button.
- ▶ Features anti-snore, full lounge, and zero gravity positions along with a soothing therapeutic massage function and continuous motion mode.
- ▶ Built-in USB outlets provide power for mobile device chargers and other bedside electronics.
- ▶ Under-bed LED nightlight illuminates the surrounding floor at night.
- ▶ Includes wireless remote.
- ▶ Supported by durable steel legs for ensured stability.
- ▶ Two heavy duty motors have a lift capacity of 850 lbs. each.
- ▶ Includes battery backup system.
- ▶ Designed for use with our Retreat Mattresses. Mattresses are sold separately.
- ▶ Compatible with all Arhaus non-platform beds.
- ▶ King bases are split and can operate as a single unit or as two independent halves.
- ▶ For halves of a split base to function independently, they must be used with a split mattress.
- ▶ 20-year limited warranty. (Register at <http://www.bedframes.com/rize/rize-registration>)
- ▶ UL, ETL and Energy Star certified and approved.
- ▶ Under-bed clearance measures 12" h.



elite motion base | bedroom collection | made in America

Dimensions may vary slightly. Please ensure furnishings fit through interior structures and into desired space before purchase.

ARHAUS®

your home

WARRANTY

20-YEAR PREMIUM LIMITED WARRANTY FOR ADJUSTABLE BEDS

CUSTOMATIC ADJUSTABLE BEDZ®, (CUSTOMATIC ADJUSTABLE BEDZ®) warrants this adjustable bed to the consumer who is the original purchaser (the “purchaser,” subject to the terms and conditions set forth herein). This warranty begins on the “warranty commencement date,” or the purchase date for new and unused adjustable beds. For adjustable beds that have been used either as floor or display models, the “warranty commencement date” is the date the bed was manufactured. Therefore, a floor or display model bed is covered by a portion of the limited 20-year warranty. The purchaser must show original proof of purchase for warranty to be valid. If proof of purchase is not presented, CUSTOMATIC ADJUSTABLE BEDZ® holds full right to determine whether the adjustable bed is covered by the warranty. In so doing, CUSTOMATIC ADJUSTABLE BEDZ® has the right to use the manufacturing date as the warranty commencement date.

The 20-Year Limited Warranty is extended solely to the original purchaser. This warranty is not transferrable.

FULL 3-YEAR WARRANTY (PARTS)

This adjustable bed is warranted against defects in the workmanship or materials for a period of three years from the warranty commencement date. Upon notice during the first three years after the warranty commencement date, CUSTOMATIC ADJUSTABLE BEDZ® will replace any defective adjustable bed part based on the criteria listed below.

YEAR 1: FULL COVERAGE OF PARTS & LABOR

This adjustable bed is warranted against workmanship and craftsmanship defects or defective materials for up to one (1) year from the warranty commencement date. When notified by purchaser within the first year, CUSTOMATIC ADJUSTABLE BEDZ® will supply replacements (at no cost to the purchaser) for any defective or malfunctioning adjustable bed part. CUSTOMATIC ADJUSTABLE BEDZ® must authorize that the part is defective or malfunctioning before replacement parts are supplied to purchaser or any labor costs are absorbed. Once CUSTOMATIC ADJUSTABLE BEDZ® approves the part is defective or malfunctioning, they will absorb the costs for pre-authorized labor and any transportation costs associated with the repair/replacement of any parts. For this one (1) year warranty to be valid, any and all defective or malfunctioning parts must be returned by the original purchaser (or by an authorized CUSTOMATIC ADJUSTABLE BEDZ® in-home technician or agent) to CUSTOMATIC ADJUSTABLE BEDZ's® Customer Care Center within 15 days of purchaser receiving replacement parts.

YEARS 2 AND 3: FULL COVERAGE OF PARTS ONLY.

After the first year from the warranty commencement date, and up to three (3) years from the warranty commencement date, CUSTOMATIC ADJUSTABLE BEDZ® will provide replacement parts for any defective or malfunctioning adjustable bed part upon receiving written notice from the original purchaser. This two (2) year warranty is only valid once any and all defective or malfunctioning parts are returned by the original purchaser to CUSTOMATIC ADJUSTABLE BEDZ's® Customer Care Center within 15 days of purchaser receiving replacement parts. The original purchaser is responsible for all service, transportation, labor and shipping & handling costs related to the delivery and/or replacement of the defective or malfunctioning part(s).

YEARS 4 THROUGH 20: PRORATED COVERAGE OF NON ELECTRICAL PARTS ONLY.

After the third year of the warranty commencement date, and up to twenty (20) years from the warranty commencement date, CUSTOMATIC ADJUSTABLE BEDZ® will issue replacements (upon terms and conditions described below) for any mechanical bed part found to be defective or malfunctioning upon receiving written notice from the original purchaser. This does not apply to electronics, electrical components, massage motors and lift motors. Purchaser will be required to pay 1/17th of the (then) current replacement cost of the part multiplied by the number of years past the third year from the warranty commencement date. CUSTOMATIC ADJUSTABLE BEDZ® will take responsibility for the remaining cost of the replacement part. This seventeen (17) year warranty is only valid once any and all defective or malfunctioning parts are returned by the original purchaser to CUSTOMATIC ADJUSTABLE BEDZ's® Customer Care Center within 15 days of purchaser receiving replacement parts. Purchaser holds responsibility for all labor and transportation costs related to the replacement of the defective part up to twenty (20) years after the commencement date. After the twentieth year, purchaser will be responsible for the entire cost of repair and replacement of all defective parts and materials, including service and transportation costs associated with the repair or part replacement.

ARHAUS®

your home

ADDITIONAL TERMS AND CONDITIONS

This warranty is considered void: 1) if any damage to the adjustable bed is caused by the purchaser; 2) if any unauthorized repair or replacement of parts has taken place; 3) if the adjustable bed has been handled incorrectly in transit or otherwise, subjected to physical or electrical abuse or misuse, or otherwise operated in a way that does not adhere to the guidelines for proper operation and maintenance outlined in the Owner's Manual, this warranty, and any other applicable text published or approved by CUSTOMATIC ADJUSTABLE BEDZ®; 4) in relation to any damage to mattresses, fabric, cables, electrical cords or items supplied by dealers. Contact the dealer or relevant party for warranty information on these items; 5) if any unnecessary service calls have taken place, including fees for in-home service calls solely for the consumer's educational purposes or for finding an unsatisfactory power connection; 6) if the recommended weight restrictions (Twin/TXL/Split QN/Split CA King: 575 Pounds, Full/FXL: 600 Pounds, Queen: 650 Pounds) and guidelines for proper distribution of weight outlined in the Owner's Manual are not followed. Repairs to or replacement of the adjustable bed or its components under the terms of this limited warranty will apply to the original warranty period and will not serve to extend such period. The decision for the repair or replacement of defective parts under this warranty is at the option and sole discretion of CUSTOMATIC ADJUSTABLE BEDZ®.

REPAIR OR REPLACEMENT OF ADJUSTABLE BED PARTS WILL BE THE SOLE REMEDY OF THE PURCHASER. CUSTOMATIC ADJUSTABLE BEDZ®, AND THEIR PARENTS, SUBSIDIARIES, DIVISIONS, AFFILIATES OR AGENTS HOLD ABSOLUTELY NO OR ANY SPECIAL, INDIRECT, INCIDENTAL, OR CONSEQUENTIAL DAMAGES OR FOR ANY OTHER DAMAGE, CLAIM, OR LOSS NOT EXPRESSLY COVERED BY THE TERMS OF THIS WARRANTY.

No reimbursement will be made to the purchaser for inconvenience, removal, installation, setup time, lack of use, shipping, or any other costs or expenses not covered by this warranty. CUSTOMATIC ADJUSTABLE BEDZ® does not hold responsibility for in-home service on adjustable beds. You must contact your dealer or party that sold the adjustable bed for any terms and conditions relating to their in-home service, should any exist.

CUSTOMATIC ADJUSTABLE BEDZ®, AND THEIR PARENTS, SUBSIDIARIES, DIVISIONS, AFFILIATES OR AGENTS MAKE NO OTHER WARRANTY WHATSOEVER, EXPRESS OR IMPLIED. ALL IMPLIED WARRANTIES OF MERCHANTABILITY AND FITNESS FOR A PARTICULAR PURPOSE ARE DISCLAIMED BY NAME AND EXCLUDED FROM THIS AGREEMENT.

The above limitation or exclusion may not apply to every purchaser as some states disallow exclusions or limitations of incidental or consequential damages. This warranty allows the purchaser specific legal rights. The purchaser may also have other rights, which can vary from state to state. This warranty is valid in the contiguous United States, and includes Alaska, Puerto Rico and Canada.

*TO ACTIVATE YOUR WARRANTY, YOU MUST REGISTER YOUR PRODUCT UPON DELIVERY USING THE FORM BELOW OR BY VISITING: [HTTP://WWW.BEDFRAMES.COM/RIZE/RIZE-REGISTRATION](http://www.bedframes.com/rize/rize-registration)

For additional accessories and customer service, please call 1.800.333.8333

ARHAUS®

your home

WARRANTY REGISTRATION FORM

name: _____

address: _____

address: _____ phone: _____

email: _____ city: _____

state: _____ zip code: _____

store where purchased: _____ bed serial no.: _____

invoice No.: _____

SURVEY

gender: male age: 18-30 31-40female 41-50 51-60 61-70 71 & UP

reason for purchasing an adjustable bed:

 health comfort other

how did you find out about CUSTOMATIC Bedz:

 advertising a friend store article/review internet other

PLEASE MAIL TO: CUSTOMATIC Adjustable Bedz® Customer Care Center, PO. BOX 10909, Riviera Beach, FL 33419 USA

ARHAUS®

your home

retreat deluxe motion base



King
80" w x 80" d x 15" h
50KGMOTBS
*King bases are split.



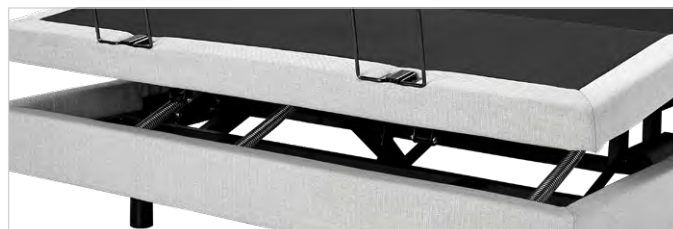
Queen
60" w x 80" d x 15" h
50QNMOTBS
*Queen split bases are available as special order.

turn your mattress into a luxury retreat.

Designed to accommodate our Retreat Mattress Collection, our Deluxe Motion Bases allow you to adjust the angle and shape of your mattress to match your personal comfort preferences. With the simple touch of a button and a wide range of positions, your bed will be the ideal lounge for reading, watching movies or working on your laptop. With engineered ergonomic support, this sleep system will help you slumber more restfully and help reduce snoring. Plus, our motion base features relaxing massage functionality with Three Wave, one-touch massage settings.

product details

- ▶ Features adjustable positioning and three pre-programmed positions with one-touch controls.
- ▶ Includes anti-snore and lower-back-soothing positions.
- ▶ Advanced Lounge feature lowers the leg section to take stress and tension off your lower back.
- ▶ Three Wave Massage functions include soothing vibration and invigorating massage settings.
- ▶ A/C power outlets are built into each side for mobile device chargers and bedside electronics.
- ▶ Wireless remote included. King includes two.
- ▶ Under-bed LED nightlight can be turned on to illuminate the surrounding floor at night.
- ▶ Deck-on-deck construction utilizes a motion deck integrated with a support deck for superior stability.
- ▶ Features gravity-release safety features, battery backup and an easily accessible, extended, control box.
- ▶ Polished steel corner brackets hold your mattress securely in place.
- ▶ Includes adjustable headboard brackets.
- ▶ Designed for use with King or Queen Retreat Mattresses.
- ▶ Compatible with all Arhaus non-platform beds.
- ▶ King bases are split and can operate as a single unit or as two independent halves.
- ▶ For halves of a split base to function independently, they must be used with a split mattress.
- ▶ Queen split bases are also available as special order.
- ▶ Mattresses are sold separately. King and Queen split mattresses are available as special order.
- ▶ Recommended lift capacity: 650 pounds per unit.
- ▶ Split-king and split-queen bases can lift up to 1,300 pounds.
- ▶ 20-year premium limited warranty. (Register at <http://www.bedframes.com/rize/rize-registration>)
- ▶ For additional accessories and customer service call: 1.800.333.8333
- ▶ UL, ETL and Energy Star certified and approved.



retreat deluxe motion base | retreat mattress collection | made in America

Dimensions may vary slightly. Please ensure furnishings fit through interior structures and into desired space before purchase.

ARHAUS®

your home

accessories & replacement parts

Stackable 2" Leg Extension	917070EXTEND
Stackable 2" Leg Extension (4 pack)	SKU
4" Leg	SKU
4" Leg with Adjustable Glide	SKU
4" Leg with Caster	SKU
4" Leg with Caster (4 pack)	SKU
6.5" Dark Mahogany Wood Leg (4 pack)	SKU
6.5" Black Leg with Black Plug Glide (4 pack)	SKU
Caster	SKU
Caster (4 pack)	SKU
Velcro Strap for Wood Leg	SKU
Velcro Strap for Metal Leg	SKU
Glide for Adjustable Leg	SKU
Headboard Brackets (2 pack)	SKU
Corner Mattress Retainer Clips (2 pack)	SKU
Wireless Remote	SKU
Hardware/Tool Blister Pack	SKU

ARHAUS®

your home

WARRANTY

20-YEAR PREMIUM LIMITED WARRANTY FOR ADJUSTABLE BEDS

CUSTOMATIC ADJUSTABLE BEDZ®, (CUSTOMATIC ADJUSTABLE BEDZ®) warrants this adjustable bed to the consumer who is the original purchaser (the “purchaser,” subject to the terms and conditions set forth herein). This warranty begins on the “warranty commencement date,” or the purchase date for new and unused adjustable beds. For adjustable beds that have been used either as floor or display models, the “warranty commencement date” is the date the bed was manufactured. Therefore, a floor or display model bed is covered by a portion of the limited 20-year warranty. The purchaser must show original proof of purchase for warranty to be valid. If proof of purchase is not presented, CUSTOMATIC ADJUSTABLE BEDZ® holds full right to determine whether the adjustable bed is covered by the warranty. In so doing, CUSTOMATIC ADJUSTABLE BEDZ® has the right to use the manufacturing date as the warranty commencement date.

The 20-Year Limited Warranty is extended solely to the original purchaser. This warranty is not transferrable.

FULL 3-YEAR WARRANTY (PARTS)

This adjustable bed is warranted against defects in the workmanship or materials for a period of three years from the warranty commencement date. Upon notice during the first three years after the warranty commencement date, CUSTOMATIC ADJUSTABLE BEDZ® will replace any defective adjustable bed part based on the criteria listed below.

YEAR 1: FULL COVERAGE OF PARTS & LABOR

This adjustable bed is warranted against workmanship and craftsmanship defects or defective materials for up to one (1) year from the warranty commencement date. When notified by purchaser within the first year, CUSTOMATIC ADJUSTABLE BEDZ® will supply replacements (at no cost to the purchaser) for any defective or malfunctioning adjustable bed part. CUSTOMATIC ADJUSTABLE BEDZ® must authorize that the part is defective or malfunctioning before replacement parts are supplied to purchaser or any labor costs are absorbed. Once CUSTOMATIC ADJUSTABLE BEDZ® approves the part is defective or malfunctioning, they will absorb the costs for pre-authorized labor and any transportation costs associated with the repair/replacement of any parts. For this one (1) year warranty to be valid, any and all defective or malfunctioning parts must be returned by the original purchaser (or by an authorized CUSTOMATIC ADJUSTABLE BEDZ® in-home technician or agent) to CUSTOMATIC ADJUSTABLE BEDZ®'s Customer Care Center within 15 days of purchaser receiving replacement parts.

YEARS 2 AND 3: FULL COVERAGE OF PARTS ONLY.

After the first year from the warranty commencement date, and up to three (3) years from the warranty commencement date, CUSTOMATIC ADJUSTABLE BEDZ® will provide replacement parts for any defective or malfunctioning adjustable bed part upon receiving written notice from the original purchaser. This two (2) year warranty is only valid once any and all defective or malfunctioning parts are returned by the original purchaser to CUSTOMATIC ADJUSTABLE BEDZ®'s Customer Care Center within 15 days of purchaser receiving replacement parts. The original purchaser is responsible for all service, transportation, labor and shipping & handling costs related to the delivery and/or replacement of the defective or malfunctioning part(s).

YEARS 4 THROUGH 20: PRORATED COVERAGE OF NON ELECTRICAL PARTS ONLY.

After the third year of the warranty commencement date, and up to twenty (20) years from the warranty commencement date, CUSTOMATIC ADJUSTABLE BEDZ® will issue replacements (upon terms and conditions described below) for any mechanical bed part found to be defective or malfunctioning upon receiving written notice from the original purchaser. This does not apply to electronics, electrical components, massage motors and lift motors. Purchaser will be required to pay 1/17th of the (then) current replacement cost of the part multiplied by the number of years past the third year from the warranty commencement date. CUSTOMATIC ADJUSTABLE BEDZ® will take responsibility for the remaining cost of the replacement part. This seventeen (17) year warranty is only valid once any and all defective or malfunctioning parts are returned by the original purchaser to CUSTOMATIC ADJUSTABLE BEDZ®'s Customer Care Center within 15 days of purchaser receiving replacement parts. Purchaser holds responsibility for all labor and transportation costs related to the replacement of the defective part up to twenty (20) years after the commencement date. After the twentieth year, purchaser will be responsible for the entire cost of repair and replacement of all defective parts and materials, including service and transportation costs associated with the repair or part replacement.

ADDITIONAL TERMS AND CONDITIONS

This warranty is considered void: 1) if any damage to the adjustable bed is caused by the purchaser; 2) if any unauthorized repair or replacement of parts has taken place; 3) if the adjustable bed has been handled incorrectly in transit or otherwise, subjected to physical or electrical abuse or misuse, or otherwise operated in a way that does not adhere to the guidelines for proper operation and maintenance outlined in the Owner's Manual, this warranty, and any other applicable text published or approved by CUSTOMATIC ADJUSTABLE BEDZ®; 4) in relation to any damage to mattresses, fabric, cables, electrical cords or items supplied by dealers. Contact the dealer or relevant party for warranty information on these items; 5) if any unnecessary service calls have taken place, including fees for in-home service calls solely for the consumer's educational purposes or for finding an unsatisfactory power connection; 6) if the recommended weight restrictions (Twin/TXL/Split QN/Split CA King: 575 Pounds, Full/FXL: 600 Pounds, Queen: 650 Pounds) and guidelines for proper distribution of weight outlined in the Owner's Manual are not followed. Repairs to or replacement of the adjustable bed or its components under the terms of this limited warranty will apply to the original warranty period and will not serve to extend such period. The decision for the repair or replacement of defective parts under this warranty is at the option and sole discretion of CUSTOMATIC ADJUSTABLE BEDZ®.

REPAIR OR REPLACEMENT OF ADJUSTABLE BED PARTS WILL BE THE SOLE REMEDY OF THE PURCHASER. CUSTOMATIC ADJUSTABLE BEDZ®, AND THEIR PARENTS, SUBSIDIARIES, DIVISIONS, AFFILIATES OR AGENTS HOLD ABSOLUTELY NO OR ANY SPECIAL, INDIRECT, INCIDENTAL, OR CONSEQUENTIAL DAMAGES OR FOR ANY OTHER DAMAGE, CLAIM, OR LOSS NOT EXPRESSLY COVERED BY THE TERMS OF THIS WARRANTY.

No reimbursement will be made to the purchaser for inconvenience, removal, installation, setup time, lack of use, shipping, or any other costs or expenses not covered by this warranty. CUSTOMATIC ADJUSTABLE BEDZ® does not hold responsibility for in-home service on adjustable beds. You must contact your dealer or party that sold the adjustable bed for any terms and conditions relating to their in-home service, should any exist.

CUSTOMATIC ADJUSTABLE BEDZ®, AND THEIR PARENTS, SUBSIDIARIES, DIVISIONS, AFFILIATES OR AGENTS MAKE NO OTHER WARRANTY WHATSOEVER, EXPRESS OR IMPLIED. ALL IMPLIED WARRANTIES OF MERCHANTABILITY AND FITNESS FOR A PARTICULAR PURPOSE ARE DISCLAIMED BY NAME AND EXCLUDED FROM THIS AGREEMENT.

The above limitation or exclusion may not apply to every purchaser as some states disallow exclusions or limitations of incidental or consequential damages. This warranty allows the purchaser specific legal rights. The purchaser may also have other rights, which can vary from state to state. This warranty is valid in the contiguous United States, and includes Alaska, Puerto Rico and Canada.

ARHAUS®

your home

TO ACTIVATE YOUR WARRANTY, YOU MUST REGISTER YOUR PRODUCT UPON
DELIVERY USING THE FORM BELOW OR BY VISITING:

[HTTP://WWW.BEDFRAMES.COM/RIZE/RIZE-REGISTRATION](http://www.bedframes.com/rize/rize-registration)

For additional accessories and customer service, please call 1.800.333.8333

WARRANTY REGISTRATION FORM

NAME _____

PHONE _____

ADDRESS _____

ADDRESS _____

CITY _____

STATE _____ ZIP _____

EMAIL _____

STORE WHERE PURCHASED _____

BED SERIAL NO. _____

INVOICE NO. _____

SURVEY

GENDER: M F

AGE: 18-30 31-40
 41-50 51-60
 61-70 71 & UP

REASON FOR PURCHASING AN ADJUSTABLE BED:

HEALTH COMFORT OTHER

HOW DID YOU FIND OUT ABOUT CUSTOMATIC BEDZ:

ADVERTISING A FRIEND STORE

ARTICLE/REVIEW INTERNET OTHER

PLEASE MAIL TO:

CUSTOMATIC ADJUSTABLE BEDZ®

CUSTOMER CARE CENTER

PO. BOX 10909

RIVIERA BEACH, FL 33419 USA



rize

OWNER'S MANUAL



The VERGE

Adjustable Bed Frame

Model Number: RI-AGU-A25-WWMI-US-L-U-SRB-107

This product and all our bedding products are covered by one or more of the following issued and pending U.S. patents including Nos. 7448100, D657157, D663542, D657158, D657156, 8209801, 8209800, D663544, D663543 and other patents pending.

Not responsible for typographical errors. Photos are for illustration purposes only.

Serial Number: _____
(Place your serial number here for ready reference.)

COPYRIGHT® 2017 CUSTOMATIC ADJUSTABLE BEDZ

Table of Contents

Safety Precautions.....1

Parts List.....3

Installation Guide.....4

Hand Control Operation Guide6

Synchronize Installation Guide 8

Troubleshooting 9

Warranty & Registration 11

Model Number: RI-AGU-A25-WWM1-US-L-U-SRB-107

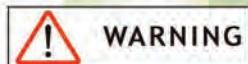


Safety Precautions

ATTENTION!

IMPORTANT SAFETY INSTRUCTIONS.

PLEASE READ THESE INSTRUCTIONS THOROUGHLY BEFORE USING THIS PRODUCT.



WARNING

ELECTRICAL SAFETY

Always unplug this adjustable bed frame from the electrical outlet before any cleaning or maintenance of the bed frame. To safely disconnect, make sure all controls are in the off position, then remove the plug from the outlet.

Keep cord away from heated surfaces. Keep air openings free of lint, hair and the like - never operate when air openings are blocked. Never drop or insert any object into any opening. Use only indoors.

Cease use of this bed frame and contact the Adjustable Bed base center for repair if: (1) it has a damaged cord or plug, (2) it is not working properly, (3) it has been dropped or damaged, or (4) it has been dropped into water.

GROUNDING SAFETY

To reduce the risk of electric shock, electrical fire, or faulty operation of this product, your Adjustable Bed features a polarized plug meant to be used only with a grounded electrical outlet. If this plug does not fit into your outlet, contact a qualified electrician to install a properly grounded outlet. Failure to use a properly grounded outlet for this product will compromise this important grounding safety feature. The use of adapters is not recommended unless the outlet is checked by a qualified electrician to ensure the proper grounding of the adapter. Please note: Unauthorized modifications to this product could void the electrical portion of your warranty.

WARRANTY WARNING!

This bed is specifically designed to require no maintenance by you, the user. Any opening or tampering with the control box, motors or hand controls (with the exception of the battery compartment if equipped) will result in a void of the warranty. Only those authorized may conduct repairs or part replacement on your adjustable bed.



FOR OPTIMAL SAFETY, YOUR ADJUSTABLE BED SHOULD BE PLUGGED INTO A SURGE PROTECTOR

(not supplied with this Adjustable Bed).

IN-HOME USE ONLY

This Adjustable Bed is designed exclusively for in-home use.

HOSPITAL DISCLAIMER: It is **NOT** designed for hospital use and is **NOT** designed to meet hospital standards. Do not use this bed with **TENT TYPE** oxygen therapy equipment or use near explosive gases.

IMPORTANT SAFETY FEATURES

Weight fail safe feature: In the case that an overload of weight is placed on the head or foot mechanism, the control unit will automatically stop all functions. The control unit will automatically resume all functions 30 seconds after excess weight is removed.

WEIGHT RESTRICTIONS

The recommended weight limits on our adjustable beds are:

Twin/TXL/Split QN/Split CA King: 700 pounds, King/CA King/QN/Full/FXL: 850 pounds

Safety Precautions-cont'd



IMPORTANT SAFETY FEATURES cont'd

Locking caster feature: This Adjustable Bed may be equipped with special locking casters. For your safety, these casters will prevent bed movement when all casters are in the locked position. To lock casters, push down the safety latch on the caster. To resume product mobility, lift the safety latch up.

Please note: If your Adjustable Bed is positioned on a hard floor surface such as hardwood or tile, it is strongly recommended that rubber caster cups or carpet squares are placed under the casters in addition to locking them in place. Casters will not roll when locked, but may slide on an uncarpeted surface.

RADIO FREQUENCY IS 433.92 MHZ.

FCC compliance device complies with part 15 of the FCC Rules. Operation is subject to the following two conditions: (1) This device may not cause harmful interference, and (2) this device must accept any interference received, including interference that may cause undesired operation.

Any change to the antenna or the device could result in the device exceeding the RF exposure requirements and void user's right to operate the device.



WARNING

CONSUMERS WITH PACEMAKERS

It is possible that the (optional) vibrating feature of this bed may be misinterpreted by some pacemakers as movement and/or exercise. This is common with any product that produces a vibrating motion, and may or may not affect your pacemaker. Please consult your physician with any concerns.

PRODUCT RATINGS

Lift Motor Restrictions: The lift motors in this bed are NOT designed to operate continuously for more than three (3) minutes over a thirty (30) minute time period, or approximately 10% duty cycle. To ensure reliable functionality and full life of this product, do not attempt to exceed these limits.

NOTE: Attempting to circumvent or exceed this rating will shorten the life expectancy of the product and may void the warranty.

The structure of the bed will support the recommended weight when distributed evenly across the bed. **The head and foot sections are not designed to individually support or lift this amount of weight.** For optimal performance, entering and exiting the adjustable bed with the bed in the flat or level position is recommended.

NOTE: Exceeding the recommended weight restrictions could damage your adjustable bed and void your warranty.



WARNING

SMALL CHILDREN AND PETS WARNING

Immediately dispose of all packing materials as it can pose a smother risk to small children and pets. Injury could occur also if children or pets are permitted to play on or under the bed. Do not allow children to operate this bed without adult supervision.

SAVE THESE INSTRUCTIONS!

Proper operation of your Adjustable Bed is necessary to ensure the long life and durability you expect from a high-quality product. The manufacturer has tested and inspected this product prior to shipment.

Parts List

NOTE: Before discarding any packing materials, check the adjustable bed frame carton and verify all items in the parts list are included:



A. Remote Control (1)



B. Quick Slide Mattress Retainer (1)



C. Head Bed Leg (2)



D. Lounger Bed Leg (2)



E. Bed Leg Attachment for Lounger Leg (2)



F. Spring Washer (2)



G. Knob Screw (2)



H. Middle Leg (2)*



I. 5/16" Nut (2)**



J. Wrench (1)**



K. Retainer Bolt (2)**



L. Velcro Leg Strap (1) *



M. AAA Batteries (3)

* Only in TXL, SCK, and SQ models

** Available for K & CK Model Sizes

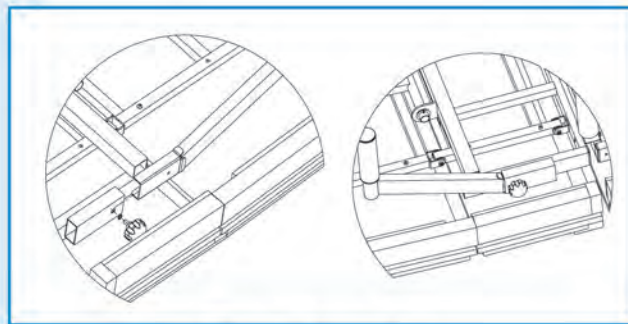
Installation Guide

STEP 1. For safety reasons, the following should be performed by 2 people. Carefully lift the bed frame unit out of the shipping carton with the top side facing downward.

STEP 2. For this step, you will need: bed legs and attachments (C, D and E), spring washers (F), and knob screws (G), which can be found in the accessories box. First, twist the head bed legs (C) in a clockwise direction into the threaded holes in the frame. Next, thread the bed leg attachments for the lounge legs (E) into the pre-drilled hole on each lounge bed leg (D). Thread each lounge bed leg (D) into the C-channel frame. Make sure the leg opening is facing inside the frame. Then, insert a knob screw (G) fitted with a spring washer (F) into the predrilled hole in the C-channel frame and through the lounge bed leg. Hand tighten the knob screw in place. Repeat with the remaining lounge bed leg.



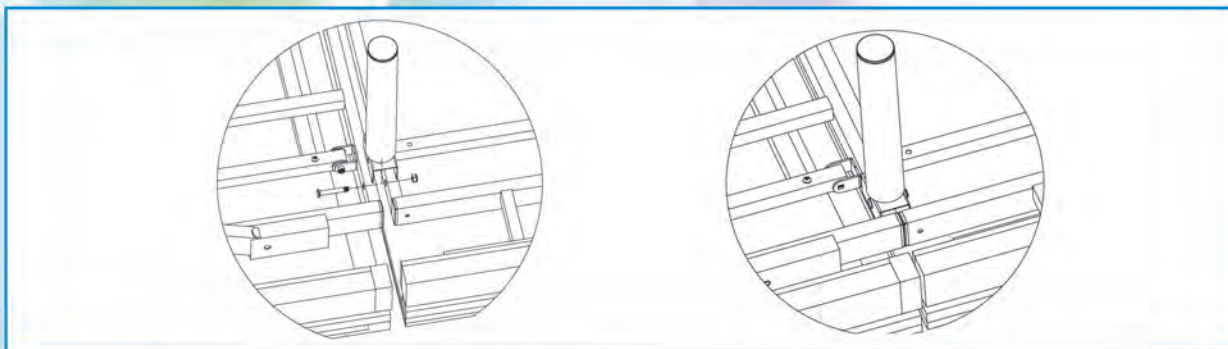
Head Section



Foot Section

TIGHTEN THE LEGS SECURELY TO THE FRAME. DO NOT OVERTIGHTEN THE BED LEGS.
 If the Verge Adjustable Base is not a King or a California King in size, please skip ahead to step 5 below.

STEP 3. In order to install the middle legs (H), move the head and foot sections of the adjustable base together, lining up the predrilled slotted holes of the frame. Next, insert a retainer bolt (K) fitted with a 5/16" washer (I) into the predrilled slotted holes through the round holes on the C bracket of the middle leg. Tighten 5/16" washer (I) using provided wrench (J) to ensure stable assembly.



STEP 4. Insert the foot motor's red plug into the control box. Please refer to Figure A.

STEP 5. Remove and extend the power cord from the frame.

Important! MAKE SURE POWER CORDS DO NOT OBSTRUCT ANY ADJUSTABLE BED MECHANISMS.

NOTE: For optimal safety, a surge protector should be used (not supplied with this Adjustable Bed).

STEP 6. Take plastic wrapping off the base frame.

STEP 7. Carefully rotate the base frame over so the top side is facing upward. Be careful not to rest the frame on its side. The weight may damage the legs.

STEP 8. Plug the power cord into a grounded electrical outlet.

STEP 9. Install batteries in hand unit. If the hand unit is a wired unit, no batteries are needed.

Try all functions on the hand control to ensure all features are operational.

If the bed does not work, refer to Troubleshooting on page 9.

STEP 10. Return bed to flat or level position.



Figure A

Installation Guide

IMPORTANT NOTES:

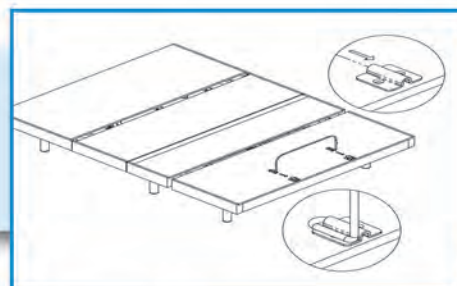
Failure to follow the installation steps as they appear in this guide could result in damage to your adjustable bed frame. Make sure to position the bottom of the headboard cross member no more than 3 inches (76.2 mm) between the headboard and the top of the mattress.

This model does not include a headboard bracket kit. Headboard bracket kit can be purchased separately by contacting your authorized retailer.

STEP 11. Attaching the "Quick-Slide" Mattress Retainer Bracket

Fasten the "Quick-Slide" mattress retainer bracket (B) to the foot of the bed base using the "Quick-Slide" Slide method illustrated below. (No tools or screws are required)

Simply position the open ends of the Retainer Bracket directly aligned with the "Loop" Retainer Anchors already installed to the foot of the base surface. Slide the Retainer Bracket forward allowing the open ends to glide into the loop.



If A Headboard Is To Be Installed, Proceed to Step 12 or Step 13

STEP 12. Assemble the Headboard Bracket

i. For safety reasons, the following should be performed by 2 people. Carefully flip the bed frame unit over with the topside facing downward.

ii. Unthread leg at the head of the bed frame by twisting the leg counter-clockwise.

iii. Slide the inner headboard bracket over the hole for the leg attachment. (The bracket opening should face away from the bed frame). Screw the leg back in, turning clockwise. This will secure the inner headboard bracket between the bed frame and the leg.

iv. Place the open side of the outer headboard bracket onto the exposed square tube of the inner headboard bracket to create a tight fit. Insert a retainer bolt fitted with a 5/16 inch washer into the outer headboard bracket and through the inner headboard bracket. Tighten the 5/16 inch washer and 5/16 inch nut with an Allen key wrench. Leave loosen enough for adjusting.

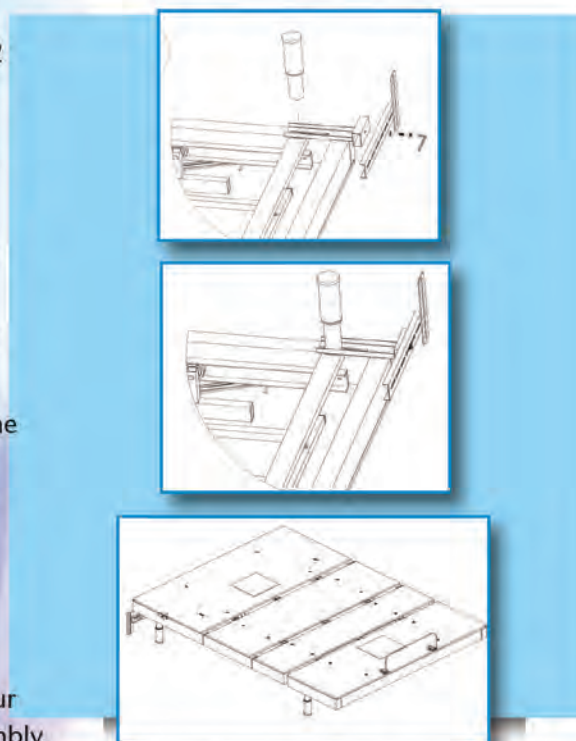
v. Repeat steps ii – iv on the other side.

vi. Securely fasten the headboard bolts (not included with your adjustable bed frame) to the end of the headboard bracket assembly.

vii. Measure the distance from the center of one mounting hole in the headboard assembly to the center of the other.

viii. If you need to adjust the headboard brackets, unscrew the bolts holding the outer headboard bracket and move them the necessary distance. Reinstall the bolts and securely tighten.

STEP 13. Place your mattress on the adjustable bed frame surface. Your adjustable bed and headboard installation is now complete. If the bed comes with a programming option, turn to the Wireless Hand Control Operation Guide to proceed.



Velcro Leg Straps* (Optional: To avoid Base Separation)



To help prevent separation when using King Size (2 TXL) California King Size (2 SCK) or split Queen Size (2 SQ).

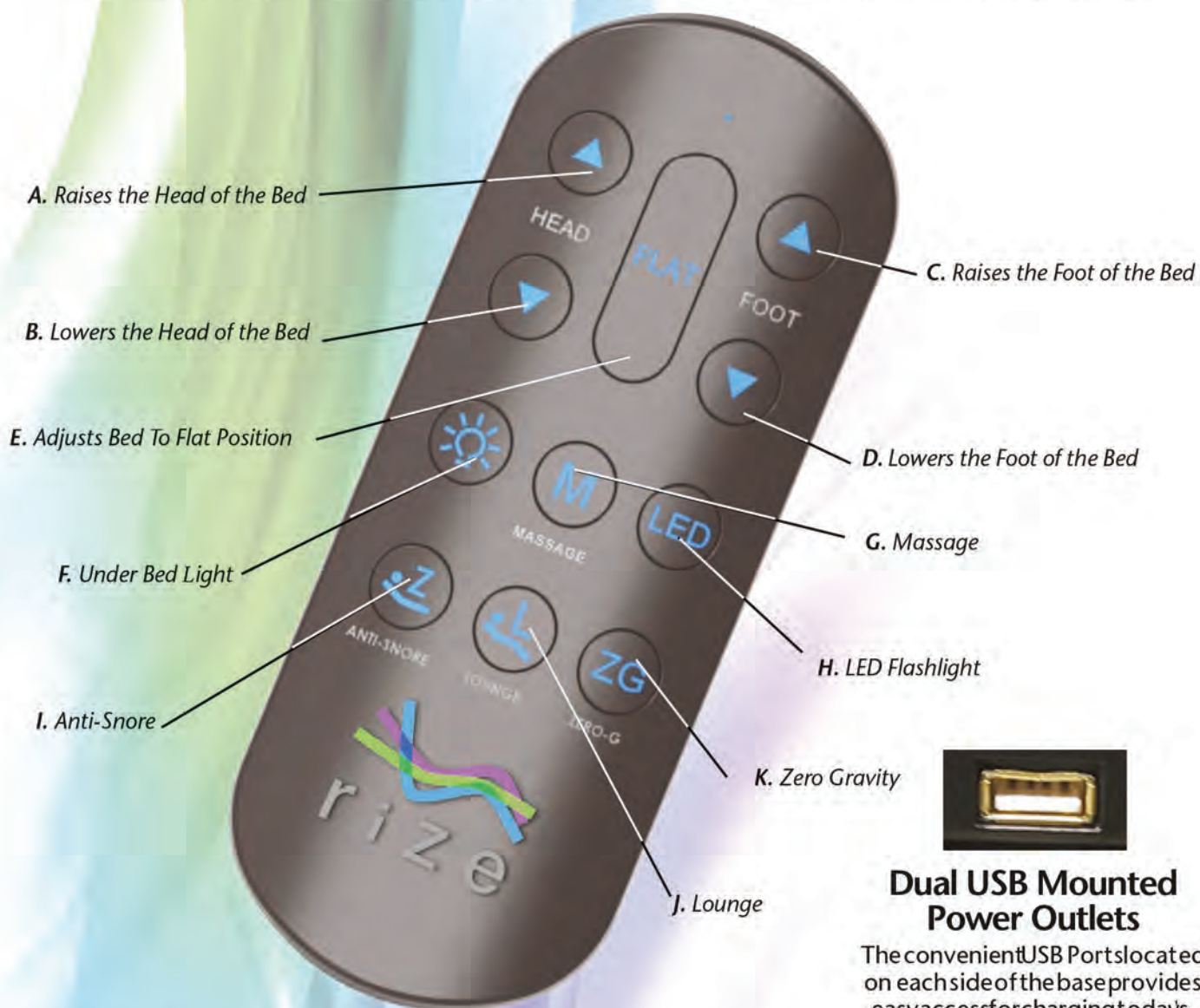
Please use the enclosed Velcro Straps.

1. Simply wrap the legs together (Front & Back) tightly using the velcro straps.

2. Fastening the straps will help prevent movement & maintain stability.

* Only included with TXL, SCK, and SQ models.

Wireless Hand Remote Operation



Dual USB Mounted Power Outlets

The convenient USB Ports located on each side of the base provides easy access for charging today's tech devices.

Head and Foot Position Adjustments (A, B, C, D)

- Press & Release button to raise or lower the head and foot sections of your adjustable bed.

Bed "Flat" Button (E)

- Press down and hold for 2 seconds to return bed to the flat position.

Under Bed Light (F)

- Press the button to turn on or off the under bed light.

Massage (G)

- Press to activate massage. Press Massage button a second time to increase the intensity. Press the Massage button a third time to increase the intensity to the maximum limit. Press the massage button a fourth time or keep holding the massage button to stop massage.

FOR YOUR SAFETY, READ THE OWNER'S MANUAL CAREFULLY AND COMPLETELY BEFORE OPERATING THIS PRODUCT. ELECTRIC SHOCK MAY OCCUR IF ELECTRICAL COMPONENTS ARE NOT INSTALLED OR OPERATED ACCORDING TO THESE GUIDELINES.

Wireless Hand Remote Operation *Continued*

LED Flashlight (H)

- Press the button to turn on or off the flashlight on your remote.

Anti-Snore Relief (I)

- Press to gently raise head section to allow easier air intake which can help reduce snoring.

Lounge (J)

- Press to lower your legs and raise your head to relax in a lounge position.

Zero Gravity (K)

- This function allows your legs to be lifted to a position slightly higher than the chest. This allows blood to flow back to the heart, reducing stress and fatigue.

Remote Features

- The Wireless Adjustable Bed uses a RF (Radio Frequency) hand control system.

NOTE: *If the massage motors are operating and the "FLAT" button (E) is pressed, the massage motors will stop operating during the lowering of the bed frame.*

- When pressed, the buttons are backlit, to aid in the visibility of the remote in low light environments.
- It is not necessary to face the bed to operate the remote control. Remote signal is best transmitted within 9 feet (3 meters) of the bed.

NOTE: *This bed may show minor intermittent performance because of typical RF interference. This is normal in the operation of the bed, not a defect.*

Safety

- In the case that an overload of weight is placed on the head or foot mechanism, the control unit will automatically stop all functions. The control unit will automatically resume all functions 30 seconds after excess weight is removed.
- Massage motors will automatically shut off after running continuously for 15 minutes. All massage functions will be operational again after 5 minutes. Automatic Shut Off will occur after 15 minutes of continuous use.

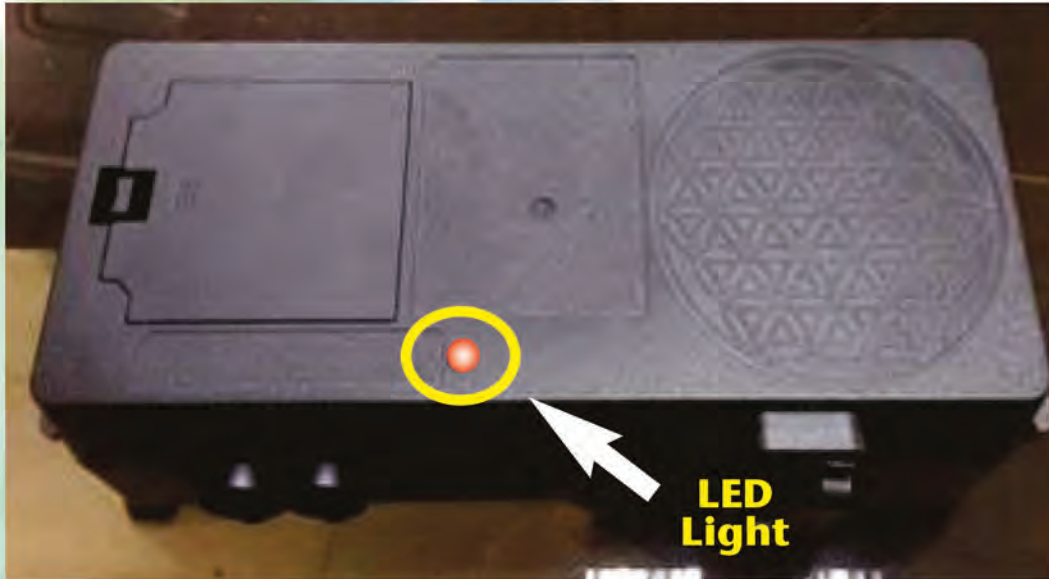
Notice: The changes or modifications not expressly approved by the party responsible for compliance could void the user's authority to operate the equipment.

Important Note: To comply with the FCC RF exposure compliance requirements, no change to the antenna or the device is permitted. Any change to the antenna or the device could result in the device exceeding the RF exposure requirements and void user's authority to operate the device.

THIS DEVICE COMPLIES WITH PART 15 OF THE FCC RULES. OPERATION IS SUBJECT TO THE FOLLOWING TWO CONDITIONS: (1) THIS DEVICE MAY NOT CAUSE HARMFUL INTERFERENCE AND (2) THIS DEVICE MUST ACCEPT ANY INTERFERENCE RECEIVED, INCLUDING INTERFERENCE THAT MAY CAUSE UNDESIRE OPERATION.

Pairing Guide to Synchronize Two Beds

Your adjustable base is pre-programmed to your remote. However, to operate two adjustable bases together, you must pair both to one remote. Make sure your first adjustable base (Base A) is plugged in before focusing on your second adjustable base (Base B). Please follow the steps below to complete the pairing:



Step 1 - Plug in Base B to an AC power outlet (surge protector is recommended). Once plugged in, the LED light on the control box will blink three times, which indicates the control box has entered Learning Mode. Learning Mode lasts seven seconds.



Step 2 - During Learning Mode, use Remote A to press the "Under Bed Light" and "Head Up" keys together for three seconds.

Step 3 - The LED light on the control box will light up and remain on, which means the pairing is successful.

Now Base A & B will function with Remote A and the pairing of the two adjustable bases is complete.

To Reset Your Pre-Programmed Remote:

Step 1 - Unplug the AC power.

Step 2 - Press and hold the FLAT button (without release) to continue sending signal.

Step 3 - Plug in the AC power and wait for 7 seconds, then release the FLAT button. (Please Note: The control box must receive FLAT signal from the remote for at least 5 seconds after the AC power is plugged back in).

Step 4 - The reset is complete.

Troubleshooting

In the event the adjustable bed fails to operate, investigate the symptoms and possible solutions provided in the chart below:

SYMPTOM

SOLUTION

Adjustable Base Does Not Operate

1. Is the power cord plugged into a working and grounded electrical outlet?
2. Check the remote to see if it is lighting up.
3. Check the light on the control box is on.
4. Disconnect the adjustable base from electrical socket.
5. Keep unplugged for one minute.
6. Plug back into electricity (NOTE: surge protector is recommended).
7. Wait one minute.
8. Press any button on the remote and hold until light on the remote illuminates.
9. Wait several seconds.
10. Adjustable base should be working.
11. Still not operating? Re-program the remote.

The Remote Does Not Work/Light Up

1. Remove batteries.
2. Leave the batteries out for 30 minutes.
3. Scratch terminals of the inside of the remote with a coin or key.
4. Put fresh batteries inside the remote.
5. Remote should light up.

The Adjustable Base Is Squeaking

1. Remove nuts, bolts, and white bushings.
2. Lubricate them by applying the grease with a Q-tip (Lubrication can be obtained by contacting Customatic's Customer Care Center).
3. When placing lubricated nuts, bolts, and white bushings back onto the adjustable base, make sure that there is a looser tightening on the nut.
4. Additional Solution: After completing these steps, spray the nuts, bolts, and white bushings with a lubricant (WD-40).

The Adjustable Base Stutters While in Motion

1. Clear any clutter or obstructions under and around the adjustable base. Radio frequency interference from other remotes or electronic devices may affect normal operation.
2. Check batteries in remote and replace if necessary.
3. Assure the keys on remote are being pressed firmly down to have the base operate.

Troubleshooting *Continued*

In the event the adjustable bed fails to operate, investigate the symptoms and possible solutions provided in the chart below:

SYMPTOM	SOLUTION
Underbed Lighting Is Alternating	<ol style="list-style-type: none"> 1. Unplug the base where the light is not working. 2. Turn the underbed lighting of fusing remote. 3. Plug base back into electricity. 4. Wait one minute. 5. Press any button on the remote. 6. Wait 3 seconds. 7. Lights should be working together.
Massage Motors seem excessively Loud during operation.	<ol style="list-style-type: none"> 1. Hard surface flooring may cause added vibration. To correct, place carpet pieces or rubber Furniture Cups under each leg or caster of the bed. 2. Elevate the head or foot section a short distance (with the hand control) to realign the lift/lower mechanisms with the bed support platform. 3. Check that the bed is not in direct contact with a wall, nightstand, or other object that may cause vibration or noise. 4. If Adjustable Bed is installed on top of a bed frame, check that the massage motors are not causing bed frame (or bed frame components) to vibrate or rattle. 5. Check that the headboard attachment hardware is tightened firmly (if used).

IF YOU EXPERIENCE ANY TROUBLE WITH YOUR BED FRAME WITHIN THE WARRANTY PERIOD, PLEASE CONSULT THE TROUBLESHOOTING GUIDE PROVIDED WITH YOUR FRAME AND ONLINE (IF APPLICABLE). IF PROBLEMS PERSIST, PLEASE CALL:

**CUSTOMER SERVICE TOLL FREE NUMBER
1-843-800-8372**

Please Have Your Receipt Ready And Available

THANK YOU AND ENJOY YOUR ADJUSTABLE BED FRAME!

WARRANTY

5-Year Limited Warranty For Adjustable Bed Frames

PPJ, LLC (“CUSTOMATIC”) WARRANTS THAT IT WILL, AT CUSTOMATIC’S OPTION, REPLACE OR REPAIR PURCHASER’S CUSTOMATIC™ SYSTEM IF IT IS DEFECTIVE DUE TO FAULTY WORKMANSHIP OR MATERIALS, SUBJECT TO THE LIMITATIONS DESCRIBED IN THIS WARRANTY. CUSTOMATIC UNDERTAKES NO RESPONSIBILITY FOR THE QUALITY OF THE GOODS EXCEPT AS OTHERWISE PROVIDED IN THIS CONTRACT. THERE ARE NO WARRANTIES THAT EXTEND BEYOND THE DESCRIPTION ON THE FACE THEREOF.

THIS WARRANTY APPLIES ONLY TO THE MODELS OF THE CUSTOMATIC® CUSTOMATIC™ SYSTEM LINE. THESE MODELS MAY BE IDENTIFIED BY REFERENCE TO THE SERIAL NUMBER ON THE PRODUCT

YEARS 1 THROUGH 5: FULL COVERAGE OF PARTS AND LABOR

CUSTOMATIC models are warranted against defects in the workmanship or materials for a period of five (5) years from the warranty commencement date. During these first five years of the warranty, the entire product is so covered, including factory supplied electronics, electrical components, drive motors, Wi-Fi module, power supply and power supply cords, and massage motors. Upon notice during the first through fifth year from the warranty commencement date, CUSTOMATIC will send replacement parts to the Purchaser, at no cost, in order to replace any such defective part. In addition, CUSTOMATIC will pay all authorized labor and transportation costs associated with the repair or replacement of any parts which CUSTOMATIC determines to be defective. This five (5) year warranty shall not apply if the Purchaser does not return any and all defective parts to CUSTOMATIC within 15 days of Purchaser’s receipt of such replacement parts furnished. Return of the frame, however, should it need to be replaced, may be required.

In no instance will this warranty cover any damage attributable to misuse or to normal wear and tear or to excessive weight placed upon the product. Nor will this warranty cover any purchaser other than the original purchaser nor will it cover product purchased from an unauthorized third party. If you are not the original purchaser of this product, you take “as is” and “with all faults.” Purchases of “Floor Models” are regarded “as is” products & subject to the terms thereof. If you did not purchase this CUSTOMATIC™ System directly from CUSTOMATIC or any of its approved authorized distributor/retailer dealers, we will require proof of purchase from you demonstrating that you are the original purchaser and are eligible to make a valid claim under this Warranty.

FRAME ONLY—LIFETIME WARRANTY

Notwithstanding the above, CUSTOMATIC extends a LIFETIME WARRANTY on the frame itself used in this product. Specifically, CUSTOMATIC warrants that for a full 20 years, the estimated life of the frame, any defect in the workmanship or the materials used in the frame itself shall be covered. The 20-year time span will be dated from the commencement of this warranty. For purposes of this Lifetime Warranty, the frame consists of the metal structure of the base and specifically excludes its cover, its side rails, decking and legs, actuator lift motors, massage motors, control box, remote controls, Wi-Fi modules, power supply, and any power supply cords. Return of the frame should it need to be replaced, is not required.

ADDITIONAL TERMS AND CONDITIONS

In no instance will this warranty cover any damage attributable to misuse or to normal wear and tear or to excessive weight placed upon the product. Nor will this warranty cover any purchaser other than the original purchaser nor will it cover product purchased from an unauthorized third party. If you are not the original purchaser of this product, you take “as is” and “with all faults.” If you did not purchase this CUSTOMATIC® System directly from CUSTOMATIC or an Authorized Dealer, we will require proof of purchase from you demonstrating that you are the original purchaser and eligible to make a valid claim under this Warranty.

This warranty does not include coverage for damage caused by the Purchaser or by other users, if the product has been used in a manner inconsistent with the operation and maintenance procedures outlined in the Owner’s Manual, this Warranty, or any other applicable document published or approved by CUSTOMATIC.

Nor does it include coverage if the product has been repaired or modified by the Purchaser or by an unauthorized third party or if the product has been damaged in transit.

This warranty does not apply to damage to mattresses, fabric, cables, electrical cords or items supplied by Resellers, as defined below. Contact the Reseller or other appropriate party for warranty information on these items. Nor does this warranty apply to any unnecessary service calls, including costs for in-home service calls solely for the purpose of educating the consumer about the unit or finding an unsatisfactory power connection. In addition, if the recommended weight restrictions are not followed (Twin, Twin Long, Double, Queen, Split/Dual Queen, and Split/Dual CA King bases – up to 850 lbs. each.), this warranty is void.

Replacement parts may be new or reconditioned at CUSTOMATIC’s discretion.

Except for the Lifetime Warranty provided for the frame of this product, there is no warranty at all after five years, dating from commencement of this Limited Warranty.

Additional Limitations on Warranty Coverage

In the event a warranty claim is filed and a warranty replacement is deemed necessary, Purchaser will be required to surrender the original product, including any components, to CUSTOMATIC at the time of the replacement. Return of the frame, however, should it need to be replaced, may be required.

WARRANTY

Repairs to or replacement of the CUSTOMATIC® System or its components under the terms of this Limited Warranty will apply to the original warranty period and will not serve to extend such period. This warranty begins on the "warranty commencement date" which is the date of purchase for new unused products.




If you did not purchase this CUSTOMATIC™ System directly from CUSTOMATIC or an Authorized Dealer, proof of purchase will be required to demonstrate that you are the original purchaser and eligible to make a valid claim under this Warranty. If original proof of purchase is not provided by the Purchaser, CUSTOMATIC reserves the right to determine if the unit is covered, or is not covered, by this warranty and may use the manufacturing date as the warranty commencement date.

The decision to repair or to replace defective parts under this Limited Warranty shall be made by CUSTOMATIC at its option and at its sole discretion. Except for the Lifetime Warranty provided for the frame of this product, there is no warranty at all after five years, dating from commencement of this Limited Warranty.

CUSTOMATIC SHALL NOT BE LIABLE FOR INCIDENTAL OR CONSEQUENTIAL DAMAGES RESULTING FROM THE USE OF THIS PRODUCT OR ARISING OUT OF ANY BREACH OF THIS WARRANTY. THE EXCLUSIVE REMEDY FOR BREACH OF THIS WARRANTY SHALL BE REPLACEMENT OR CREDIT TOWARDS REPLACEMENT AS SET FORTH HEREIN. THERE ARE NO EXPRESS OR IMPLIED WARRANTIES, INCLUDING IMPLIED WARRANTIES OF MERCHANTABILITY AND FITNESS FOR A PARTICULAR PURPOSE, OTHER THAN THE WARRANTY DESCRIBED ON THE FACE OF THIS LIMITED WARRANTY.

Some states do not allow the exclusion or limitation of incidental or consequential damages, so the above limitation or exclusion may not apply to every purchaser. This warranty gives the Purchaser specific legal rights, and the purchaser may also have other legal rights, which may vary from state to state. This warranty is valid in all 50 states, Puerto Rico, and Canada.

If you, the Purchaser, experience any problem with your CUSTOMATIC™ System during the warranty period, please consult the troubleshooting section of your Owner's Manual. If problem persists, please contact CUSTOMATIC's Customer Service Department by calling the telephone number located in your manual.

 WARRANTY REGISTRATION FORM	
 by  CUSTOMATIC®	SURVEY
Name _____	Gender: ___ M ___ F
Phone _____	Age: ___ 20-30 ___ 31-40 ___ 41-50 ___ 51-60 ___ 61-70 ___ 71 & up
Address _____	Reason for purchasing an adjustable bed: ___ Health ___ Comfort ___ Other
Address _____	How did you find out about CUSTOMATIC Bedz: ___ Advertising ___ A friend ___ Store ___ Article/Review ___ Internet ___ Other
City _____	
State _____ Zip _____	
Email _____	
Store where purchased _____	PLEASE MAIL TO: CUSTOMATIC Customer Care Center 550 Crescent Blvd., Gloucester City, NJ 08030
Bed Serial No. _____	
Bed Model No. _____	
Invoice No. _____	

**Visit www.rizebeds.com to complete your
Rize Warranty Registration online.**

STEPS-TO-SELL THE RETREAT MOTION BASE

When to introduce this product? The best time is after closing the mattress sale by saying “I would like to make this more comfortable for you.”

Set up the scenario for your client. Imagine you just got home from work. You’ve been on your feet or at your desk all day. The kids are in their rooms. The pets are asleep. It’s time to wind down with a glass of wine, or your favorite TV show or book.

Show your client how it works.

1. RAISE THE LOWER BODY

Ask to stop when your customer experiences the pressure relieving sensation in their lower back.

2. RAISE THE UPPER BODY

Ask to stop when your customer senses that it’s easier to breathe or when it is most comfortable.

3. TURN ON THE FOOT MASSAGE

Bring the massage intensity to a low, soothing level of comfort.

4. PROGRAM CUSTOM COMFORT SETTINGS

Secretly program this unique position with massage.

5. EXPAND THEIR USAGE

Elevate the customer’s upper body to a position that makes it easier to watch TV, work on a laptop, or read a book.

6. QUALIFY

Ask open-ended questions to uncover wants, needs and desires.

7. VALIDATE

Apply features of the power foundation as a solution to their wants, needs, and desires.

8. EMOTIONAL CLOSE

Hit the flat button and take their current level of comfort away.

Then ask, “Which feels better—being in a flat position or being in your customized position?”

9. BRING BACK COMFORT

Make the customer happy by returning them to their saved customized position from Step 4.

10. CLOSE THE SALE

Forgo taking them to the desk. Hand the remote to your client and let them enjoy the experience of a power foundation while you set up their delivery and answer additional questions.

PLEASE REFRAIN FROM THE FOLLOWING DURING YOUR DEMO:

- Do not use the head massage during your demo. It can be distracting to the client.
- Do not adjust to extreme positions during the demo.
- Avoid using the word “adjustable mattress” or “adjustable base;” they conjure the wrong image in client’s head.
- While there are health benefits to the Retreat Motion Base, for the typical sale this is considered a luxury purchase.

ARHAUS®

your home

retreat



rest easy

Made in partnership with a family-owned American mattress maker, our Retreat mattresses are handcrafted one at a time to be relaxing yet supportive, cloud-like sleep experiences. Plush and Firm mattresses are supported by our heat-tempered center and quantum edge springs, which provide more responsive movement with edge-to-edge support; while Memory Foam mattresses react to heat and pressure to cradle your body in sink-into comfort. And, Eurotop mattresses allow you to customize your comfort level with pillowtop inserts. Choose from firm, plush, memory foam, or latex inserts—also available in dual options, so you and your partner can both rest easy.

product details

- ▶ In partnership with a family-owned American mattress maker, our Retreat mattresses are handcrafted, one-at-a-time.
- ▶ As a way of being sustainable, while keeping our commitment to quality, leftover pieces of foam or fabric are collected and sent to a company for re-use as carpet backing.
- ▶ Firm, Plush, and Eurotop mattresses feature support systems with individually wrapped, heat-tempered coils to minimize motion transfer. Center coils combined with quantum-edge coils provide edge-to-edge sink-into support for extra comfort and less back and joint pain.
- ▶ All Retreat Mattresses pair perfectly with our Retreat 8" Box Spring or Retreat 4" Platform.
- ▶ Mattress pads are recommended.
- ▶ Eurotop and Memory Foam mattresses include a removable, zip-close cover.
- ▶ Keep your furniture looking its best. Visit arhaus.com or speak to any Arhaus Design Consultant for care recommendations.



ARHAUS®

your home

Plush Mattress

Twin	38" w x 74" d x 12" h	50PLTW
Full	54" w x 75" d x 12" h	50PLFL
Queen	60" w x 80" d x 12" h	50PLQN
King	76" w x 80" d x 12" h	50PLKG
California King	72" w x 84" d x 13" h	50PLCK

Firm Mattress

Twin	38" w x 74" d x 12" h	50FRMTW
Full	54" w x 75" d x 12" h	50FRMFL
Queen	60" w x 80" d x 12" h	50FRMQN
King	76" w x 80" d x 12" h	50FRMKG
California King	72" w x 84" d x 13" h	50FRMCK



plush and firm mattress's

- ▶ Plush and Firm mattresses are covered in a soft, quilted cotton material.
- ▶ Plush/Firm mattresses are covered in a soft, quilted cotton material.
- ▶ Firm mattresses are generously padded with four inches of dense foam with a 35 ILD rating. Plush mattresses have a 15 ILD rating.

Coil Counts

firm & plush mattresses

Full	778 coils
Twin	590 coils
Queen	932 coils
King	1,136 coils
California King	1,280 coils

eurotop mattress

- ▶ Eurotop pillowtop mattresses are generously padded with six inches of comfort foam.
- ▶ Eurotop mattress inserts can be split to accommodate dual comfort preferences.

eurotop inserts

plush & firm poly- foam

- ▶ Foam comfort layer provides support, comfort, and cooling.
- ▶ Firm inserts are padded with 1.8 density foam with a 35 ILD rating.
- ▶ Plush inserts are padded with 1.5 density foam with a 15 ILD rating.

gel memory foam

- ▶ Hybrid Eurotop Mattresses with Gel Memory Foam Inserts offer cooling benefits with the support of inner springs.
- ▶ Memory foam inserts are padded with 3", 5 lb. gel memory foam.
- ▶ Cooling gel veins minimize excess heat.

latex foam

- ▶ Hybrid Eurotop Mattresses with Latex Foam Inserts offer the benefits of memory foam with the support of inner springs.
- ▶ Latex foam inserts are padded with 3" of medium-firm latex foam, known for durability and longevity.
- ▶ Latex—a natural material deriving from rubber tree sap—resists dust mites, bacteria and molds.

Eurotop Mattress

Queen Shell	60" w x 80" d x 13" h	50EUQNSHELL
King Shell	76" w x 80" d x 13" h	50EUKGSHELL
California King Shell	72" w x 84" d x 13" h	50EUCKSHELL

Eurotop Mattress with Firm Insert

Full	54" w x 75" d x 13" h	50EUFRMFL
Queen	60" w x 80" d x 13" h	50EUFRMQN
Split Queen Firm/Plush	60" w x 80" d x 13" h	50EUFRMPLQN
Split Queen Firm/Memory	60" w x 80" d x 13" h	50EUFRMMEQN
Split Queen Firm/Latex	60" w x 80" d x 13" h	50EUFRMLAQN
King	76" w x 80" d x 13" h	50EUFRMKG
Split King Firm/Plush	76" w x 80" d x 13" h	50EUFRMPLKG
Split King Firm/Memory	76" w x 80" d x 13" h	50EUFRMMEKG
Split King Firm/Latex	76" w x 80" d x 13" h	50EUFRMLAKG
California King	72" w x 84" d x 13" h	50EUFRMCK

Eurotop Mattress with Plush Insert

Full	54" w x 75" d x 13" h	50EUPLFL
Queen	60" w x 80" d x 13" h	50EUPLQN
Split Queen Plush/Memory	60" w x 80" d x 13" h	50EUPLMEQN
Split Queen Plush/Latex	60" w x 80" d x 13" h	50EUPLLAQN
King	76" w x 80" d x 13" h	50EUPLKG
Split King Plush/Memory	76" w x 80" d x 13" h	50EUPLMEKG
Split King Plush/Latex	76" w x 80" d x 13" h	50EUPLLAKG
California King	72" w x 84" d x 13" h	50EUPLCK

Eurotop Mattress with Memory Foam Insert

Full	54" w x 75" d x 13" h	50EUMEFL
Queen	60" w x 80" d x 13" h	50EUMEQN
Split Queen Memory/Latex	60" w x 80" d x 13" h	50EUMELAQN
King	76" w x 80" d x 13" h	50EUMEKG
Split King Memory/Latex	76" w x 80" d x 13" h	50EUMELAKG
California King	72" w x 84" d x 13" h	50EUMECK

Eurotop Mattress with Latex Foam Insert

Full	54" w x 75" d x 13" h	50EULAFL
Queen	60" w x 80" d x 13" h	50EULAQN
King	76" w x 80" d x 13" h	50EULAKG
California King	72" w x 84" d x 13" h	50EULAKG

Plush Inserts

Full	50EUPLINFL
Queen	50EUPLINQN
Split Queen	50EUPLINSPQNBox
King	50EUPLINKG
Split King	50EUPLINSPKG
California King	50EUPLINCK

Memory Foam Inserts

Full	50EUMEINFL
Queen	50EUMEINQN
Split Queen	50EUMEINSPQN
King	50EUMEINKG
Split King	50EUMEINSPKG
California King	50EUMEINCK

Firm Inserts

Full	50EUFRMINFL
Queen	50EUFRMINQN
Split Queen	50EUFRMINSPQN
King	50EUFRMINKG
Split King	50EUFRMINSPKG
California King	50EUFRMINCK

Latex Foam Inserts

Full	50EULAINFL
Queen	50EULAINQN
Split Queen	50EULAINSPQN
King	50EULAINKG
Split King	50EULAINSPKG
California King	50EULAINCK

*California King Inserts are available by special order only.



ARHAUS®

your home

memory foam mattress

- ▶ Memory foam mattresses help improve circulation and reduce stress on pressure points.
- ▶ Memory foam mattresses are padded with two inches of denser, 5 lb. memory foam surrounding three inches of cooling, 3 lb. gel memory foam to minimize excess heat.
- ▶ Memory foam mattresses are supported by a five-inch polycore.

Memory Foam Mattress

Full	54" w x 75" d x 10" h	50MEFL
Queen	60" w x 80" d x 10" h	50MEQN
King	76" w x 80" d x 10" h	50MEKG
California King	72" w x 84" d x 13" h	50MECK



box spring and platform

The perfect foundation for your mattress, our Retreat Box Springs and Platforms are designed to accommodate our Retreat Mattress Collection. Constructed of white microfiber. Features metal corner guards—instead of industry-standard plastic—for added longevity.

- ▶ Compatible with all Retreat Mattress options.
- ▶ Box Springs and Platforms feature metal corner guards—instead of industry-standard plastic—for added longevity.
- ▶ We recommend pairing Eurotop mattresses with our Retreat 4" Platform.



4" Platform

Twin	38" w x 75" d x 4" h	50PLATTW
Full	54" w x 75" d x 4" h	50PLATFL
Queen	60" w x 75" d x 4" h	50PLATQN
Split King	76" w x 75" d x 4" h	50PLATKGSPL

2.5" Platform

Twin	38" w x 75" d x 2.5" h	50PLATTW2.5
Full	54" w x 75" d x 2.5" h	50PLATFL2.5
Queen	60" w x 75" d x 2.5" h	50PLATQN2.5
Split King	37" w x 80" d x 2.5" h each	50PLTKGSP2
Split California King	36" w x 84" d x 2.5" h each	50PLTCKSP2



Box Spring

Twin	38" w x 75" d x 8" h	50BXSPTW
Full	54" w x 75" d x 8" h	50BXSPFL
Queen	60" w x 75" d x 8" h	50BXSPQN
Split King	76" w x 75" d x 8" h	50BXSPKGSPL

ARHAUS®

FURNISHING A BETTER WORLD



EUROTOP

retreat mattress collection

made in AMERICA

Customize your sleep destination with our redesigned Eurotop.

The updated pillowtop eliminates the flange (the rim or ridge), presenting a cleaner profile while maintaining the extra comfort. Choose from firm, plush, memory foam or latex inserts available in

dual options so you and your sleeping partner can rest easy with your own individual preferences.

BOX SPRINGS AND PLATFORMS

- ▶ Works universally with all mattress options.
- ▶ Offered in an 8" box spring or a 4" platform.
- ▶ Both feature metal corner guards—instead of industry-standard plastic—for longevity.
- ▶ We recommend the 4" platform for our Eurotop.

ABOUT OUR MATTRESS MAKER

We took the same care and consideration that we do for all of our products in creating your Retreat mattress program. Working with a family-owned business, here in the United States, each one is handcrafted one-at-a-time. Any leftover pieces of foam or fabric are collected and sent to a company for re-use as carpet backing. It's our way of being sustainable, while keeping our commitment to quality.

ARHAUS®

FURNISHING A BETTER WORLD



Euro King

- Plush** 50EUPLKG
- Firm** 50EUFMRMG
- Memory** 50EUMEKG
- Latex** 50EULAKG
- Split Firm/Plush** 50EUFMRPLKG
- Split Firm/Memory** 50EUFMRMEKG
- Split Firm/Latex** 50EUFMRMLAKG
- Split Plush/Memory** 50EUPLMEKG
- Split Plush/Latex** 50EUPLLAKG
- Split Memory/Latex** 50EUMELAKG

Euro Queen

- Firm** 50EUFMRMQN
- Plush** 50EUPLQN
- Memory** 50EUMEQN
- Latex** 50EULAQN
- Split Firm/Plush** 50EUFMRPLQN
- Split Firm/Memory** 50EUFMRMEQN
- Split Firm/Latex** 50EUFMRMLAQN
- Split Plush/Memory** 50EUPLMEQN
- Split Plush/Latex** 50EUPLLAQN
- Split Memory/Latex** 50EUMELAQN

Euro Full

- Firm** 50EUFMRMFL
- Plush** 50EUPLFL
- Memory** 50EUMEFL
- Latex** 50EULAFLL

BOX SPRING & PLATFORM

- Retreat Box Spring Full** 50BXSPFL
- Retreat Box Spring KG Split** 50BXSPKGSPL
- Retreat Box Spring QN** 50BXSPQN
- Retreat Box Spring Twin** 50BXSPTW
- Retreat Platform Full** 50PLATFL
- Retreat Platform King Split** 50PLATKGSPL
- Retreat Platform Queen** 50PLATQN

Choose from firm, plush, memory foam or latex inserts. Dual options available.

	PLUSH	FIRM	MEMORY	EURO	BOX SPRING	PLATFORM
TWIN	38" w x 74" d x 12" h	38" w x 75" d x 12" h			38" w x 75" d x 8" h	38" w x 75" d x 4" h
FULL	54" w x 75" d x 12" h	54" w x 75" d x 12" h	54" w x 74" d x 10" h	54" w x 75" d x 13" h	54" w x 75" d x 8" h	54" w x 75" d x 4" h
QUEEN	60" w x 80" d x 12" h	60" w x 80" d x 12" h	60" w x 80" d x 10" h	60" w x 80" d x 13" h	60" w x 80" d x 8" h	60" w x 80" d x 4" h
KING	76" w x 80" d x 12" h	76" w x 80" d x 12" h	76" w x 80" d x 10" h	76" w x 80" d x 13" h	38" w x 80" d x 8" h	38" w x 80" d x 4" h

product details

- ▶ Insert can be split for dual preferences.
- ▶ Redesigned pillow top features 6 inches of comfort foam.
- ▶ Marshall unit coils create edge-to-edge sink-in support. All heat-tempered coils, center and quantum edge, are individually wrapped pocket coils. The center coils are 15 GA and the quantum edge coils are 16 GA.
- ▶ Pair with our 8" box spring or our 4" platform.
- ▶ King features 1136 coils.
- ▶ Queen features 932 coils.
- ▶ Full features 778 coils.
- ▶ Twin features 590 coils.

POLY FOAM INSERT

- ▶ Choose from firm 1.8 density with 35 ILD OR plush 1.5 density with 15 ILD foam.
- ▶ New advancements in foam comfort layer provide support, comfort and cooling.

GEL MEMORY FOAM INSERT

- ▶ Features 3", 5 lb. gel memory foam.
- ▶ Gel memory foam is the newest technology in foam beds.

- ▶ Cooling gel veins minimize the excess heat present in older technologies.
- ▶ This hybrid bed offers the benefits of memory foam while still giving the support of innersprings.

LATEX FOAM INSERT

- ▶ Features 3" of medium-firm latex foam, known for durability and longevity.
- ▶ Latex—a natural material deriving from rubber tree sap—resists dust mites, bacteria and molds.
- ▶ This hybrid bed offers the benefits of latex foam while still giving the support of innersprings.

recommended care

- ▶ Features removable zipper cover.
- ▶ One-sided; does not need to be flipped.
- ▶ Rotating mattress periodically is recommended.
- ▶ Annual vacuuming will extend the life and cleanliness of this mattress.
- ▶ Mattress pads are recommended.

ARHAUS®

FURNISHING A BETTER WORLD



FIRM

retreat mattress collection

made in AMERICA

A supportive destination for relaxation and rejuvenation.

This handcrafted mattress creates more surface area with its edge-spring Marshall unit system. Unlike traditional innerspring systems, our heat-tempered center and quantum edge springs are individually wrapped pocketed coils, which result in a mattress that is more

responsive to movement with edge-to-edge support. Rest easy with less side-to-side transfer of motion, this collection fits to the contours of the body. A final comfort layer has been redesigned to provide support, comfort and cooling.

BOX SPRINGS AND PLATFORMS

- ▶ Works universally with all mattress options.
- ▶ Offered in an 8" box spring or a 4" platform.
- ▶ Both feature metal corner guards—instead of industry-standard plastic—for longevity.
- ▶ We recommend the 4" platform for our Eurotop.

ABOUT OUR MATTRESS MAKER

We took the same care and consideration that we do for all of our products in creating your Retreat mattress program. Working with a family-owned business, here in the United States, each one is handcrafted one-at-a-time. Any leftover pieces of foam or fabric are collected and sent to a company for re-use as carpet backing. It's our way of being sustainable, while keeping our commitment to quality.

ARHAUS®

FURNISHING A BETTER WORLD



Retreat Firm

Full 50FRMFL

King 50FRMKG

Queen 50FRMQN

Twin 50FRMTW

BOX SPRING & PLATFORM

Retreat Box Spring Full 50BXSPFL

Retreat Box Spring KG Split 50BXSPKGSPL

Retreat Box Spring QN 50BXSPQN

Retreat Box Spring Twin 50BXSPTW

Retreat Platform Full 50PLATFL

Retreat Platform King Split 50PLATKGSPL

Retreat Platform Queen 50PLATQN

	PLUSH	FIRM	MEMORY	EURO	BOX SPRING	PLATFORM
TWIN	38" w x 74" d x 12" h	38" w x 75" d x 12" h			38" w x 75" d x 8" h	38" w x 75" d x 4" h
FULL	54" w x 75" d x 12" h	54" w x 75" d x 12" h	54" w x 74" d x 10" h	54" w x 75" d x 13" h	54" w x 75" d x 8" h	54" w x 75" d x 4" h
QUEEN	60" w x 80" d x 12" h	60" w x 80" d x 12" h	60" w x 80" d x 10" h	60" w x 80" d x 13" h	60" w x 80" d x 8" h	60" w x 80" d x 4" h
KING	76" w x 80" d x 12" h	76" w x 80" d x 12" h	76" w x 80" d x 10" h	76" w x 80" d x 13" h	38" w x 80" d x 8" h	38" w x 80" d x 4" h

product details

- ▶ Available in king, queen, full and twin sizes.
- ▶ The cover is a soft, quilted cotton material.
- ▶ Features 4" of 1.8 density foam and 35 ILD rating.
- ▶ Marshall unit coils create edge-to-edge sink-in support. All heat-tempered coils, center and quantum edge, are individually wrapped pocket coils. The center coils are 15 GA and the quantum edge coils are 16 GA.
- ▶ Pair with our 8" box spring or our 4" platform.
- ▶ King features 1136 coils.

- ▶ Queen features 932 coils.
- ▶ Full features 778 coils.
- ▶ Twin features 590 coils.

recommended care

- ▶ One-sided; does not need to be flipped.
- ▶ Rotating mattress periodically is recommended.
- ▶ Annual vacuuming will extend the life and cleanliness of this mattress.
- ▶ Mattress pads are recommended.

ARHAUS®

FURNISHING A BETTER WORLD



MEMORY FOAM

retreat mattress collection

made in AMERICA

Memory Foam is a sleep destination for improved circulation and joint relief.

This incredible new technology reacts to heat and pressure, and actually cradles your body. Unlike innerspring beds that “push” your

body up, the sink-in comfort of this mattress means less tossing and turning for a more restful sleep.

BOX SPRINGS AND PLATFORMS

- ▶ Works universally with all mattress options.
- ▶ Offered in an 8" box spring or a 4" platform.
- ▶ Both feature metal corner guards—instead of industry-standard plastic—for longevity.
- ▶ We recommend the 4" platform for our Eurotop.

ABOUT OUR MATTRESS MAKER

We took the same care and consideration that we do for all of our products in creating your Retreat mattress program. Working with a family-owned business, here in the United States, each one is handcrafted one-at-a-time. Any leftover pieces of foam or fabric are collected and sent to a company for re-use as carpet backing. It's our way of being sustainable, while keeping our commitment to quality.

ARHAUS®

FURNISHING A BETTER WORLD



Retreat Memory Foam

Full 50MEFL

King 50MEKG

Queen 50MEQN

BOX SPRING & PLATFORM

Retreat Box Spring Full 50BXSPFL

Retreat Box Spring KG Split 50BXSPKGSPL

Retreat Box Spring QN 50BXSPQN

Retreat Box Spring Twin 50BXSPTW

Retreat Platform Full 50PLATFL

Retreat Platform King Split 50PLATKGSPL

Retreat Platform Queen 50PLATQN

	PLUSH	FIRM	MEMORY	EURO	BOX SPRING	PLATFORM
TWIN	38" w x 74" d x 12" h	38" w x 75" d x 12" h			38" w x 75" d x 8" h	38" w x 75" d x 4" h
FULL	54" w x 75" d x 12" h	54" w x 75" d x 12" h	54" w x 74" d x 10" h	54" w x 75" d x 13" h	54" w x 75" d x 8" h	54" w x 75" d x 4" h
QUEEN	60" w x 80" d x 12" h	60" w x 80" d x 12" h	60" w x 80" d x 10" h	60" w x 80" d x 13" h	60" w x 80" d x 8" h	60" w x 80" d x 4" h
KING	76" w x 80" d x 12" h	76" w x 80" d x 12" h	76" w x 80" d x 10" h	76" w x 80" d x 13" h	38" w x 80" d x 8" h	38" w x 80" d x 4" h

product details

- ▶ Available in king, queen and full sizes.
- ▶ Helps improve circulation and reduces stress on pressure points.
- ▶ Features four inches of memory foam with internal cooling gel. Gel memory foam is the newest technology in foam beds and minimizes the excess heat found in older technologies. Experts recommend at least 3" to receive the full health benefits.
- ▶ Comfort layers: 2", 5 lb. gel memory foam and 3", 3 lb. gel memory foam.
- ▶ Support layer: 5" polycore (all foam mattresses utilize a foam core to support the foam materials).
- ▶ Includes removable zipper cover.
- ▶ Pair with our 8" box spring or our 4" platform.

recommended care

- ▶ One-sided; does not need to be flipped.
- ▶ Rotating mattress periodically is recommended.
- ▶ Annual vacuuming will extend the life and cleanliness of this mattress.
- ▶ Mattress pads are recommended.

ARHAUS®

FURNISHING A BETTER WORLD



PLUSH
retreat mattress collection
made in AMERICA

A cloud-like destination for supreme slumber.

This handcrafted mattress creates more surface area with its edge-spring Marshall unit system. Unlike traditional innerspring systems, our heat-tempered center and quantum edge springs are individually wrapped pocketed coils, which result in a mattress that

is more responsive to movement with edge-to-edge support. Rest easy with less side-to-side transfer of motion, this collection fits to the contours of the body. A final comfort layer has been redesigned to provide support, comfort and cooling.

BOX SPRINGS AND PLATFORMS

- ▶ Works universally with all mattress options.
- ▶ Offered in an 8" box spring or a 4" platform.
- ▶ Both feature metal corner guards—instead of industry-standard plastic—for longevity.
- ▶ We recommend the 4" platform for our Eurotop.

ABOUT OUR MATTRESS MAKER

We took the same care and consideration that we do for all of our products in creating your Retreat mattress program. Working with a family-owned business, here in the United States, each one is handcrafted one-at-a-time. Any leftover pieces of foam or fabric are collected and sent to a company for re-use as carpet backing. It's our way of being sustainable, while keeping our commitment to quality.

ARHAUS®

FURNISHING A BETTER WORLD



Retreat Plush
Full 50PLFL
King 50PLKG
Queen 50PLQN
Twin 50PLTW

BOX SPRING & PLATFORM

Retreat Box Spring Full 50BXSPFL
Retreat Box Spring KG Split 50BXSPKGSPL
Retreat Box Spring QN 50BXSPQN
Retreat Box Spring Twin 50BXSPTW
Retreat Platform Full 50PLATFL
Retreat Platform King Split 50PLATKGSPL
Retreat Platform Queen 50PLATQN

	PLUSH	FIRM	MEMORY	EURO	BOX SPRING	PLATFORM
TWIN	38" w x 74" d x 12" h	38" w x 75" d x 12" h			38" w x 75" d x 8" h	38" w x 75" d x 4" h
FULL	54" w x 75" d x 12" h	54" w x 75" d x 12" h	54" w x 74" d x 10" h	54" w x 75" d x 13" h	54" w x 75" d x 8" h	54" w x 75" d x 4" h
QUEEN	60" w x 80" d x 12" h	60" w x 80" d x 12" h	60" w x 80" d x 10" h	60" w x 80" d x 13" h	60" w x 80" d x 8" h	60" w x 80" d x 4" h
KING	76" w x 80" d x 12" h	76" w x 80" d x 12" h	76" w x 80" d x 10" h	76" w x 80" d x 13" h	38" w x 80" d x 8" h	38" w x 80" d x 4" h

product details

- ▶ Available in king, queen, full or twin sizes.
- ▶ The cover is a soft, quilted cotton material.
- ▶ Features 4 inches of 1.5 density foam and 15 ILD rating.
- ▶ Marshall unit coils create edge-to-edge sink-in support. All heat-tempered coils, center and quantum edge, are individually wrapped pocket coils. The center coils are 15 GA and the quantum edge coils are 16 GA.
- ▶ Pair with our 8" box spring or our 4" platform.
- ▶ King features 1136 coils.
- ▶ Queen features 932 coils.

- ▶ Full features 778 coils.
- ▶ Twin features 590 coils.

recommended care

- ▶ One-sided; does not need to be flipped.
- ▶ Rotating mattress periodically is recommended.
- ▶ Annual vacuuming will extend the life and cleanliness of this mattress.
- ▶ Mattress pads are recommended.

BEDROOM PARTS SKUS

Super Category	Product ID	Description	Collection	Route
BEDROOM	CS1603BDRAIL	1603 BED SIDE RAIL UPHOLSTERED SIDE RAIL	PT-1603	PARGD
BEDROOM	91ADD14GLIDE	ADDISON 14" GLIDE QTY 1 = SET OF 2	PT-ADDISON	PART
BEDROOM	91ADDKGSLT	ADDISON BED SLATS KING	PT-ADDISON	PART
BEDROOM	91ADDQNSLT	ADDISON BED SLATS QUEEN	PT-ADDISON	PART
BEDROOM	91701406	ADDISON ARM BAR BRACKET BLACK	PT-ADDISON	PART
BEDROOM	91378ADDDRGLD	ADDISON ARM DOOR GLIDE QTY 1	PT-ADDISON	PART
BEDROOM	91378ADARMTV	ADDISON ARM TV STAND BRWN	PT-ADDISON	PART
BEDROOM	91378ADDBED	ADDISON BED ASSEMBLY HDW	PT-ADDISON	PART
BEDROOM	45ADDCNTLEG	ADDISON BED CNTR SUPPORT LEG	PT-ADDISON	PART
BEDROOM	91ADDSPRAIL	ADDISON BED CNTR SUPPORT RAIL	PT-ADDISON	PART
BEDROOM	91ADDBRKTSP	ADDISON BRACKET FR CNTR SUPPRT ATTACHES TO 91ADDSPRAIL	PT-ADDISON	PART
BEDROOM	45ADDBRASSLG	ADDISON KNOB BRASS LG FOR JAVA - ALL PIECES	PT-ADDISON	PART
BEDROOM	45ADDBRASSSM	ADDISON KNOB BRASS SM FOR JAVA - NIGHTSTAND TRAY	PT-ADDISON	PART
BEDROOM	45ADDBKNOBL	ADDISON KNOB NICKEL LG NAT, TAUPE, STRAT - ALL PIECES	PT-ADDISON	PART
BEDROOM	45ADDBKNOBS	ADDISON KNOB NICKEL SM NAT, TAUPE, STRAT NIGHTSTAND TRAY	PT-ADDISON	PART
BEDROOM	91ADDGLIDE13	ADDISON LINGERIE DRW GLD 13	PT-ADDISON	PART
BEDROOM	91ADELHW	ADELAIDE BED ASSEMBLY HARDWARE	PT-ADELAID	PART
BEDROOM	91ADELFLMRHS	ADELAIDE FL MIRROR HANGER SET	PT-ADELAID	PART
BEDROOM	91ADELQNHWS	ADELAIDE QUEEN BED ASSEMBLY HW BED ASSEMBLY HARDWARE	PT-ADELAID	PART
BEDROOM	91378AMELKEY	AMELIA ARMOIRE KEY	PT-AMELIA	PART
BEDROOM	911515GLD12	AMELIA GLIDE 12 NIGHTSTAND & WARDROBE	PT-AMELIA	PART
BEDROOM	911515GLD14	AMELIA GLIDE 14 DRESSER AND 3 DRAWER CHEST	PT-AMELIA	PART
BEDROOM	911515AMKNB	AMELIA KNOB NIGHTSTAND CHEST DRESSER WARDROBE	PT-AMELIA	PART
BEDROOM	911515AMROLL	AMELIA WARDROBE DOOR ROLLER SLIDING DOOR ROLLER	PT-AMELIA	PART
BEDROOM	911515AMSHELF	AMELIA WARDROBE SHELF	PT-AMELIA	PART
BEDROOM	911515AMPEG	AMELIA WARDROBE SHELF PEGS 4PC	PT-AMELIA	PART
BEDROOM	911515AMPULL	AMELIA WARDROBE SLID DOOR PULL	PT-AMELIA	PART
BEDROOM	91ARIFBHW	ARIANE FOOTBOARD HARDWARE	PT-ARIANE	PART
BEDROOM	91ARIHBHW	ARIANE HEADBOARD HARDWARE	PT-ARIANE	PART
BEDROOM	91ARIRLHW	ARIANE RAIL HARDWARE	PT-ARIANE	PART
BEDROOM	91AVENCKSLAT	AVENTINE CALI KING BED SLATS	PT-AVENTIN	
BEDROOM	91AVENCKASHW	AVENTINE CK BED ASSEMBLY HW	PT-AVENTIN	
BEDROOM	91AVENCKCTSP	AVENTINE CK BED CNTR SUPPORT	PT-AVENTIN	
BEDROOM	91AVENKGASHW	AVENTINE KING BED ASSEMBLY HW	PT-AVENTIN	
BEDROOM	91AVENKGSLAT	AVENTINE KING BED SLATS	PT-AVENTIN	
BEDROOM	91AVENKGCTSP	AVENTINE KING CENTER SUPPORT	PT-AVENTIN	
BEDROOM	91AVENNTPULL	AVENTINE NT DRAWER 8" PULL 1 PIECE	PT-AVENTIN	
BEDROOM	91AVENNTSLID	AVENTINE NT DRAWER SLIDES 1 = PAIR OF SLIDES	PT-AVENTIN	
BEDROOM	91AVENONTPLL	AVENTINE OPEN NT DRAWER 8" PULL 1 PIECE	PT-AVENTIN	
BEDROOM	91AVENONTSLD	AVENTINE OPEN NT DRAWER SLIDES 1 = PAIR OF SLIDES	PT-AVENTIN	

BEDROOM PARTS SKUS

Super Category	Product ID	Description	Collection	Route
BEDROOM	91AVENQNASHW	AVENTINE QUEEN BED ASSEMBLY HW	PT-AVENTIN	
BEDROOM	91AVENQNSLAT	AVENTINE QUEEN BED SLATS	PT-AVENTIN	
BEDROOM	91AVENQNCTSP	AVENTINE QUEEN CENTER SUPPORT	PT-AVENTIN	
BEDROOM	91AVENTDPULL	AVENTINE TD DRAWER 8" PULL 1 PIECE	PT-AVENTIN	
BEDROOM	91AVENTDSLID	AVENTINE TD DRAWER SLIDES 1 = PAIR OF SLIDES	PT-AVENTIN	
BEDROOM	91AVENWDCTSP	AVENTINE WD CENTER SUPPORT LEG 1 PIECE	PT-AVENTIN	
BEDROOM	91AVENWD6PL	AVENTINE WD DRAWER 6" PULL 1 PIECE	PT-AVENTIN	
BEDROOM	91AVENWD8PL	AVENTINE WD DRAWER 8" PULL 1 PIECE	PT-AVENTIN	
BEDROOM	91AVENWDSLID	AVENTINE WD DRAWER SLIDES 1 = PAIR OF SLIDES	PT-AVENTIN	
BEDROOM	45AVIGVKNBS	AVIGNON NTSTND VINTAGE KNOB SM	PT-AVIGNON	PART
BEDROOM	45AVIGVKNBL	AVIGNON VINTAGE FLOWER KNOB LG QTY 1	PT-AVIGNON	PART
BEDROOM	91BARNBEDHW	BARNETT BED ASSEMBLY HARDWARE	PT-BARNETT	PART
BEDROOM	91BARRHW	BARRISTER PLATFORM BED BOLT 1 BOLT - NEED 8 FOR BED	PT-BARRSTR	PART
BEDROOM	917070EXTEND	RETREAT LEG EXTENDER 2" 4 PACK 4 PC PACK	PT-BDFRAME	PART
BEDROOM	917070STRAP	RETREAT MOTION VELCRO STRAP	PT-BDFRAME	PART
BEDROOM	91BECKKASHW	BECK ASSEMBLY HARDWARE KING	PT-BECK	PART
BEDROOM	91BECKQASHW	BECK ASSEMBLY HARDWARE QUEEN	PT-BECK	PART
BEDROOM	91BECKKGBRKT	BECK BRACKET KING	PT-BECK	PART
BEDROOM	91BECKKGS	BECK KING SLATS BECK KING SLATS	PT-BECK	PART
BEDROOM	45BECKSLT	BECKETT SUPPORT SLAT	PT-BECKETT	PART
BEDROOM	91922BELPLATE	BELMONT DRAWER PULL BK PLT LG BACK PLATE LARGE	PT-BELMONT	PART
BEDROOM	45BELDPBPLSM	BELMONT DRAWER PULL BK PLT SM BACK PLATE SMALL	PT-BELMONT	PART
BEDROOM	91922BELTRAY	Belmont jewelry tray	PT-BELMONT	PART
BEDROOM	91BODHIASMHW	BODHI ASSMBLY HARDWRE KG/QUEEN	PT-BODHI	PART
BEDROOM	91BODHCNTRSP	BODHI BED CENTER SUPPORT	PT-BODHI	
BEDROOM	91BRIDGEBED	BRIDGEPORT BED ASSEMBLY HDW	PT-BRDGPT	PART
BEDROOM	91CARNPULL	CARNEGIE DRAWER PULL	PT-CARNEG	PART
BEDROOM	91CELDRWLINR	CELESTE 8 DRAWER LINER	PT-CELESTE	
BEDROOM	911679CELHND	CELESTE HANDLE 5 PCS HANDLE FOR CELESTE CASE PCS	PT-CELESTE	PART
BEDROOM	911679CELKNB	CELESTE KNOB	PT-CELESTE	PART
BEDROOM	CS07BDKGF	07BD-K3G UPH. F/B REPLACEMENT FOOTBOARD ONLY	PT-DEVER	PARGD
BEDROOM	CS07BDQ3RL	07BD-Q3 SIDE RAIL FABRIC	PT-DEVER	
BEDROOM	CS07BDQ3FB	07BD-Q3 UPH. F/B REPLACEMENT FOOTBOARD ONLY	PT-DEVER	
BEDROOM	91DEVSUPLEG	DEVEREAUX BED SUPPORT LEG USED FOR DEVEREAUX AND FELIX	PT-DEVER	PART
BEDROOM	91DEVBNCHHG	DEVEREAUX BENCH HINGES 2PC 2 HINGES PER SET	PT-DEVER	PART
BEDROOM	91DEVSPRNG	DEVEREAUX BENCH SPRING SPRING ONLY	PT-DEVER	PART
BEDROOM	91378EASTPUL	EASTBOURN DRAWER PULL FRONT	PT-ESTBORN	PART
BEDROOM	91378EASSEM	EASTBOURNE ASSEMBLY HDW PEGS CORD COVER AI	PT-ESTBORN	PART
BEDROOM	91378EBDFLAT	EASTBOURNE BED BRKT BRASS LG	PT-ESTBORN	PART

BEDROOM PARTS SKUS

Super Category	Product ID	Description	Collection	Route
BEDROOM	91378EFLAT	EASTBOURNE BED BRKT BRASS SM	PT-ESTBORN	PART
BEDROOM	91378EASTL	EASTBOURNE BED L BRACK BRASS	PT-ESTBORN	PART
BEDROOM	91378ESTBDL	EASTBOURNE BED PULL LG BRASS	PT-ESTBORN	PART
BEDROOM	91378ESTBDS	EASTBOURNE BED PULL SM BRASS	PT-ESTBORN	PART
BEDROOM	91378ECORNER	EASTBOURNE CONER PLATE BRASS TOP - BRASS CORNER PLATE	PT-ESTBORN	PART
BEDROOM	91378EHINGE	EASTBOURNE DOOR HINGE DROP DWN	PT-ESTBORN	PART
BEDROOM	91378GLDSB	EASTBOURNE DRAWER GLIDES BTM	PT-ESTBORN	PART
BEDROOM	91378GLDSTP	EASTBOURNE DRAWER GLIDES TOP	PT-ESTBORN	PART
BEDROOM	91378EASTROD	EASTBOURNE FILE ROD SET	PT-ESTBORN	PART
BEDROOM	91378EASTSPUL	EASTBOURNE INSIDE DRW PULL SM	PT-ESTBORN	PART
BEDROOM	91378ELBRACKET	EASTBOURNE L BRACKET BRASS BRASS L BRACKET ON SIDES	PT-ESTBORN	PART
BEDROOM	91378ELIDSTAY	Eastbourne lid stay	PT-ESTBORN	PART
BEDROOM	91378MAG	EASTBOURNE MAGNETIC DOOR CTCH	PT-ESTBORN	PART
BEDROOM	91378ESHelf	Eastbourne shelf	PT-ESTBORN	PART
BEDROOM	91378EASTPULSD	EASTBOURNE SIDE HANDLE BRASS	PT-ESTBORN	PART
BEDROOM	91EVANHW	EVANSTON BED ASSEMBLY HARDWARE ALL SIZES	PT-EVANSTN	PART
BEDROOM	91EVANFLSLT	EVANSTON BED SLATS FULL	PT-EVANSTN	PART
BEDROOM	91EVANKGSLT	EVANSTON BED SLATS KING	PT-EVANSTN	PART
BEDROOM	91EVANQNSLT	EVANSTON BED SLATS QUEEN	PT-EVANSTN	PART
BEDROOM	91EVANTWSLT	EVANSTON BED SLATS TWIN	PT-EVANSTN	PART
BEDROOM	91EVANLEG	EVANSTON BED SUPPORT LEG	PT-EVANSTN	PART
BEDROOM	91511EVEHW	EVELYN BED ASSEMBLY HDW	PT-EVELYN	PART
BEDROOM	91EVENAIL	EVELYN BED NAIL DECORATIVE NAIL ON HB/FB	PT-EVELYN	PART
BEDROOM	91EVMIRN	EVELYN CHEVAL MIR RING/LOCK NB	PT-EVELYN	PART
BEDROOM	91EVMIR	EVELYN CHEVAL MIRROR RING/LOCK	PT-EVELYN	PART
BEDROOM	91EVEGLD	EVELYN DRAWER GLIDES SET OF 2	PT-EVELYN	PART
BEDROOM	91EVEKNOB	EVELYN KNOB - ALL FINISHES ANTIQUE FINISH KNOB	PT-EVELYN	
BEDROOM	91FELIXSUPLEG	FELIX BED SUPPORT LEG	PT-FELIX	PART
BEDROOM	91FELIXSHW	FELIX STORAGE BED ASSEMBLY HW	PT-FELIX	PART
BEDROOM	91FELIXGLIDE	FELIX STORAGE BED GLIDE	PT-FELIX	PART
BEDROOM	91GENBED	GENEVIEVE BED ASSEMBLY HDW	PT-GENEV	PART
BEDROOM	91GENKNB	GENEVIEVE KNOB NIGHTSTAND AND DRESSER KNOB	PT-GENEV	PART
BEDROOM	91GENPUL	GENEVIEVE WIDE DRESS DROP PULL	PT-GENEV	PART
BEDROOM	91511HARCOURT	HARCOURTE BED ASSEMBLY HDW	PT-HARCORT	PART
BEDROOM	91511JWCTCH	HARCOURTE JWELRY CHEST DOOR CTCH	PT-HARCORT	PART
BEDROOM	91511JWPHNG	HARCOURTE JWELRY CHEST HINGE TOP SET	PT-HARCORT	PART
BEDROOM	91511HARPEN	HARCOURTE PENDANT HANDLE	PT-HARCORT	PART
BEDROOM	91511HARWDHNG	Harcourte wardrobe hinge	PT-HARCORT	PART
BEDROOM	91HAWKNB	HAWTHORNE KNOB	PT-HAWTHRN	PART
BEDROOM	91HAWLOCK	HAWTHORNE LOCK	PT-HAWTHRN	PART
BEDROOM	91HENLEYGLID	HENLEY GLIDE	PT-HENLEY	PART
BEDROOM	91HENLEYKNOB	HENLEY KNOB KNOB FOR WD, NT, TD	PT-HENLEY	PART
BEDROOM	91HOULEGPAD	SUPPORT LEG PAD QTY 1 = 6 PCS	PT-HOUGH	PART

BEDROOM PARTS SKUS

Super Category	Product ID	Description	Collection	Route
BEDROOM	911515ISLA16	ISLA DRAWER GLIDE 16" SET 7 DRAWER CHEST AND 2/4 CHEST	PT-ISLA	PART
BEDROOM	91ISLAMAGNET	ISLA JEWELRY CHEST MAGNET RT RIGHT SIDE	PT-ISLA	PART
BEDROOM	911515KNOBLG	ISLA KNOB LG 2 DRW, 7 DRW, 2/4 CHEST, NIGHT	PT-ISLA	PART
BEDROOM	911515KNOBSM	ISLA KNOB SM DESK, SD TABLE, 3 DRW, 2/4 CHS	PT-ISLA	PART
BEDROOM	911515ISLA12	ISLA SIDE TABLE DRWR GLIDE 12	PT-ISLA	PART
BEDROOM	91KIERARMHNG	KIERAN ARMOIRE DOOR HINGE	PT-KIERAN	PART
BEDROOM	91652LANDPULL	Landon drawer pull	PT-LANDON	PART
BEDROOM	91LANGLEYAH	LANGLEY BED ASSEMBLY HDW ALL SIZES/COLORS	PT-LANGLEY	PART
BEDROOM	91LAWSHW	LAWSON ASSEMBLY HARDWARE	PT-LAWSON	PART
BEDROOM	91LAWSGLIDE2	LAWSON GLIDES FOR NT AND SNT	PT-LAWSON	PART
BEDROOM	91LAWSGLIDE1	LAWSON GLIDES FOR WD AND TD	PT-LAWSON	PART
BEDROOM	91LENANTITIP	LENOX ANTI TIP KIT 1 SET/BAG	PT-LENOX	PART
BEDROOM	91LENOXASMHW	LENOX ASSEMBLY HW FOR KG QN 1 SET = 1 POLY BAG	PT-LENOX	
BEDROOM	91LENAHK	LENOX BED ASSEMBLY HARDWARE KIT FOR QUEEN AND KING BED	PT-LENOX	PART
BEDROOM	91LENFAB	LENOX FABRIC FOR CLEANING	PT-LENOX	PART
BEDROOM	91LENKNOB	LENOX KNOB WIDE DRESSER, CHEST, NIGHTSTAN	PT-LENOX	PART
BEDROOM	91LENOXKNOB	LENOX KNOB FOR NT, WD, TD 1 PC & SCREWS = 1 POLY BAG	PT-LENOX	
BEDROOM	91LENMCL	LENOX METAL CAP FOR LEG	PT-LENOX	PART
BEDROOM	91LENMRHW	LENOX MIRROR HANGING HW 1 SET/BAG	PT-LENOX	PART
BEDROOM	91LENUG12	LENOX UNDERMOUNT GLIDE 12' GLIDE FOR LENOX NIGHTSTAND	PT-LENOX	PART
BEDROOM	91LENUG14	LENOX UNDERMOUNT GLIDE 14 GLIDE FR LENOX TALL CHST & WD	PT-LENOX	PART
BEDROOM	91LENKEY	LENOX WIDE DRESSER KEY	PT-LENOX	PART
BEDROOM	91LINCKGHW	LINCOLN BED ASSEMBLY HW KING	PT-LINCOLN	PART
BEDROOM	91LINCQNHW	LINCOLN BED ASSEMBLY HW QUEEN	PT-LINCOLN	PART
BEDROOM	91LINCKGWDLG	LINCOLN KG FLANIGN SLAT WD LGS 4 WOOD LEGS	PT-LINCOLN	
BEDROOM	91LINCQNWDLG	LINCOLN QN FLANIGN SLAT WD LGS 4 WOOD LEGS	PT-LINCOLN	
BEDROOM	91LINCTFKWDLG	LINCOLN TUES FOG KG WOOD LEGS 4 WOOD LEGS	PT-LINCOLN	
BEDROOM	91LINCTFQWDLG	LINCOLN TUES FOG QN WOOD LEGS 4 WOOD LEGS	PT-LINCOLN	
BEDROOM	91LORECKSLAT	LOREN CALI KING BED SLATS	PT-LOREN	
BEDROOM	91LORECKCTSP	LOREN CK BED CENTR SUPPORT LEG	PT-LOREN	
BEDROOM	91LORENASHW	LOREN KING & CK ASSEMBLY HW 1 PACK	PT-LOREN	
BEDROOM	91LOREKGLAT	LOREN KING BED SLATS	PT-LOREN	
BEDROOM	91LOREKGCTSP	LOREN KING CENTER SUPPORT LEG	PT-LOREN	
BEDROOM	91LORENTPULL	LOREN NT DRAWER PULL 1 PIECE	PT-LOREN	
BEDROOM	91LORENTSLID	LOREN NT DRAWER SLIDES 1 = PAIR OF SLIDES	PT-LOREN	
BEDROOM	91LOREONTPLL	LOREN OPEN NT DRAWER PULL 1 PIECE	PT-LOREN	
BEDROOM	91LOREONTSLD	LOREN OPEN NT DRAWER SLIDES 1 = PAIR OF SLIDES	PT-LOREN	
BEDROOM	91LORENQASHW	LOREN QUEEN ASSEMBLY HW 1 PACK	PT-LOREN	

BEDROOM PARTS SKUS

Super Category	Product ID	Description	Collection	Route
BEDROOM	91LOREQNSLAT	LOREN QUEEN BED SLATS	PT-LOREN	
BEDROOM	91LOREQNCTSP	LOREN QUEEN CENTER SUPPORT LEG	PT-LOREN	
BEDROOM	91LORETDPULL	LOREN TD DRAWER PULL 1 PIECE	PT-LOREN	
BEDROOM	91LORETDSLID	LOREN TD DRAWER SLIDES 1 = PAIR OF SLIDES	PT-LOREN	
BEDROOM	91LORETDJWTR	LOREN TD JEWELRY TRAY 1 PIECE	PT-LOREN	
BEDROOM	91LOREWDCTSP	LOREN WD CENTER SUPPORT LEG 1 PIECE	PT-LOREN	
BEDROOM	91LOREWDPLL	LOREN WD DRAWER PULL 1 PIECE	PT-LOREN	
BEDROOM	91MADHW	MADALINE DAYBED ASSEMBLY HDW	PT-MADALN	PART
BEDROOM	91MANDARAKHW	MANDARA KING BED ASSEMBLY HW	PT-MANDARA	PART
BEDROOM	91MANDARAQHW	MANDARA QUEEN BED ASSEMBLY HW	PT-MANDARA	PART
BEDROOM	91MAYAKGHW	MAYA ASSEMBLY HW KING	PT-MAYA	PART
BEDROOM	91MAYAQNHW	MAYA ASSEMBLY HW QUEEN	PT-MAYA	PART
BEDROOM	91RLEGPLB4PACK	MOTION BASE LEGS LEGS FOR RAVANTE50 (97QNMTBS)	PT-MTNBASE	PART
BEDROOM	911515NEWBD	NEWPORT BED ASSEMBLY HDW	PT-NEWPORT	PART
BEDROOM	911515PULLN	NEWPORT DRAWER PULL NAT	PT-NEWPORT	PART
BEDROOM	911515PULLW	NEWPORT DRAWER PULL WHT	PT-NEWPORT	PART
BEDROOM	91NEWPFMHW	NEWPORT FLOOR MIRROR HDW HANGING HARDWARE	PT-NEWPORT	PART
BEDROOM	91NEWPMHW	NEWPORT WALL MIRROR HDW HANGING HARDWARE	PT-NEWPORT	PART
BEDROOM	91NIKATIPKT	NIKA ANTI-TIP KIT	PT-NIKA	
BEDROOM	91NIKAASHW	NIKA BEDROOM ASSEMBLY HARDWARE	PT-NIKA	
BEDROOM	91NIKAGLIDE	NIKA CASE PIECE GLIDES	PT-NIKA	
BEDROOM	91NIKAPULL	NIKA DRAWER PULLS	PT-NIKA	
BEDROOM	9114BD-K2N	NOLAN BED WOODEN SLAT KING	PT-NOLAN	PART
BEDROOM	9114BD-Q2N	NOLAN BED WOODEN SLAT QUEEN	PT-NOLAN	PART
BEDROOM	91511PALMBD	PALMER BED ASSEMBLY HDW	PT-PALMER	PART
BEDROOM	45PALMCTRLEG	PALMER BED CNTR LEG	PT-PALMER	PART
BEDROOM	91PALMDOWEL	PALMER BED DOWEL ROD QTY 1	PT-PALMER	PART
BEDROOM	91PALMRGLDLG	PALMER BED GLIDE LARGE FOR PALMER BED ONLY	PT-PALMER	PART
BEDROOM	91511PALLGFT	PALMER BED PLASTIC FOOT	PT-PALMER	PART
BEDROOM	91PALMKGSLT	PALMER BED SLATS KING	PT-PALMER	PART
BEDROOM	91PALMQNSLT	PALMER BED SLATS QUEEN	PT-PALMER	PART
BEDROOM	91PALMKSCS	PALMER BED STOR CNTR SUPPRT KG	PT-PALMER	PART
BEDROOM	91PALMRGLIDE	PALMER DRAWER GLIDE PALMER DRAWER GLIDE	PT-PALMER	PART
BEDROOM	91511PALMPUL	PALMER DRAWER PULL FOR BROWN AND MANGO	PT-PALMER	PART
BEDROOM	91PALMNTGLIDE	PALMER NIGHTSTAND GLIDE PALMER BEDROOM	PT-PALMER	PART
BEDROOM	91511PALSMFT	PALMER PLASTIC FOOT FOR ALL PALMER PIECES	PT-PALMER	PART
BEDROOM	91PALMSASHW	PALMER STORAGE BED ASSEMBLY HW ALL SIZES	PT-PALMER	
BEDROOM	91PALMTBLFT	PALMER TABLE PLASTIC FEET PLASTIC LEG CAP	PT-PALMER	PART
BEDROOM	91PEARKNOB	PEARSON KNOB	PT-PEARSON	
BEDROOM	91PEARLGKNOB	PEARSON LARGE KNOB - ANTIQUE BASTIAN BROWN FINISH ONLY	PT-PEARSON	

BEDROOM PARTS SKUS

Super Category	Product ID	Description	Collection	Route
BEDROOM	91PEARLGKNBN	PEARSON LARGE KNOB - NICKEL NATURAL, STRATUS & FOG	PT-PEARSON	
BEDROOM	91PEARSMKNOB	PEARSON SMALL KNOB - ANTIQUE BASTIAN BROWN FINISH ONLY	PT-PEARSON	
BEDROOM	91PEARSMKNBN	PEARSON SMALL KNOB - NICKEL NATURAL, STRATUS & FOG	PT-PEARSON	
BEDROOM	91PERCYGKNOB	PERCY GRAPHITE KNOB 1 PACK = 2 KNOBS	PT-PERCY	
BEDROOM	91PERCYKNOB	PERCY KNOB - GRAPHITE FINISH KNOB FOR PERCY GRAPHITE	PT-PERCY	PART
BEDROOM	91PERCYNKNOB	PERCY NICKEL DRAWER KNOB 1 PACK = 2 KNOBS	PT-PERCY	
BEDROOM	911137PLUMB	PLUME KNOB BRASS	PT-PLUME	PART
BEDROOM	911137PLUMG	PLUME KNOB GRAPHITE	PT-PLUME	PART
BEDROOM	91PORTGLD14	PORTIER DRAWER GLIDE 14	PT-PORTIER	PART
BEDROOM	91PORTGLD16	PORTIER DRAWER GLIDE 16	PT-PORTIER	PART
BEDROOM	91PORTLG	PORTIER DRAWER PULL - LG	PT-PORTIER	PART
BEDROOM	91PORTSM	PORTIER DRAWER PULL - SM	PT-PORTIER	PART
BEDROOM	911515RAINBD	RAINIER BED ASSEMBLY HDW	PT-RAINIER	PART
BEDROOM	911515RAINKB	RAINIER DRAWER KNOB	PT-RAINIER	PART
BEDROOM	911515FLRMIR	RAINIER FLOOR MIRROR MOUNT HW	PT-RAINIER	PART
BEDROOM	91REESANTITP	REESE ANTI TIP KIT	PT-REESE	PART
BEDROOM	91REESE12INCH	REESE DRAWER GLIDE 12	PT-REESE	PART
BEDROOM	91REESE14INCH	REESE DRAWER GLIDE 14	PT-REESE	PART
BEDROOM	45REESDSK	REESE DSK ASSEMBLY HDW	PT-REESE	PART
BEDROOM	91REESESH	REESE JWLRY CHST HINGE SD DR SIDE DOOR HINGE	PT-REESE	PART
BEDROOM	91REESELH	REESE JWLRY CHST HINGE TOP PNL LONG TOP PANEL HINGE	PT-REESE	PART
BEDROOM	91REESEJCHK	REESE JWLRY CHST HOOK NECK	PT-REESE	PART
BEDROOM	91REESESUPRT	REESE JWLRY SPRING TENSION ARM METAL	PT-REESE	PART
BEDROOM	91REESEKNOB	REESE KNOB NT, DRESSERS AND JEWEL CHEST	PT-REESE	PART
BEDROOM	91REESEKNOB2	REESE KNOB DESK AND 3D CABINET	PT-REESE	PART
BEDROOM	91REESEWASHR	REESE PLASTIC WASHER 50 MOO	PT-REESE	PART
BEDROOM	91REESMFRTGL	WIDE DRSR FRNT TOP GLASS MIRR ANTIQU MIRROR	PT-REESE	PART
BEDROOM	91RIGBKGCS	RIGBY KG BED CENTR SUPPRT LEGS	PT-RIGBY	
BEDROOM	91RIGBKGHW	RIGBY KING BED ASSEMBLY HW	PT-RIGBY	
BEDROOM	91RIGBQNCS	RIGBY QN BED CENTR SUPPRT LEGS	PT-RIGBY	
BEDROOM	91RIGBQNHW	RIGBY QUEEN BED ASSEMBLY HW	PT-RIGBY	
BEDROOM	91RUSSHANDLE	RUSSELL 6 DRAWER HANDLES	PT-RUSSELL	PART
BEDROOM	91RUSSHW	RUSSELL ASSEMBLY HARDWARE FOR QUEEN AND KING BED	PT-RUSSELL	PART
BEDROOM	91378RUS450	RUSSELL DRAWER RUNNER	PT-RUSSELL	PART
BEDROOM	91378RWSHLF	RUSSELL WDRB SHELF	PT-RUSSELL	PART
BEDROOM	91313LUCIAHW	ST LUCIA BED ASSEMBLY HW ST LUCIA AND EVANSTON ASSEMBLY HW	PT-STLUCIA	PART
BEDROOM	91313LUCIALEG	ST LUCIA BED LEGS ST LUCIA AND EVANSTON	PT-STLUCIA	PART
BEDROOM	91LUCIAFLSLT	ST LUCIA BED SLATS FULL	PT-STLUCIA	PART
BEDROOM	91LUCIAKSLT	ST LUCIA BED SLATS KING	PT-STLUCIA	PART
BEDROOM	91LUCIATWSLT	ST LUCIA BED SLATS TWIN	PT-STLUCIA	PART

BEDROOM PARTS SKUS

Super Category	Product ID	Description	Collection	Route
BEDROOM	91TINSLEYFTG	TINSLEY ADJUST FOOT GLIDE 4 PC SET OF 4 - 1 PIECE	PT-TINSLEY	PART
BEDROOM	91TINSLEYHW	TINSLEY ASSEMBLY HARDWARE SET	PT-TINSLEY	PART
BEDROOM	91TINSLEYTIP	TINSLEY CASE ANTI TIP KIT	PT-TINSLEY	PART
BEDROOM	91TINSLEYMS	TINSLEY CASE DRWR METAL SLIDES 1 SET	PT-TINSLEY	PART
BEDROOM	91TINSLEYPUL	TINSLEY CASE RNG PULL BRASS	PT-TINSLEY	PART
BEDROOM	91TINSLEYCSL	TINSLEY CENTR SLAT W/ FT GLIDE 1 PIECE	PT-TINSLEY	PART
BEDROOM	91TINSLEYSLT	TINSLEY SLAT KING 9 PC	PT-TINSLEY	PART
BEDROOM	91TINSLEYQST	TINSLEY SLAT QUEEN 9PC	PT-TINSLEY	PART
BEDROOM	91TREMONTWH	TREMONT BED ASSEMBLY HDW KQF NON-STOR ALL SIZES EXCPT TWIN	PT-TREMONT	PART
BEDROOM	91TREMTHWH	TREMONT BED ASSEMBLY HW TWIN TREMONT NON-STORAGE TWIN ONLY	PT-TREMONT	PART
BEDROOM	91TREMFLSLT	TREMONT BED SLATS FULL	PT-TREMONT	PART
BEDROOM	91TREMKGSLT	TREMONT BED SLATS KING	PT-TREMONT	PART
BEDROOM	91TREMQNSLT	TREMONT BED SLATS QUEEN	PT-TREMONT	PART
BEDROOM	91TREMTHWSLT	TREMONT BED SLATS TWIN	PT-TREMONT	PART
BEDROOM	45CONNCAM	TREMONT CAM CONNECTOR	PT-TREMONT	PART
BEDROOM	45CAMLKSCREW	TREMONT CAM LOCK SCREW	PT-TREMONT	PART
BEDROOM	91TREMDBRNLH	TREMONT HANDLE LEATHER FOR BRN TREMONT BROWN FINISH	PT-TREMONT	PART
BEDROOM	91TREMBRNLH	TREMONT HANDLE LTHR FOR BLK/NA TREMONT BLK & NAT FINISH	PT-TREMONT	PART
BEDROOM	45TRESTGSLEG	TREMONT STOR BED SUPPRT LEG 1 SET IS 3 SUPPORT LEGS	PT-TREMONT	PART
BEDROOM	91378STOBED	TREMONT STORAGE BED ASSEMBY HW ALL TREMONT STORAGE BED SIZES	PT-TREMONT	PART
BEDROOM	45378TREKNB	TREMONT WARD DRAWER KNOB	PT-TREMONT	PART
BEDROOM	91TREMWBAR	TREMONT WARDROBE CLOTHING BAR FOR ALL FINISHES	PT-TREMONT	PART
BEDROOM	91TREMSHFBL	TREMONT WARDROBE SHELF BLACK	PT-TREMONT	PART
BEDROOM	91TREMSHFBR	TREMONT WARDROBE SHELF BROWN	PT-TREMONT	PART
BEDROOM	91378350MM	DRAWER RUNNER 350MM UNDERMOUNT	PT-UNIV	PART
BEDROOM	91378BAU400	DRAWER RUNNER 400MM	PT-UNIV	PART
BEDROOM	91CS-SG	MATTRESS RETAINER CLIPS 2 PC	PT-UNIV	PART
BEDROOM	911603HOOK	RAIL BRACKET AND HOOK SET BRACKET / HOOK FOR 14BD-Q4R	PT-UNIV	PART
BEDROOM	91KINGSLATS	KING BED SLATS ANDES MARIH FELX NOLN DEV HAYW	PT-UPHBEDS	
BEDROOM	91QNSLATS	QUEEN BED SLATS ANDES MARIH FELX NOLN DEV HAYW	PT-UPHBEDS	
BEDROOM	911091HINGE	VIVALDI CUR HINGE CURIO HINGE	PT-VIVALDI	PART
BEDROOM	911091HANDLE	VIVALDI CURIO HANDLE	PT-VIVALDI	PART
BEDROOM	911091VIVSHLF	VIVALDI CURIO SHELVES GLASS	PT-VIVALDI	PART

BEDROOM PARTS SKUS

Super Category	Product ID	Description	Collection	Route
BEDROOM	91378350MM	DRAWER RUNNER 350MM UNDERMOUNT	PT-UNIV	PART
BEDROOM	91378BAU400	DRAWER RUNNER 400MM	PT-UNIV	PART
BEDROOM	91CS-SG	MATTRESS RETAINER CLIPS 2 PC	PT-UNIV	PART
BEDROOM	911603HOOK	RAIL BRACKET AND HOOK SET BRACKET / HOOK FOR 14BD-Q4R	PT-UNIV	PART
BEDROOM	91KINGSLATS	KING BED SLATS ANDES MARIH FELX NOLN DEV HAYW	PT-UPHBEDS	
BEDROOM	91QNSLATS	QUEEN BED SLATS ANDES MARIH FELX NOLN DEV HAYW	PT-UPHBEDS	